



---

SPORTS & OUTDOORS



## LUXURY AIR BED

---

### INSTRUCTION MANUAL

IMPORTANT INSTRUCTIONS - RETAIN FOR FUTURE USE.

# CONTENTS

<b>EN</b>	Safety Instructions .....	Page 3
	Symbols Explained .....	Page 7
	Specifications .....	Page 7
	Operating Instructions .....	Page 7
	Frequently Asked Questions .....	Page 9
	Storage .....	Page 10
	Cleaning and Maintenance .....	Page 10
	Important Advice .....	Page 10
	Recycling and Disposal .....	Page 11



LUXURY AIR BED  
MODEL AE-ABD02

Thank you for choosing to purchase a product from Active Era. Please read the entire manual carefully prior to first use and keep in a safe place for future reference.

## SAFETY INSTRUCTIONS

---

### PLEASE READ AND SAVE THESE IMPORTANT SAFETY INSTRUCTIONS.

When using electrical appliances, basic safety precautions should always be followed to reduce risk of fire, electric shock, and injury to persons, including the following:

**⚠ WARNING: To avoid the risk of electrical shock, fire or injury to people, always make sure the appliance is unplugged from the electrical outlet before relocating, servicing, or cleaning it.**

**⚠ CAUTION: Do not use the pump continuously for over 10 minutes. Wait 5 minutes before each repeated use.**

- Do not immerse the air bed in water or any other liquids.
- This product is not a toy. Children must not be left unattended when using the air bed.
- Never leave the appliance unattended while in use.
- Always turn the appliance off and disconnected from the power supply when not in use.
- Avoid placing the appliance in areas where it can become a tripping hazard.
- Avoid placing the power cord in areas where it can become a tripping hazard. Do not place the power cord under carpeting or cover it with rugs, runners or similar.
- Do not let children use the air pump.
- There may be trace of odour during the first few minutes of initial use. This is normal and will quickly disappear.
- This appliance is intended for indoor household use and similar applications. Do not use outdoors.
- Do not cover the appliance whilst in use.

- Use this appliance only as described in this manual. Any other use not recommended by the manufacturer may cause fire, electric shock, or injury to person.
- Always unplug the appliance when not in use.
- Keep the appliance out of reach of children and pets.
- Do not leave children alone or unattended in the area where the appliance is in use.
- Children must be supervised not to play with the appliance.
- Cleaning and user maintenance shall not be made by children unless continuously supervised.
- The appliance is not to be used by persons (including children) with reduced physical, sensory or mental capabilities, or lack of experience and knowledge, unless they have been given supervision or instruction.
- The appliance must have a minimum 50cm clearance around all sides.
- Never leave the appliance unattended while in use. Always turn the appliance off and disconnected from the power supply when not in use.
- Avoid placing the power cord in areas where it can become a tripping hazard. Do not place the power cord under carpeting or cover it with rugs, runners or similar.
- Place the appliance on a flat, stable and dry surface and always keep the appliance in an upright position. Operating the appliance in any other position could cause a hazard.
- Never place anything on top of the appliance.
- Ensure that the mains supply (including voltage, frequency and power) complies with the rating label of the appliance.
- There may be trace of odour during the first few minutes of initial use. This is normal and will quickly disappear.
- Do not cover, obstruct or push objects into the vents and opening of the appliance as this may cause an electric shock, fire or damage the appliance.
- Do not operate the appliance with wet hands.
- Do not use this appliance near water or in the immediate

surroundings of a bath, shower or a swimming pool. Never place the appliance where it may fall into a bathtub or other water container.

- This appliance is intended for indoor household use and similar applications. Do not use outdoors.
- Do not use the appliance near petrol, paints, flammable gases, ovens, or other heating sources.
- The mains cable should not hang down from the surface on which the appliance is placed in order to prevent the appliance from being pulled down.
- To avoid a circuit overload when using this appliance, do not operate another high-wattage appliance on the same electrical circuit.
- Always plug the appliance directly into a wall socket. Avoid using extension leads where possible as they may overheat and cause a risk of fire.
- Do not use this appliance with an external programmer, timer switch or any other device which would switch the appliance on automatically unless this has already been pre-built into the appliance by the manufacturer.
- Do not pull on the power cord. Never move, carry, or hang the appliance by the power cord.
- Do not kink or wrap the power cord and plug around the appliance, as this may cause the insulation to weaken or split, particularly where it enters the appliance.
- Ensure the mains cable is fully extended before use and arrange it so that it is not in contact with any part of the appliance.
- Do not operate the appliance with any safety guards removed.
- Do not operate the appliance if there are any signs of damage to the appliance or accessories supplied.
- Do not attempt to repair or adjust any electrical or mechanical elements in the appliance. Doing so may be unsafe and will void your warranty.
- The appliance is only to be used with the power adapter provided. Do not use other chargers or power adapters as this may damage the appliance.

- Do not operate the appliance without the air filter
- Do not operate or expose the air pump to wet environments such as rain or water.
- Never insert fingers or metal objects into the air pump suction and exhaust openings.
- Do not obstruct the air passage opening or insert any objects into the air passage opening.
- Do not get flocked surface wet. If this becomes wet, remove any bedsheets or cloths and allow to air dry.
- Do not use the air pump for more than 5 consecutive minutes at a time. Allow the air pump to cool down for 20 minutes before each repeated use. The air pump is designed to fully inflate your air bed within 2-3 minutes. The pump will automatically turn OFF if overheating occurs. This is designed for your safety.
- Never introduce any flammable substance into the inflatable air bed, such as aerosol tire repair products, as it may ignite or explode.







**⚠ WARNING: RISK OF SUFFOCATION.** Infants have suffocated on inflatable air beds. Never place an infant 15 months or younger to sleep on this inflatable air bed. Infants can suffocate on an under-inflated or deflated air bed, on bedding, by co-sleeping with another person, and by entrapment between the air bed and a vertical surface. Children can be entrapped between the inflatable air bed and an adjacent vertical surface. Provide at least a shoulder width space between the inflatable air bed and the adjacent vertical surfaces such as walls, dressers, or other objects. Always keep the inflatable air bed fully inflated when in use.

- Do not attempt to repair or adjust any electrical or mechanical elements in the appliance. Doing so may be unsafe and will void your warranty.
- Use the air bed only as a mattress. Do not walk, stand, jump or use the air bed as a trampoline.
- Avoid sleeping on the edge of the air bed. Edges produce less support than the middle of the air bed.

- This air bed is not a buoyancy aid, lifebuoy or life saving device. Do not use it on or near water.
- Do not set up the air bed near stairs, doors, sharp edges or breakable objects. Provide adequate space between the air bed and objects to avoid entrapment. Make sure the area is flat, smooth, even and free of sharp objects that could puncture the air bed.
- Keep pets away from the air bed. Pets may puncture the surface of the air bed.
- Ensure the air pump suction and exhaust openings remain free of dust and debris.

### SYMBOLS EXPLAINED

	For indoor use only.		Please read instruction manual and retain for future use.
	Equipment complies with the applicable UK safety requirements and regulations.		Equipment complies with the applicable EU safety requirements and regulations.

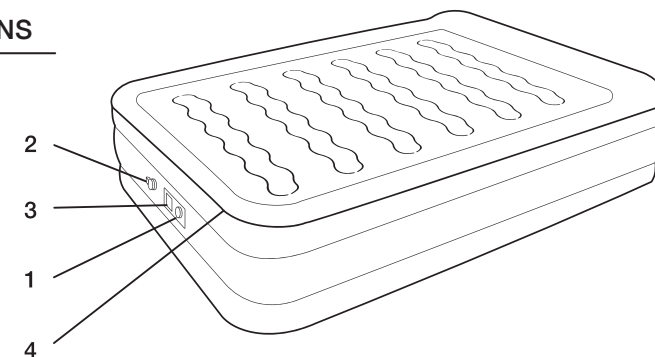
### SPECIFICATIONS

Dimensions: 137 x 195 x 53cm  
 Weight: 8.45kg  
 Power: 150W  
 Voltage: 220-240V~  
 Frequency: 50/60Hz

### OPERATING INSTRUCTIONS

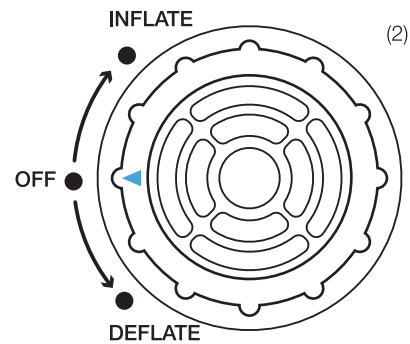
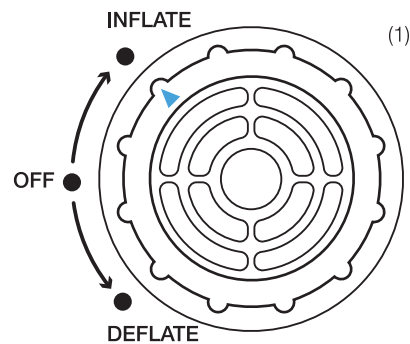
#### Parts

1. Control dial
2. Manual valve
3. Power cord compartment cover
4. Air Bed



## Inflation

1. Choose a flat, indoor surface large enough to accommodate the inflated air bed.
2. Remove any sharp or pointy objects on or near the surface.
3. Lay the air bed out with the bottom surface touching the floor.
4. Open the cover at the side of the air bed where the power cord is stored.
5. Make sure the manual inflation valve is closed.
6. Plug the power cord into an electrical outlet.
7. Turn the control dial clockwise until the arrow points to INFLATE (Image 1).
8. The single and twin air bed will take up to 2 minutes to inflate. The queen and king size air bed will take up to 3 minutes to inflate.
9. When the airbed is fully inflated, turn the control dial one click anti-clockwise until the arrow points to OFF (Image 2).
10. Lie down on the air bed to test the firmness. If too soft, repeat steps 7 – 9 as necessary.
11. Unplug the cord and store in the power cord compartment.

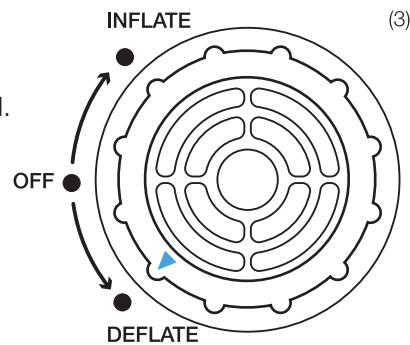


## Inflation Option

If electrical power is not available, then a conventional foot or manual operated air pump can be connected to the air bed.

## Deflation

1. Open the cover at the side of the air bed where the power cord is stored.
2. Make sure the manual inflation valve is closed.
3. Plug the power cord into an electrical outlet.
4. Turn the control dial anti-clockwise until the arrow points to DEFLATE (Image 3).
5. The air bed will take up to 3-4 minutes to deflate.
6. When the air bed is fully deflated, turn the control dial one click clockwise until the arrow points to OFF.



7. Unplug the cord and store in the power cord compartment.

## FREQUENTLY ASKED QUESTIONS

### Why is my air bed deflating?

There are a few reasons your air bed may be losing air:

- **First Uses:** During its first few uses, your Active Era Air Bed may sag and require additional inflation to maintain its desired firmness. This is because stretching is a natural characteristic of new vinyl and is normal for the first few days of use. Inflate your air bed at least 30 minutes prior to first use and top up as required to allow the air bed to stretch to its natural shape.
- **Normal Use:** All air beds are designed to lose a small amount of air through their seams during use to reduce the risk of tears and bursting when pressure is added. This also helps to prevent over-inflation.
- **Increased Pressure:** Your air bed may be deflating because the weight limit has been exceeded. Most of our air beds have a weight limit of 250kgs or 550lb. Please check the product page or the specifications in your instruction manual for product specific weight limits.
- **Varying Temperatures:** Air inside the air mattress can expand or contract when exposed to hot or cold temperatures. At cold temperatures, air naturally contracts inside the air bed and can lead to sagging. If deflation occurs, pump some more air into the mattress. At hot temperatures, air can expand inside the air bed and it will become hard and in extreme circumstances, burst. Release air to avoid damage to your air bed. Where possible, aim to keep surrounding temperatures consistent during use.
- **Puncture:** Your air bed may be deflating because it has a puncture.

### How do I find a puncture?

To find a puncture, please follow these steps:

1. Fill a spray bottle with soapy water e.g. washing up liquid.
2. Inflate your air bed fully and unplug the power cord from the mains power supply.
3. Spray the surface of the inflated air mattress, avoiding the air pump and electrical components.
4. Visually inspect the air bed. If there is a puncture, bubbles will start to form over the puncture as air starts to leak out.

5. Wipe your air bed dry with a soft dry cloth.
6. Repair your puncture with the provided puncture kit.

## STORAGE

---

1. Deflate the airbed following the 'deflation' instructions.
2. Make sure the airbed is clean and dry.
3. Lay bed flat with sleeping surface facing upwards. Fold the airbed loosely and avoid sharp bends, corners and creases which can damage the airbed.
4. Store the air bed in cool and dry location.
5. To store your product, we recommend using the original or a similar-sized box.
6. Store the appliance in a safe, clean and dry place, away from direct sunlight and out of reach of children when not in use.

## CLEANING AND MAINTENANCE

---

- ⚠ **WARNING: Always turn the appliance OFF and unplug the power cord from the electrical outlet before handling or cleaning it.**
- ⚠ **CAUTION: Do not allow water or other liquids to run into the interior of the air pump, as this could create a fire and/or electrical hazard.**
- ⚠ **CAUTION: Do not use any abrasive cleaners or solvents, as this will damage the air bed.**
- Do not attempt to clean the appliance in any other way than that detailed by the manufacturer.
- Clean the exterior surface of the appliance by wiping it with a soft, damp cloth. Dry the appliance with a soft, clean cloth.
- Clean the vents and openings of the appliance regularly with a vacuum cleaner, using the brush attachment to avoid any dust build-up.
- To extend the lifespan of the filter, a vacuum cleaner, using the brush attachment can be used to remove dust from the surface of the filter.

## IMPORTANT ADVICE

---

The ambient temperatures of air have an effect on the air bed internal pressure. At low ambient temperatures the air will contract within the air bed and the air bed will feel softer: add air as necessary. At high ambient temperatures the air within the air bed will expand significantly and the air bed will become hard and may burst: release air to avoid damage to the air bed or to soften the feel. Do not expose the air bed to extreme temperatures.

Air inside of air bed may expand and contract with varying temperatures leading to

reduced pressure inside of air bed. If this occurs, simply add more air issuing the pump to achieve desired firmness.

Stretching is a natural characteristic of new vinyl. During initial use, the air bed may become soft and require additional inflation to maintain desired firmness. This is normal for the first few days of use.

Under no circumstances will Active Era be liable for damages to the air bed caused by negligence, ordinary wear and tear, abuse and carelessness or external forces.

## RECYCLING AND DISPOSAL

---

Waste electrical and electronic products (WEEE), batteries, accumulators and packaging should not be disposed of with general household waste. This is to prevent possible harm to the environment and human well-being, and to help conserve our natural resources. Most electrical products with a plug, battery, or cable can be recycled.

Contact your local council, household waste disposal service, or the store where you purchased the product for information regarding the collection schemes in your area.



### Waste Electrical and Electronic Equipment (WEEE)

This symbol on the product and/or packaging indicates that Waste Electrical products (WEEE) under Directive 2012/19/EU which governs used electrical and electronic appliances, should not be disposed of with general household waste.



### The Mobius Loop

This symbol indicates that the product or packaging is capable of being recycled.

### Take-Back Scheme

Waste electrical products (WEEE) can be sent to One Retail Group for recycling and disposal when you purchase a new product from One Retail Group, on a like-for-like basis. For more information on how to recycle this product please visit [www.activeera.com](http://www.activeera.com).

The end-user of electrical and electronic products (WEEE) is responsible for separating old batteries and lamp bulbs before they are handed over to a designated disposal and recycling service. Waste batteries can also be disposed of in collection bins, which can be found in most local supermarkets and household waste recycling centres.



One Retail Group, Ryland House,  
24a Ryland Road, London, NW5 3EH, United Kingdom

EU Authorised Representative: Brandrep Limited,  
The Black Church, St Mary's Pl N, Dublin, D07 P4AX, Ireland

[www.activeera.com](http://www.activeera.com)

© Copyright 2023