

TRAILHEAD

Hitch Rack Instructions



HITCH RACK ASSEMBLY

THE FOLLOWING PARTS ARE NEEDED FOR THE NEXT STEPS

- 1x Wheel Tray Face Plate (See diagram)
- 1x Wheel Tray Base (See diagram)

2x 2-Hole T-Nut



2x M10-1.5 x 25mm
Button Head Screw



6x Flat Washer



2x Split Lock Washer



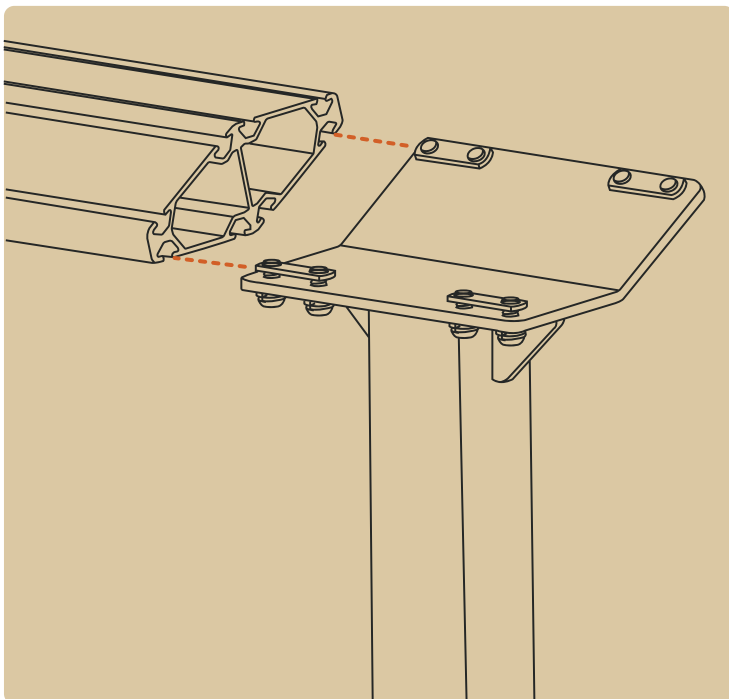
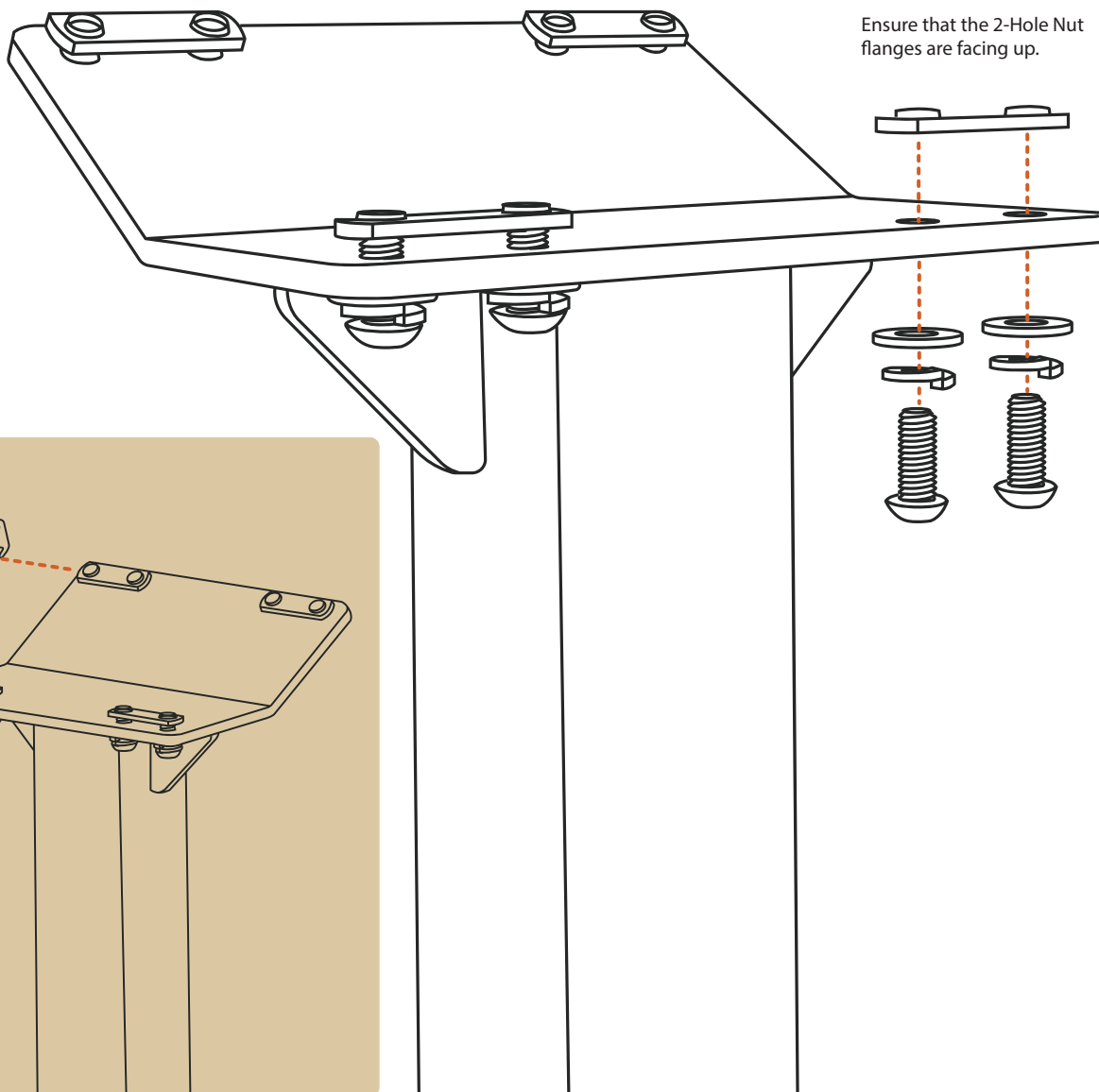
4x 1/4-20 x 5/8"
Button Head Screw

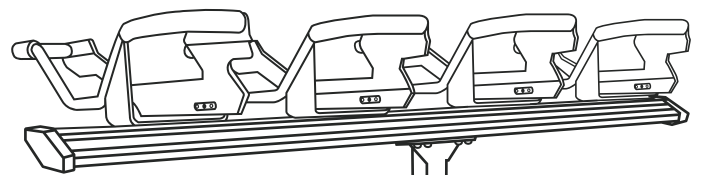
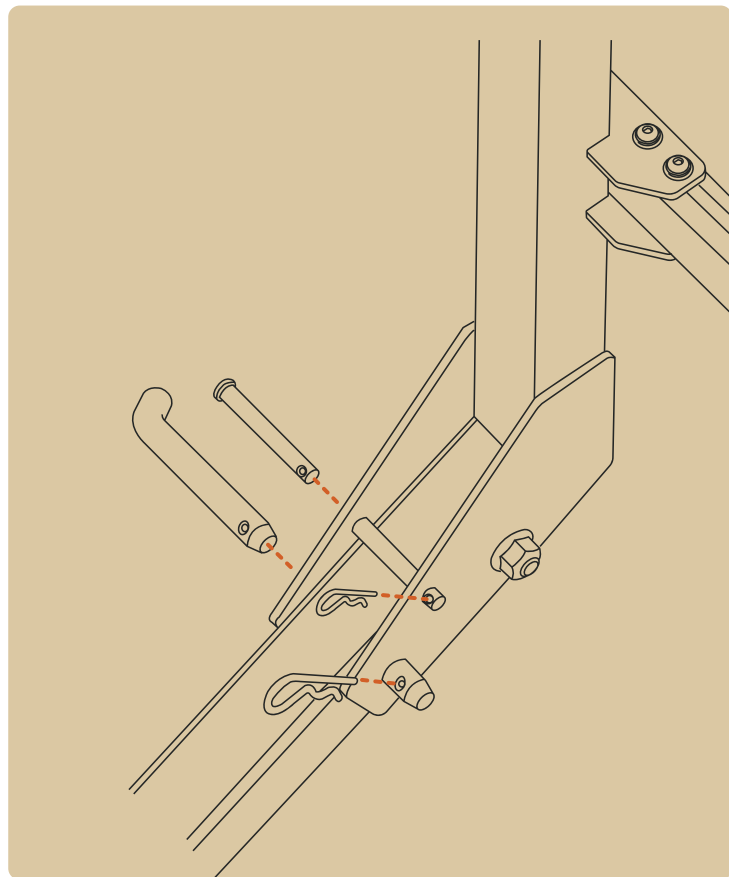
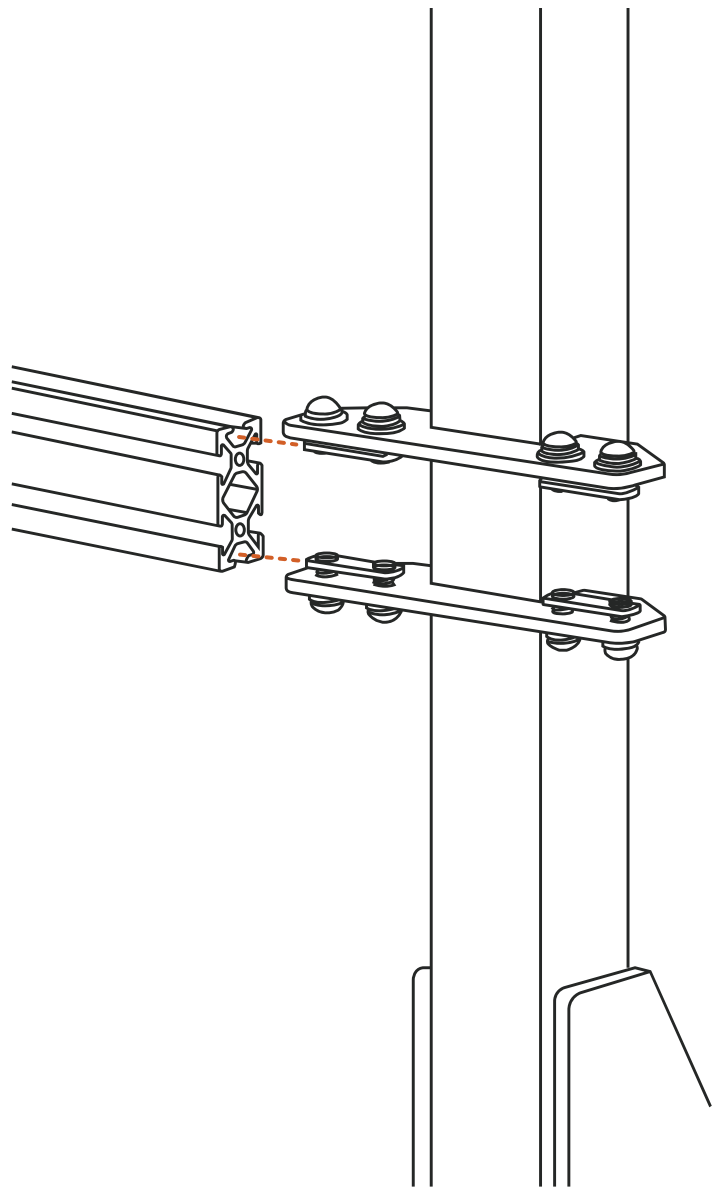
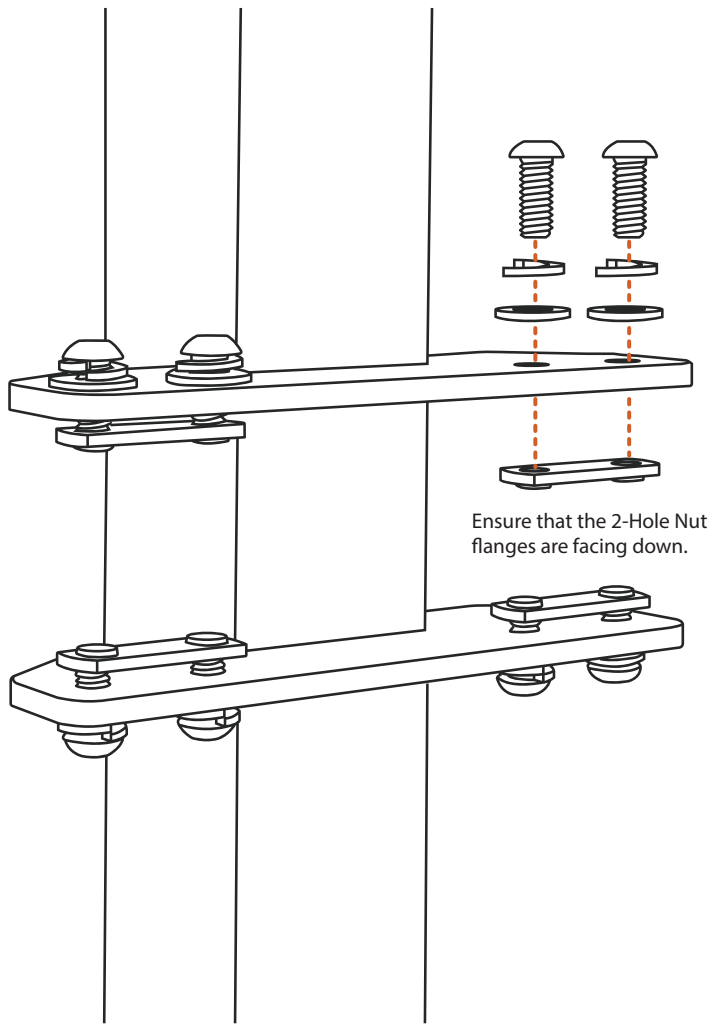


2x 1/4-20 x 7/8"
Button Head Screw



Tools: 5/32 or M4 Allen Wrench, M6 Allen Wrench





Assembled Trailhead Hitch rack show with optional Bike Mounts and straps.

