

TRAILBREAKER

Bike Mount Instructions



STEP 1 – BIKE MOUNT ASSEMBLY

THE FOLLOWING PARTS ARE NEEDED FOR THE NEXT STEPS

- 1x Wheel Tray Face Plate (See diagram)
- 1x Wheel Tray Base (See diagram)

2x 3-Hole T-Nut



2x M10-1.5 x 25mm
Button Head Screw



6x Flat Washer



2x Split Lock Washer



4x 1/4-20 x 5/8"
Button Head Screw

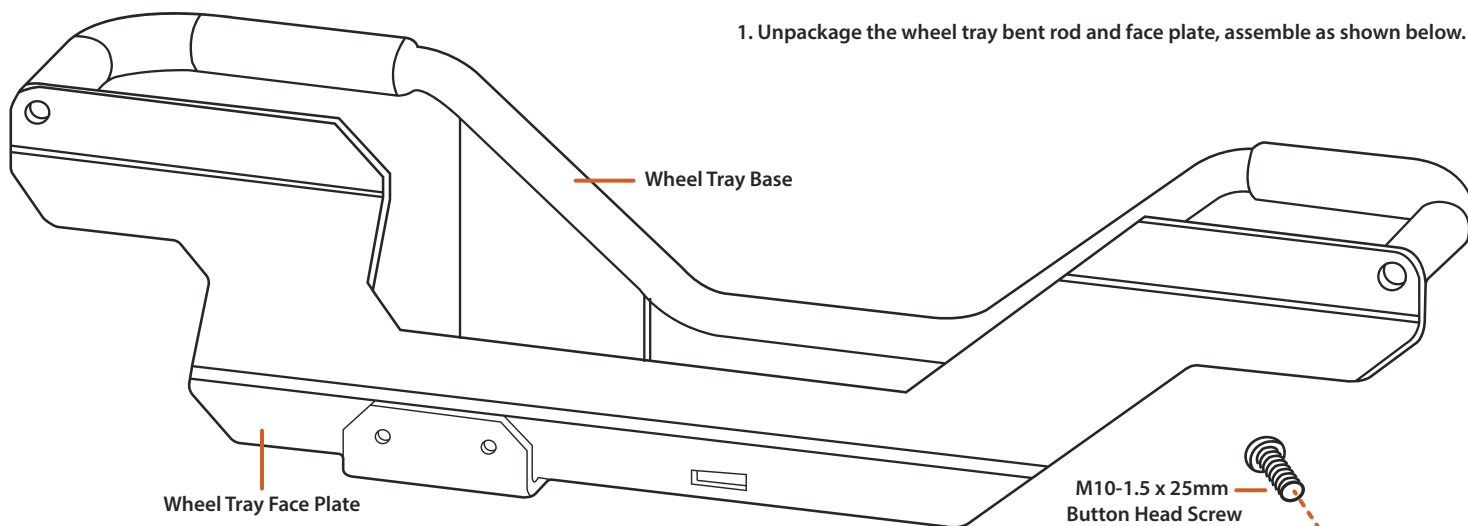


2x 1/4-20 x 7/8"
Button Head Screw

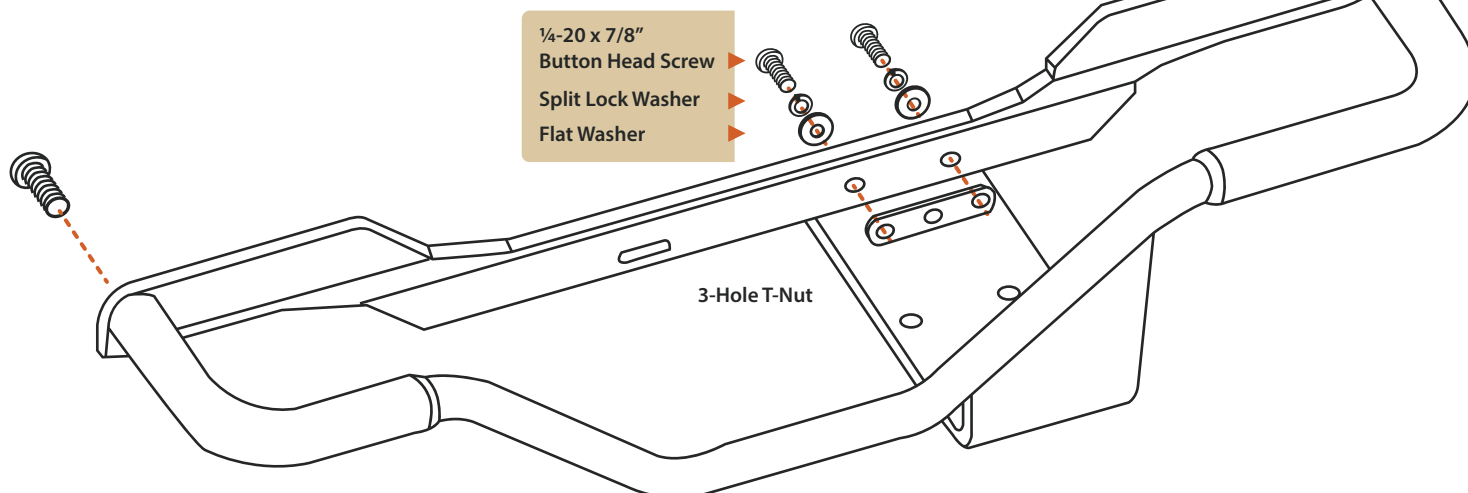


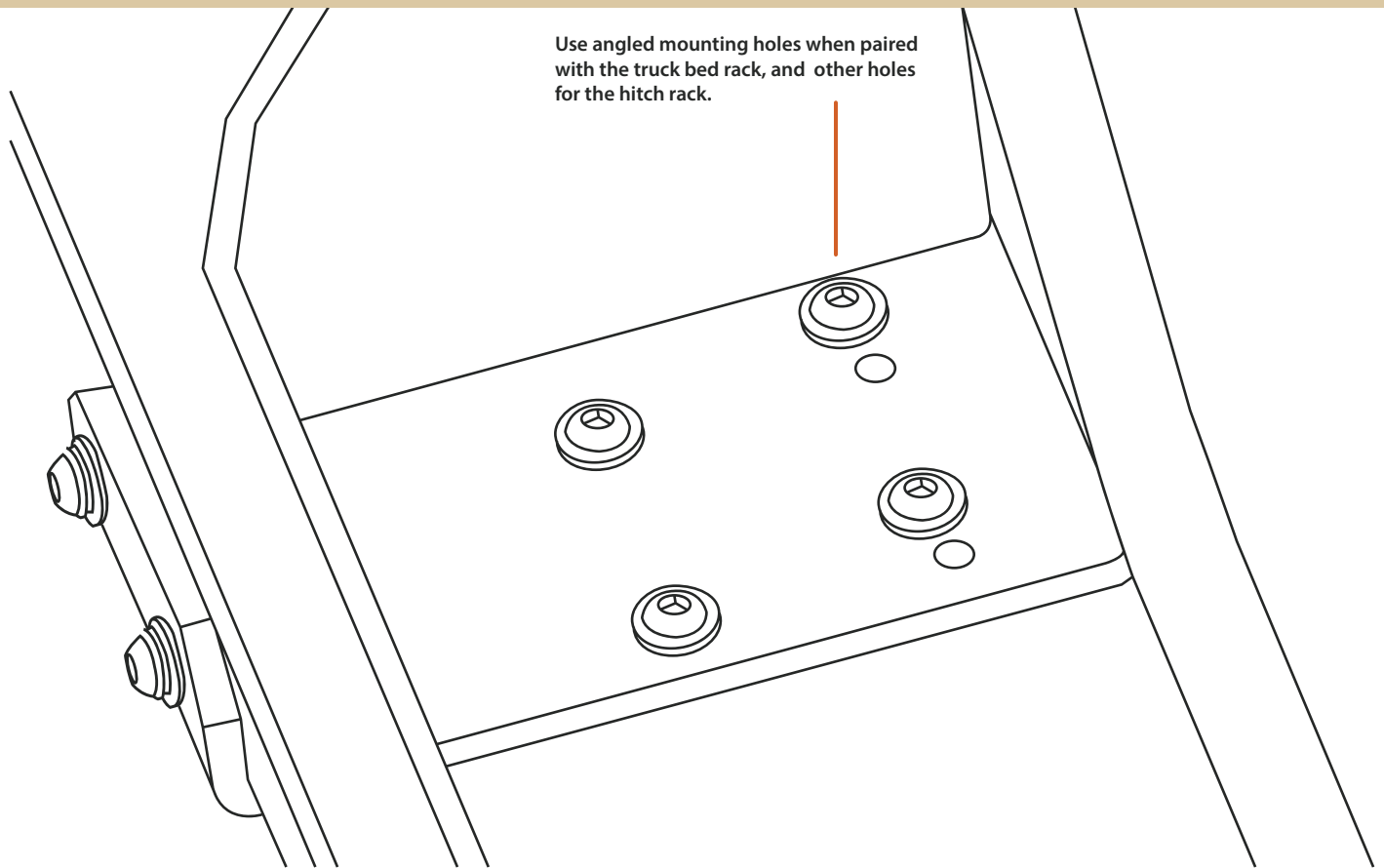
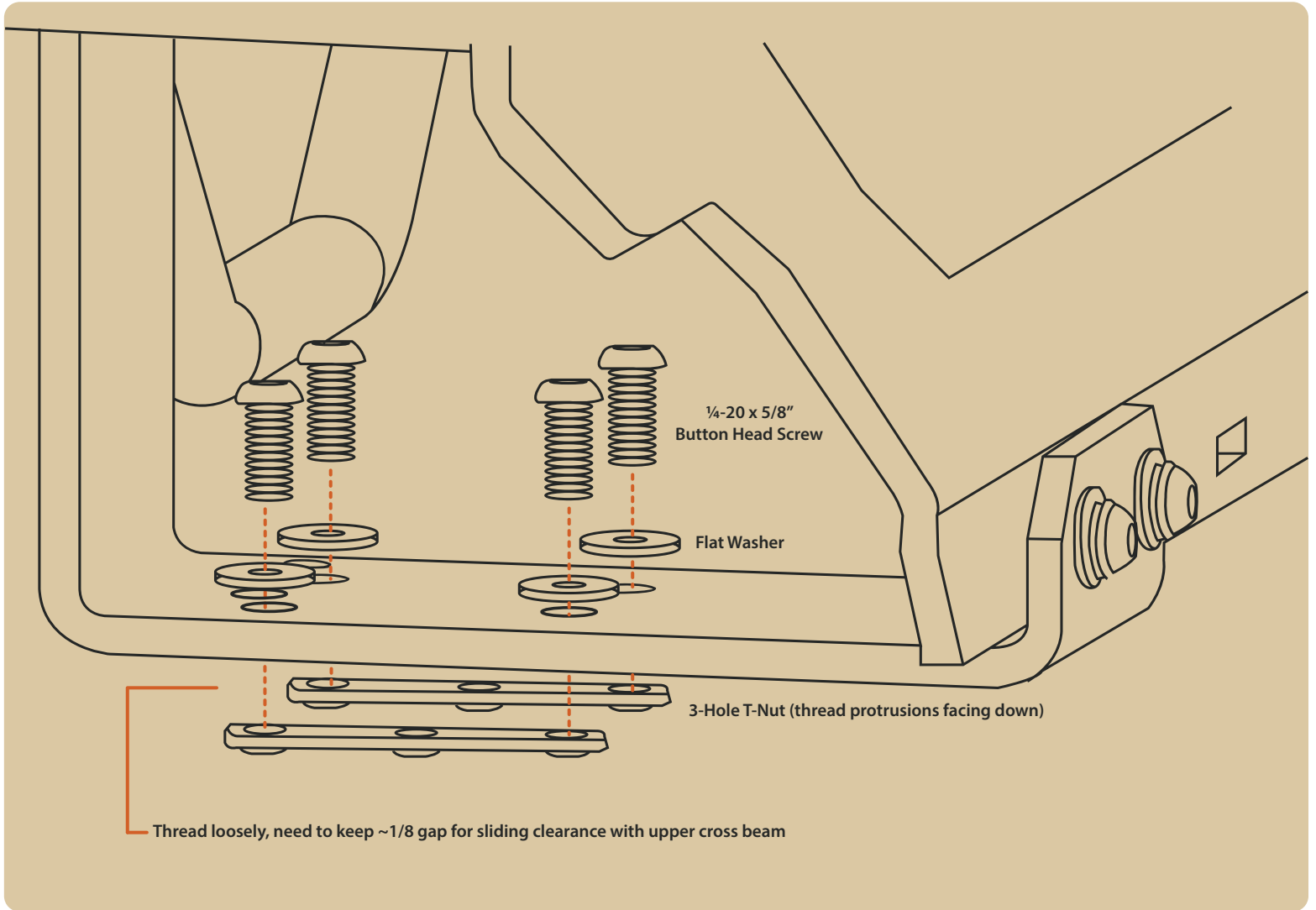
Tools: 5/32 or M4 Allen Wrench, M6 Allen Wrench

1. Unpackage the wheel tray bent rod and face plate, assemble as shown below.



2. Attach wheel tray face plate to the wheel tray base with included hardware.



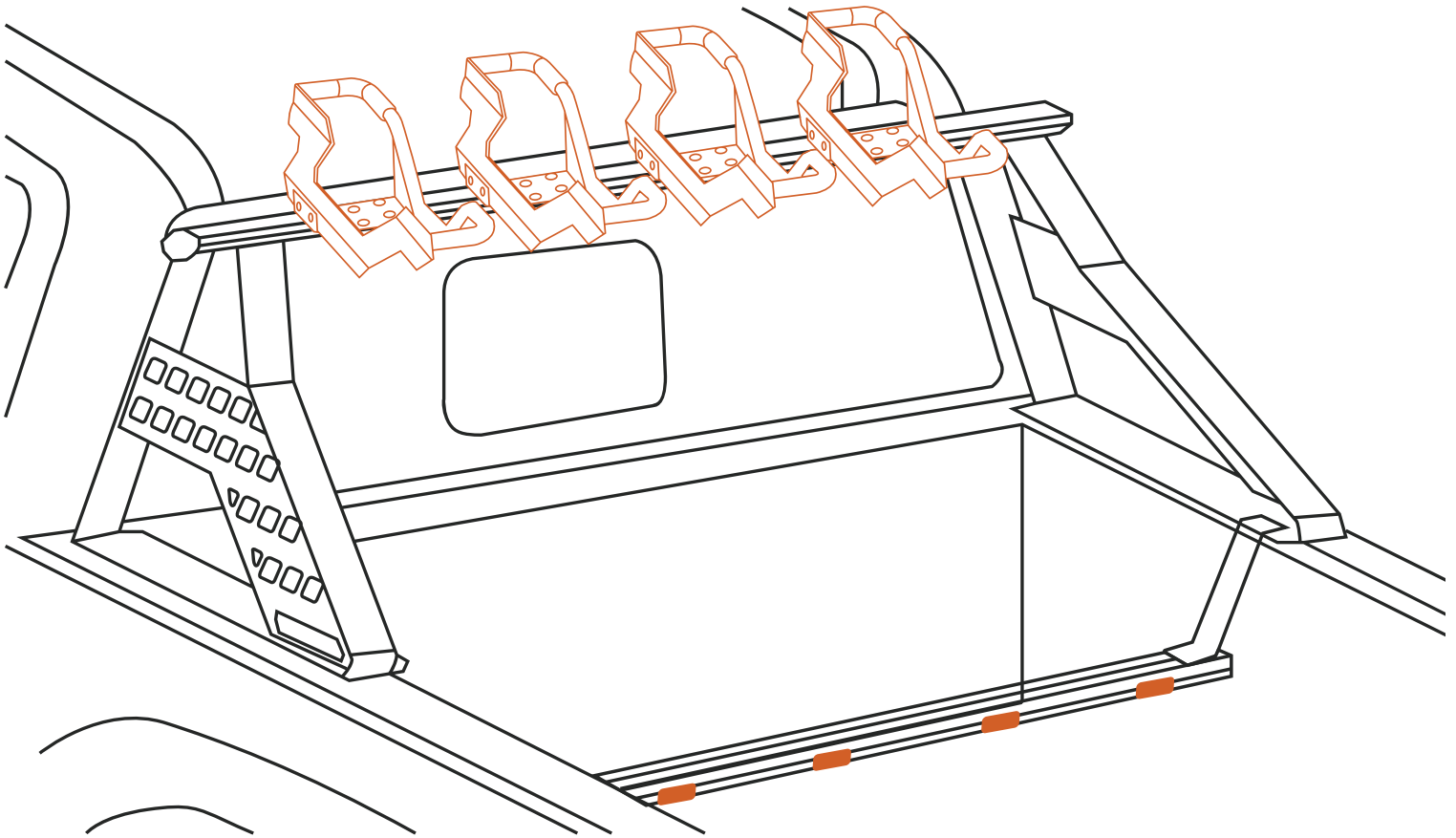


STEP 2A – BIKE MOUNT INSTALLATION - TRAILBREAKER

THE FOLLOWING PARTS ARE NEEDED FOR THE NEXT STEPS

- 1x Trailbreaker Assembled Rack
- Bike Mounts
- Short Rubber Strap

Tools: 5/32 or M4 Allen Wrench



- Slide the front wheel mount into the t-slot tracks on the horizontal surface of the upper cross beam tracks, and tighten with 5/16 or M4 allen wrench.
- Slide the pedal strap guide into the t-slot channel on the front surface of the lower cross beam.
- Insert Bike and secure with included rubber straps.
- The short rubber strap goes with the front wheel mount, and the long rubber strap goes around the lower beam, through the pedal strap guide, and secures around one of your bike pedals.

STEP 2B – BIKE MOUNT INSTALLATION - TRAILHEAD

THE FOLLOWING PARTS ARE NEEDED FOR THE NEXT STEPS

- 1x Trailhead Assembled Rack
- Bike Mounts
- Short Rubber Strap

Tools: 5/32 or M4 Allen Wrench, M6 Allen Wrench

