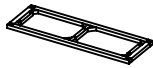

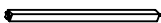
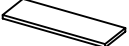





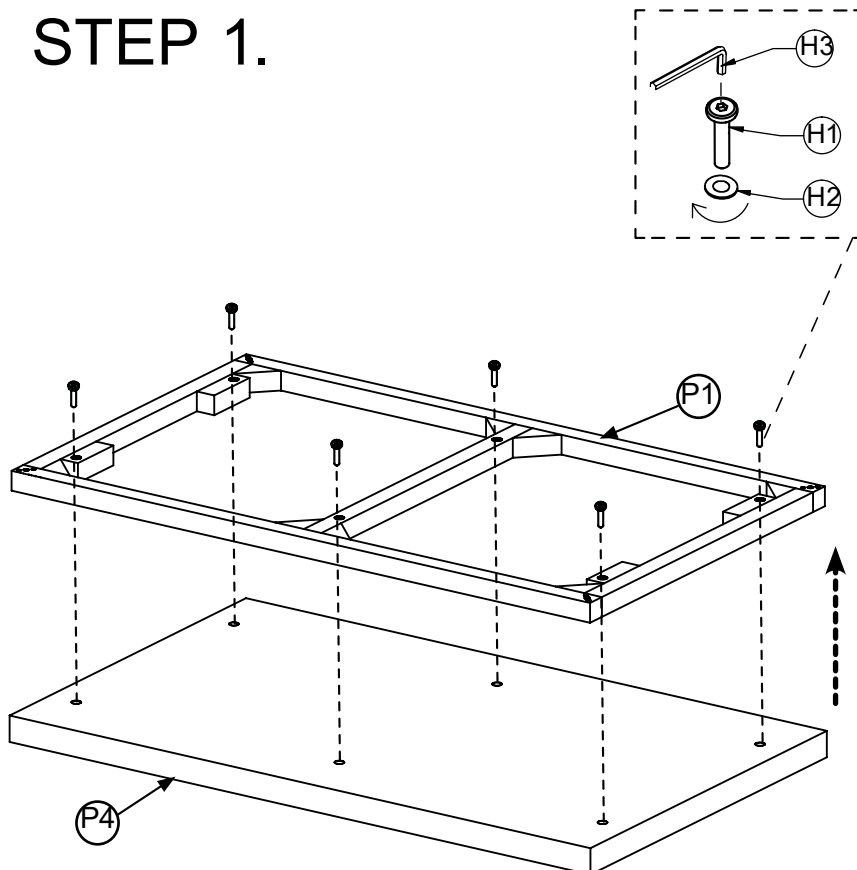
ASSEMBLY INSTRUCTIONS

BALANCE COFFEE TABLE, NOUGAT COF-ZT-008-043

Part and Hardware List

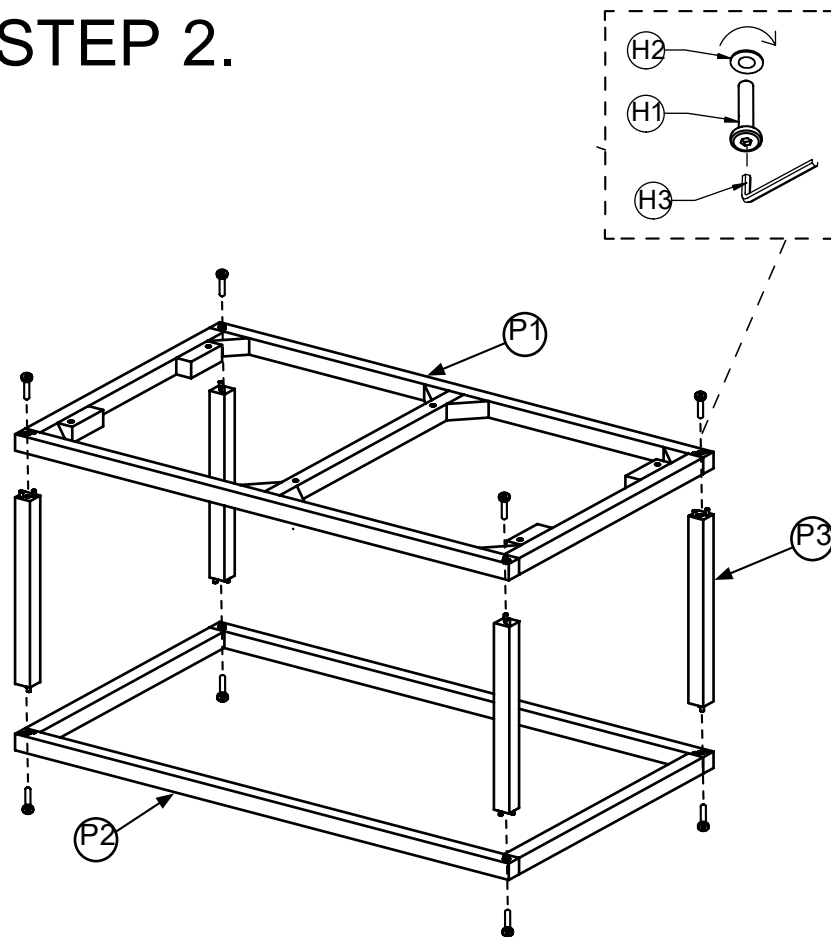
NO.	DESCRIPTION	IMAGE	QUANTITY
P1	TOP FRAME		1
P2	LEG FRAME		1
P3	LEG		4
P4	TOP CONCRETE		1
NO.	DESCRIPTION	IMAGE	QUANTITY
H1	BOLT M6 x 40		14
H2	FLAT WASHER		06
H3	ALLEN KEY		1

STEP 1.

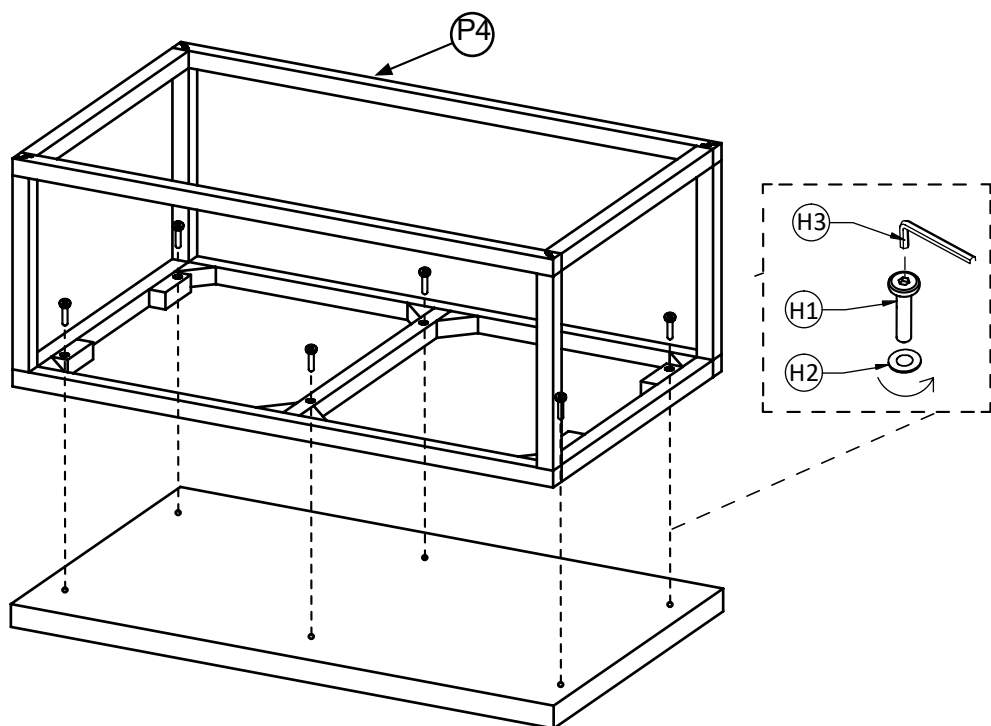


*Screw the bolts out to take frame out (A)
of concrete top (D)

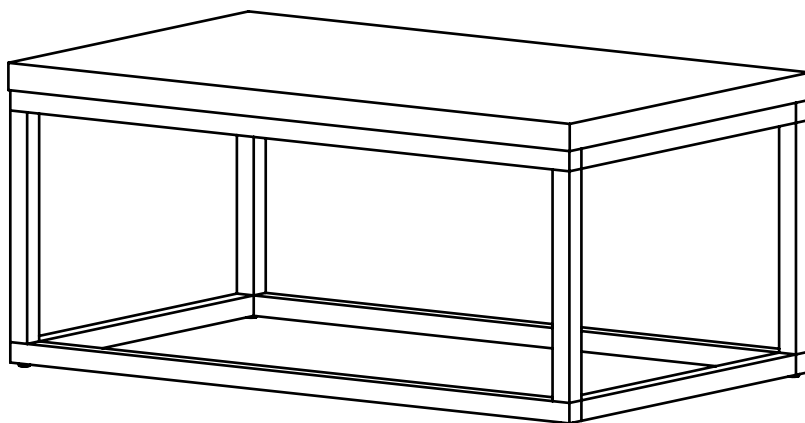
STEP 2.



STEP 3.



STEP 4.



Adjust leveler for balance

