

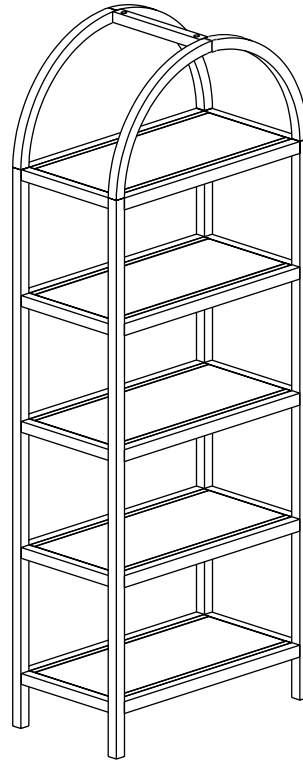
# MOE'S

home collection

## ASSEMBLY INSTRUCTIONS.

EERO BOOKCASE BLACK

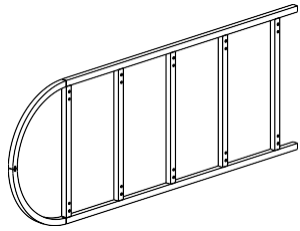
**BC-1115-02**



THANK YOU FOR YOUR PURCHASE!

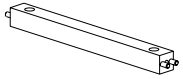
## PART LIST

A



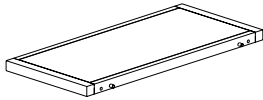
Frame Legs = 2pcs

B



Stretcher = 1pc

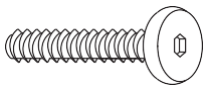
C



Shelf = 5pcs

## HARDWARE LIST

1. Bolt



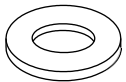
M6 24pcs

2. Spring washer



M 6.5 24pcs

3. Flat washer



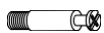
M6.5 24pcs

4. Allen key



1 pc

5. Cam Bolts



2pcs

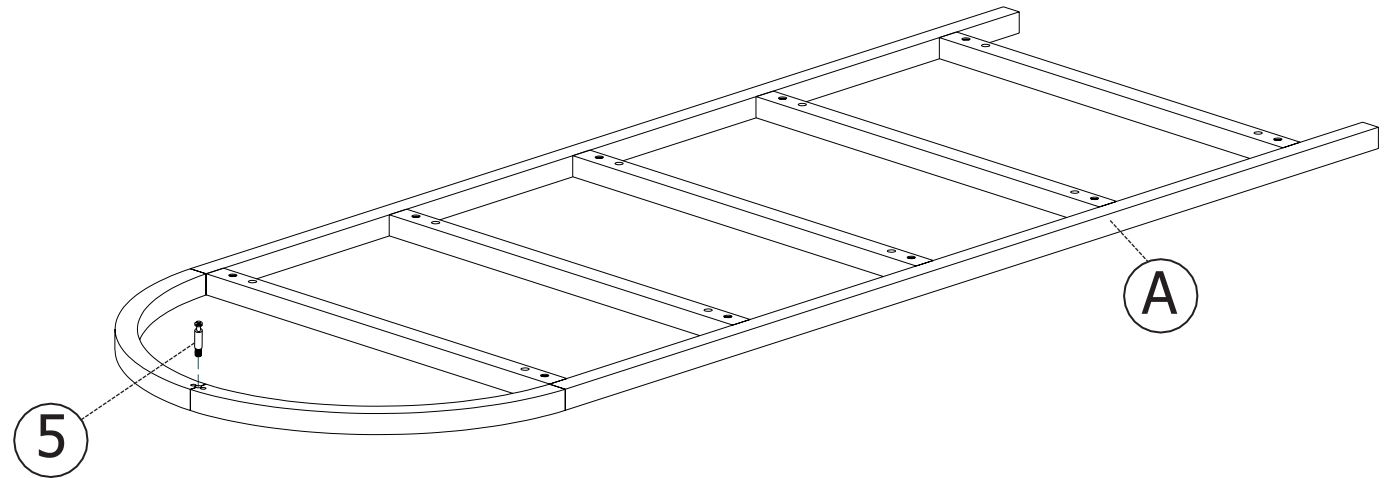
6. Cam Locks



2 pcs

## Step 1:

Insert Cam Bolts ⑤  
Into Frame Leg ①  
as shown



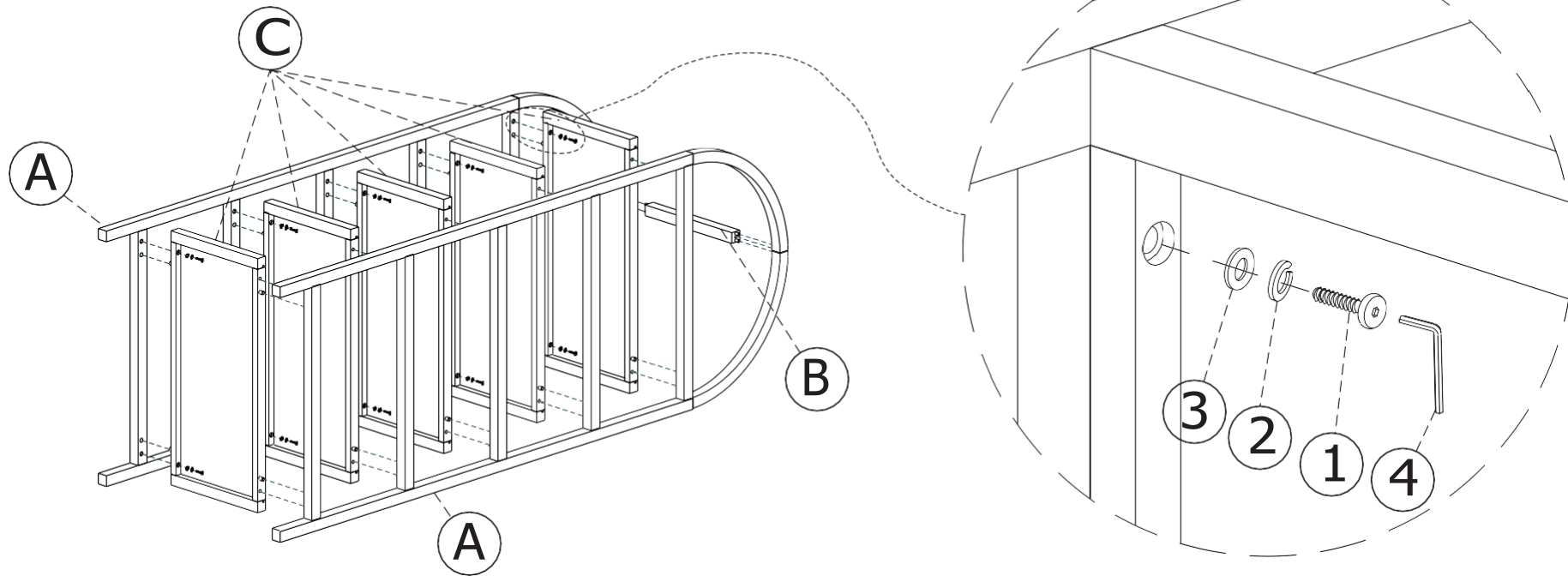
## NOTES.

Thank you for purchasing this quality product! Be sure to check all packing material carefully for small part that may have come loose inside the carton during shipping.

## CAUTION:

The item is heavy, assembly should be performed by two people.

## Step 2:



## Step 3:

Insert Cam locks ⑥ into the Stretcher ②. Press firmly together. Turn the cam lock clockwise with a philipshead screwdriver to lock.

