

SANTÉ

floor | user guide




UIMAGE



WITH LOVE FROM COPENHAGEN

At UIMAGE, our designers take inspiration from the distinct nature of the Nordic landscape to create unique designs related to the way we live in an urban setting. Influenced by the design language, colours and materials found around us in Scandinavia, we create a collection that is rooted in our home but designed for everyone.

Versatile, flexible and multifunctional, our designs are created to enhance an urban lifestyle in smaller spaces!

ENGLISH

If the external flexible cable or cord of this luminaire is damaged, it shall be exclusively replaced by the manufacturer or his service agent or a similar qualified person in order to avoid a hazard.

FRANÇAIS

Si le câble électrique de ce luminaire est endommagé, il peut être remplacé. Pour éviter tout danger, le remplacement doit impérativement être effectué par le fabricant, un représentant de celui-ci ou un réparateur agréé.

ESPAÑOL

Si se dañase el cable exterior flexible de esta lámpara, para evitar riesgos deberá ser sustituido exclusivamente por el fabricante, su representante o un electricista cualificado.

! IMPORTANT !

**Santé light stand safety instructions
(Read and keep these instructions for future reference)**

PRODUCT NAME

Santé Model no.: 4037, 4038

Rating parameter: 120V, 60HZ, AC ONLY

Lamp type: E26 Type A / 60W MAX

NOTE

This instruction sheet covers a variety of stands (different colors), but with the same applications. Do not connect your stand to a power source until all stand- and lamp assembly and bulb installation is complete.

NOTICE

You are advised to contact a qualified electrician for these procedures

IMPORTANT SAFETY INSTRUCTIONS

This portable lamp has a polarized plug (one blade is wider than the other) as a feature to reduce the risk of electric shock. This plug will fit in a polarized outlet only one way. If the plug does not fit fully in the outlet, reverse the plug. If it still does not fit, contact a qualified electrician. Never use with an extension cord unless plug can be fully inserted. Do not alter plug.

INSTRUCTIONS IMPORTANTES DE SÉCURITÉ

Ce luminaire portable a une prise polarisée (une lame est plus large que l'autre) comme une caractéristique pour réduire le risque d'électrocution. Cette prise s'adaptera à une sortie polarisée d'une manière unique. Si la fiche ne rentre pas complètement dans la prise, inversez la fiche. Si cela ne correspond pas toujours, contactez un électricien qualifié. Ne jamais utiliser avec une rallonge à moins que la fiche ne soit complètement insérée. Ne modifiez pas la fiche.

SAFETY PROCEDURES

Read and keep these instructions for future reference

- 1. Remove the packaging carefully without the use of sharp objects. Assemble the product as shown in this user guide, then place the product firmly on a fixed surface before moving onto next procedure.**
- 2. Unscrew the ring of the socket. Assemble the suitable lampshade (not included) and put it on the socket and screw the ring back on until lampshade is completely fastened.**
- 3. Firmly screw an E26 light bulb (MAX 60W) into the socket. Do NOT put your fingers into the socket!**

- 4. Insert the plug into a suitable outlet and turn on the power supply.**
- 5. Switch to on.**
- 6. Always disconnect the power-supply before cleaning, changing of light bulbs or repair of the stand. The latter, should always be done by a qualified electrician.**
- 7. Let the light bulb cool off sufficiently before changing the bulb.**
- 8. Keep the stand away from any flammables, or objects that cannot handle heat.**
- 9. Please always place the stand on a level surface not more than 8° angle.**
- 10. The stand is for indoor use ONLY.**

- 11. If the stand in any way malfunctions, to avoid accidents or mishandling of the stand, please always contact a qualified electrician.**
- 12. Only use the stand, where these same official electrical- and technical parameters exist!**
- 13. Do NOT touch the light bulb immediately after the light is turned off. Be aware of possible scalding!**
- 14. The stand is NOT a childrens toy and should not be used in any other manner than described above.**
- 15. The minimum diameter of open area (top & bottom) should NOT be less than 100MM (4 inches); Lamp-to-shade spacing must be over 3-1/4 inches (63.5mm); Lamp Centerline Length must over 2-1/2 inches (82.5mm).**

- 16. The weight of lamp shade should NOT exceed 1.1 KGS (2-1/2LBS).**

NOTE

DO NOT try to repair the product if the cable, socket or the lampshade is in any way broken or not as expected, such tasks are only intended for qualified electricians!

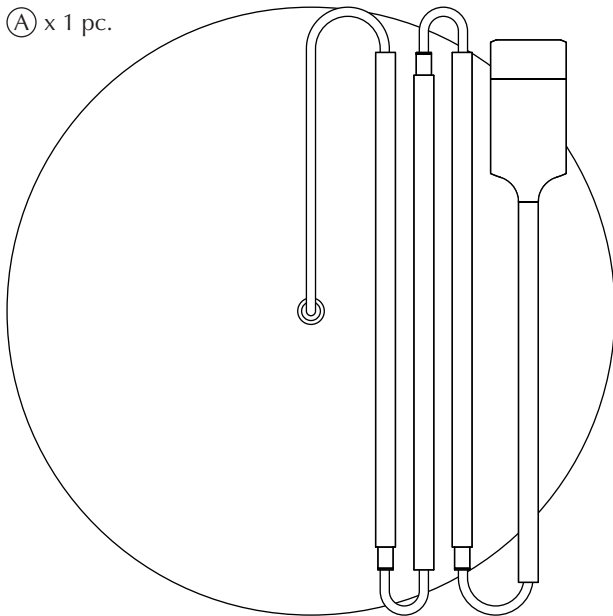


DESIGNED BY
ANDERS KLEM

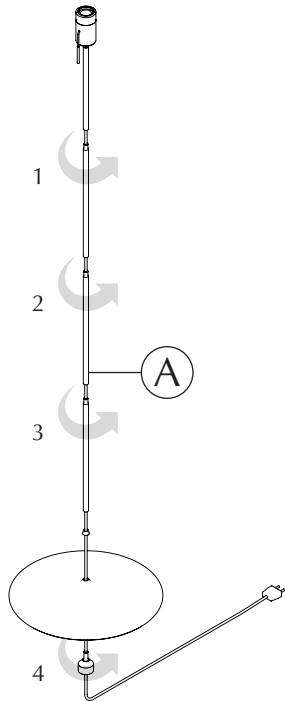
“ There is always the
one that with quiet
grace and elegance
draws our eyes,
without even trying. ”

ASSEMBLY GUIDE

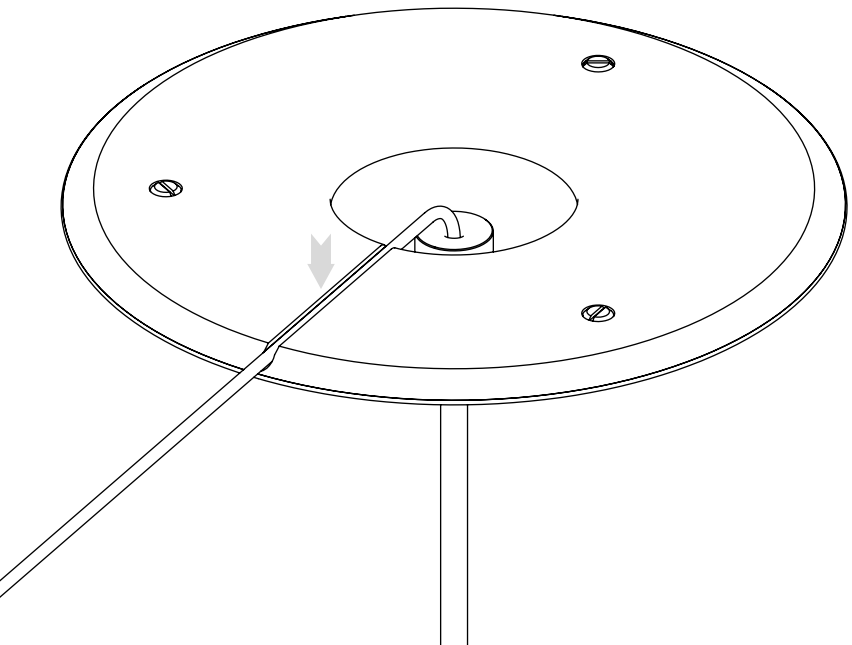
Ⓐ x 1 pc.

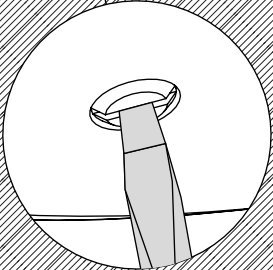
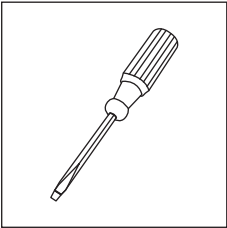
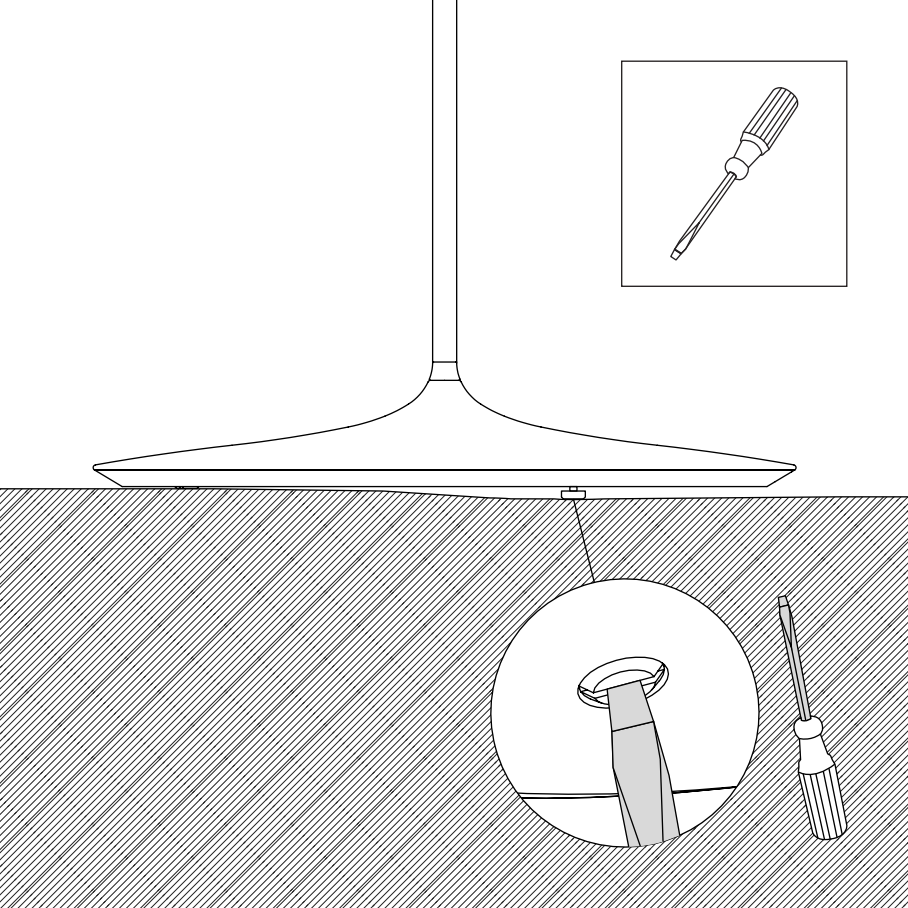


Find assembly videos by using the QR code or by going online at our website
umage.com/instructions



If the external flexible cable or cord of this luminaire is damaged, it shall be exclusively replaced by the manufacturer or a similar qualified person, in order to prevent any possible hazards.



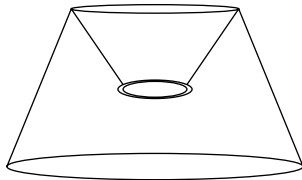




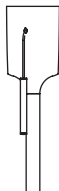
MAX 60W

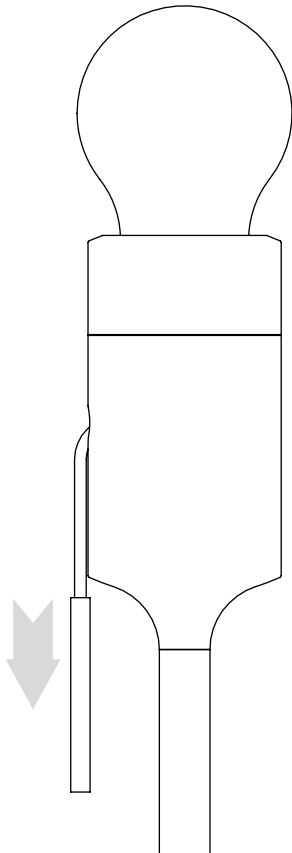


— >100 MM / >4" —



— >100 MM / >4" —







EOS medium | light rose

• SANTÉ table | black

MY SPOT oak | brass



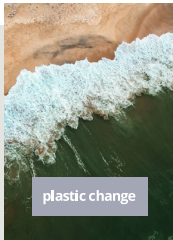
AUDACIOUS TV BENCH oak | silver grey
SEAT CUSHION accessory for Audacious tv bench



SUSTAINABLE SUSTAINABILITY EFFORTS

We are dedicated being sensible frontrunners on the environmental responsibility. If we provide timeless and functional quality designs that last, we know nature will prevail, as will UIMAGE.

*“SAVING THE SCENT OF THE FOREST
AFTER AN EARLY MORNING RAIN”*



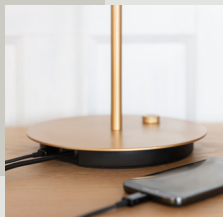
plastic change

GIVING BACK TO NATURE

In collaboration with the NGO One Tree Planted, we are planting a tree every time one of our designs made from wood are being sold. Furthermore, we are compensating for the polypropylene products we sell, by donating part of the profits to the NGO Plastic Change, supporting the World ocean clean-up and minimizing plastic pollution.

MULTIFUNCTION AND FLEXIBILITY

One of the key aspects of the designs at UIMAGE is multiple functions and flexibility. Designing with more than one function in mind is a sustainable mindset as it reduces the number of products you need to buy to get a complete setting for your space.



REUSABLE PACKAGING

To minimize packaging waste, most of the packaging from our lighting collection is repurposed to be used as beautiful storage boxes afterwards.

RECYCLING

Please follow the marked icons on the packaging materials for correct disposal of the remaining packaging materials:



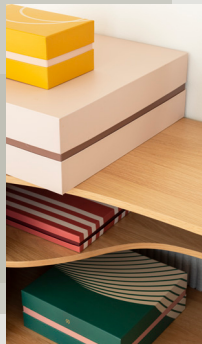
CARDBOARD



PAPER



Recycle your waste correctly by searching for these icons on the packaging



FOLLOW US ON SOCIAL MEDIA



@umagedesign | #umagedesign | umage.com



210908