

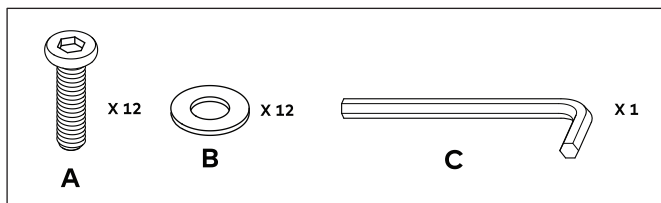
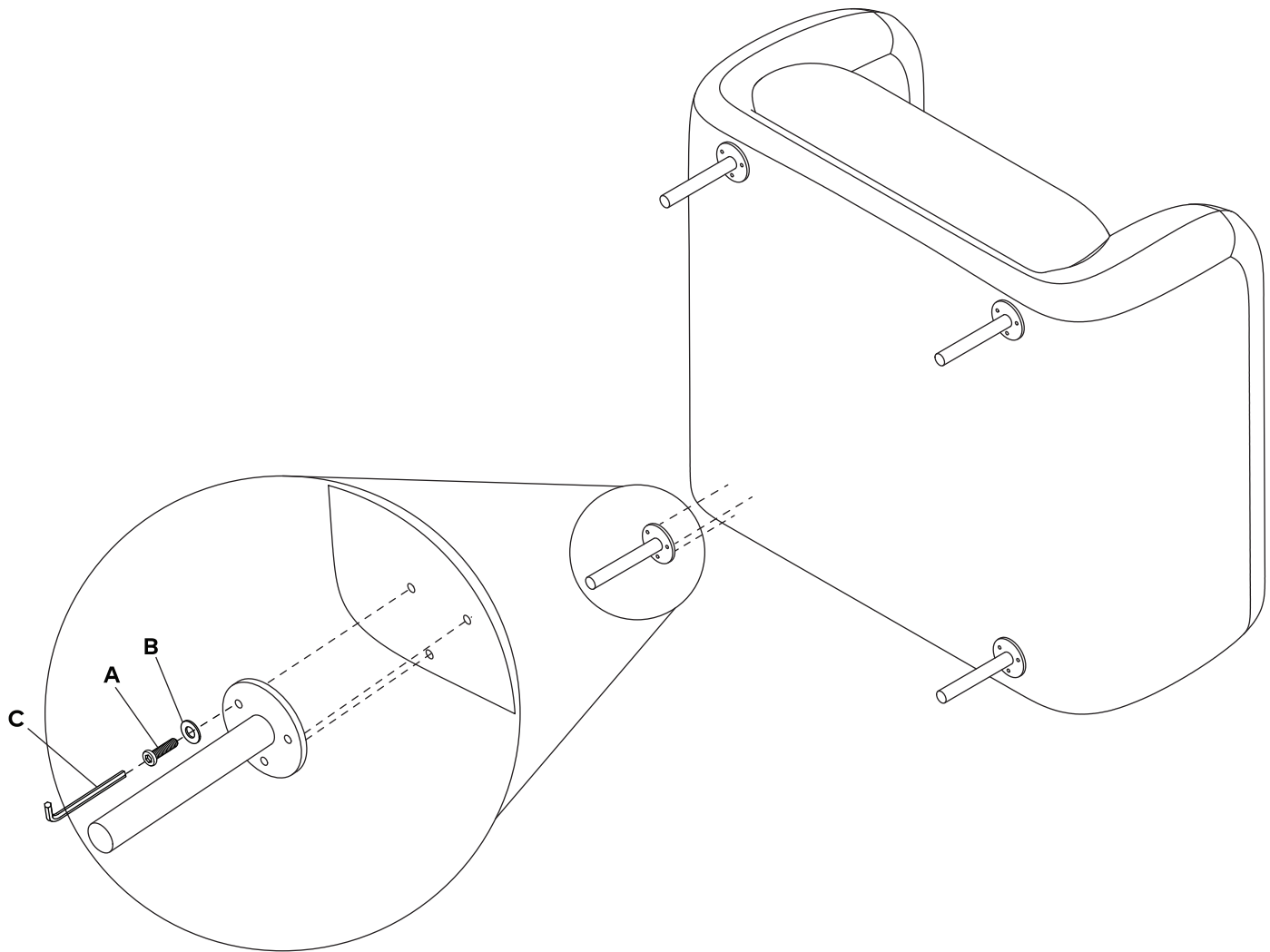
# Nord Chair

## ASSEMBLY INSTRUCTIONS

**KEEP ALL PACKAGING MATERIALS UNTIL YOU HAVE VERIFIED ALL COMPONENTS AND PARTS.**

1. Gently rest the back of the chair onto a clean flat surface.
2. To install the steel legs, align the holes of the steel plates with the threaded inserts on the underside of the sofa. Secure the legs into the threaded inserts with the provided bolts and washers.

**To help maintain the appearance of your chair, we recommend spot cleaning the upholstery with a gentle soap and water. Steel legs can be cleaned with a damp, soft cloth. Do not use abrasive cleaning products.**



Modern  
furniture  
made  
simple.