

EOS UP

medium | user guide



UIMAGE





WITH LOVE FROM COPENHAGEN

At UIMAGE, our designers take inspiration from the distinct nature of the Nordic landscape to create unique designs related to the way we live in an urban setting. Influenced by the design language, colours and materials found around us in Scandinavia, we create a collection that is rooted in our home but designed for everyone.

Versatile, flexible and multifunctional, our furniture and accessory collection is designed for packing the most into life in smaller spaces!

SAFETY PROCEDURES

Read and keep these instructions for future reference

- **This product is NOT a children's toy and should NOT be used in any other manner than described throughout this user guide.**
- **Always turn electrical power off at the electrical service panel of the household before handling electrical wires. Keep electrical power turned off throughout the entire installation procedure.**
- **NEVER touch the light bulb immediately after the light has been turned off. Beware of possible scalding! Let the light bulb cool off sufficiently before changing the bulb.**

- **ONLY** use this product where the same official electrical and technical parameters, as described, exists!
- This product is for indoor use **ONLY**, excluding any wet areas.
- Do **NOT** install this product near flammable or heat-sensitive objects.
- Do **NOT** try to repair the product if any of the electrical or mechanical components are in any way broken, not as expected, or malfunctioning. Please contact a qualified electrician.
- Different wall materials require different types of screws. **ALWAYS** choose screws that are specially suited to the materials of your walls.

WARNING

Ignoring any of the Safety Instructions, or deviating from any of the steps in either the Installation-, the Maintenance- may result in a risk of fire or electric shock. You are advised to contact a qualified electrician for these procedures.

! IMPORTANT !

EOS UP MEDIUM SAFETY INSTRUCTIONS
(Read and keep these instructions for future reference)

Product name: Eos Up medium

Model no.: 2150

Rating parameter: 120V, 50/60HZ, AC ONLY

Lamp type: GU24 / 10W LED MAX

MIN 75°C SUPPLY CONDUCTORS

NOTE

Do not plug in your lamp to a power source until lamp assembly and bulb installation is complete.

NOTICE

This product must be installed in accordance with the applicable installation code by a person familiar with the construction and operation of the product and the hazards involved.

CARE AND MAINTENANCE

Please follow the below care and safety instructions to ensure many years of enjoyment with your new design item from UIMAGE.

- Please give the feathers time to readjust to their original shape. It may take up to two weeks, but you can help them along by running your fingers carefully through the feathers.**
- The nature of the organic materials might give off the characteristic odors.**
- This is a handmade product made of natural goose feathers, giving each lamp a unique look. As every lamp is different, feathers might look different than in the photos. Feathers that are curly, split, or in all directions will come to shape over time. To cover possible gaps or open areas where fewer feathers are visible, don't be**

afraid to bend the feathers. Just squeeze the hollow shaft between your thumb and fingers and give the feathers the look you want. Each lamp requires grooming before it is exactly to your liking.

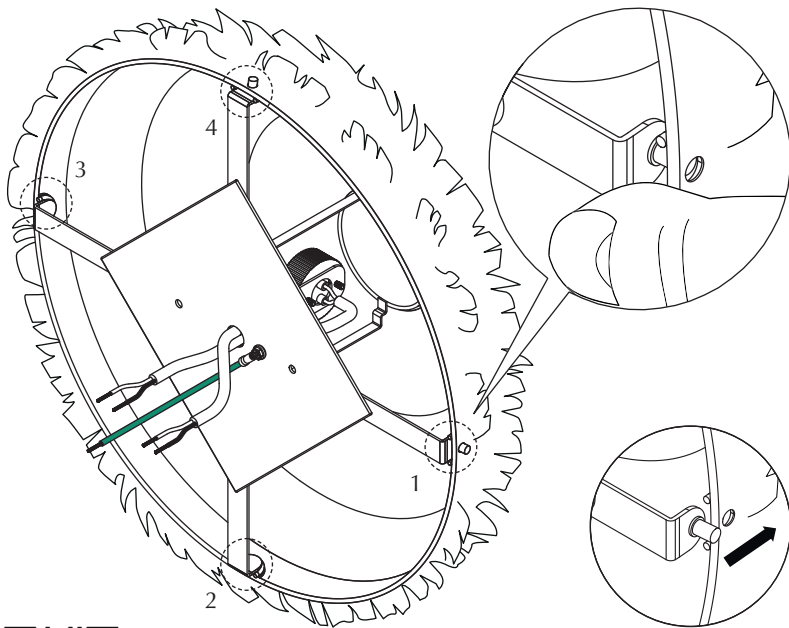
- Keep the lamp clean using a hair dryer on the coolest setting, 25 cm (10") from the lamp, and blow the loose dust from the feathers. Use a clean damp cloth for dust that is difficult to remove.**
- Always turn electrical power off before cleaning the product or changing the bulb.**
- Avoid tension on the cords while handling the product.**
- Keep the shade away from sunlight, humid or very dry areas. Keep away from fire and fire hazards such as fireplaces, candle lights or similar, but also from hot areas such as heaters or similar.**



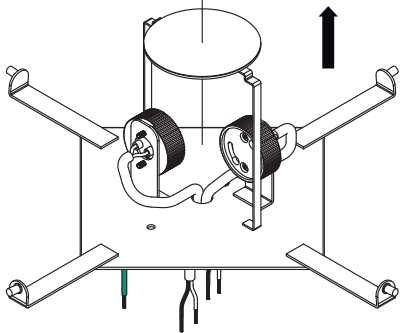
DESIGNED BY
SØREN RAVN CHRISTENSEN

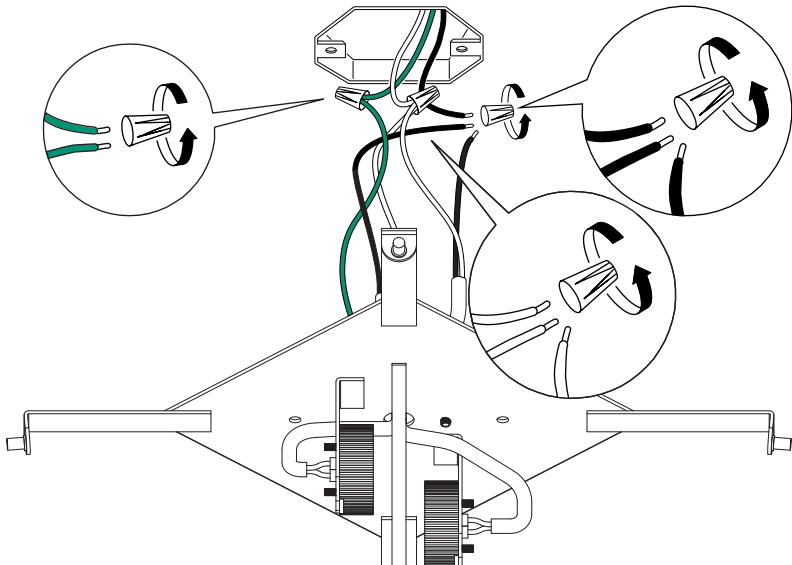
“ Whether it's in width
or height, you need
light to make your
small areas come
to life. ”

ASSEMBLY GUIDE



Find assembly videos by using the QR code or by going online at our website
umage.com/instructions





ENGLISH

Live

FRANÇAIS

Phase

ESPAÑOL

Con corriente.

ENGLISH

Neutral

FRANÇAIS

Neutre

ESPAÑOL

Neutro

ENGLISH

Earth/
Ground

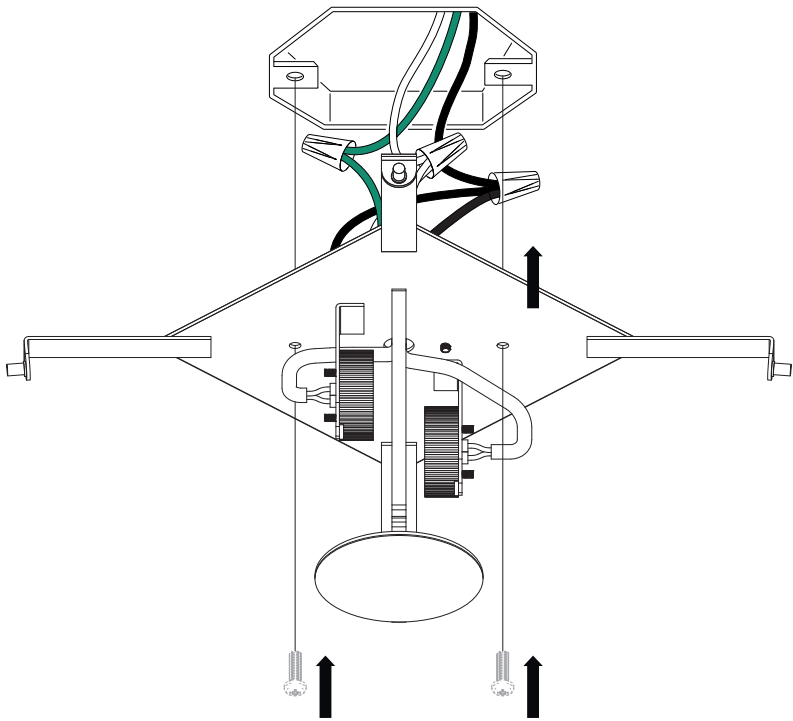
FRANÇAIS

Terre

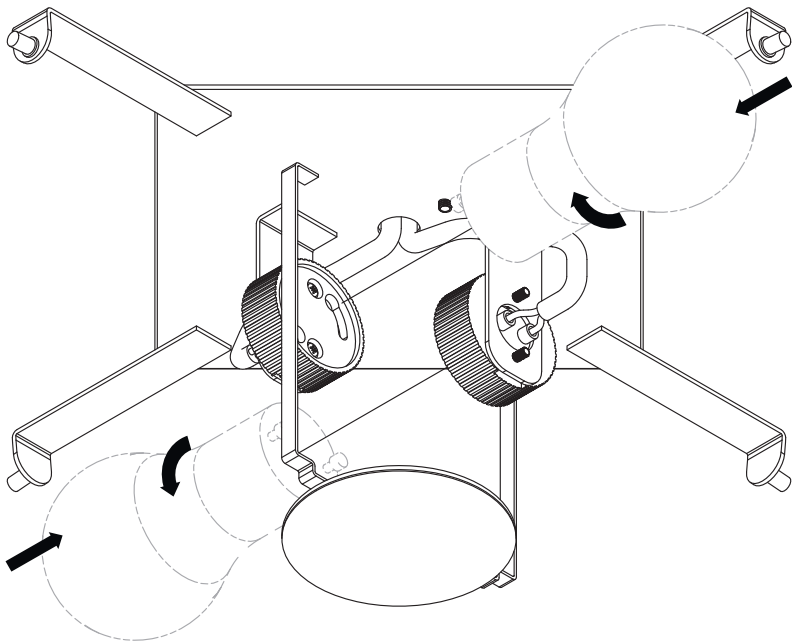
ESPAÑOL

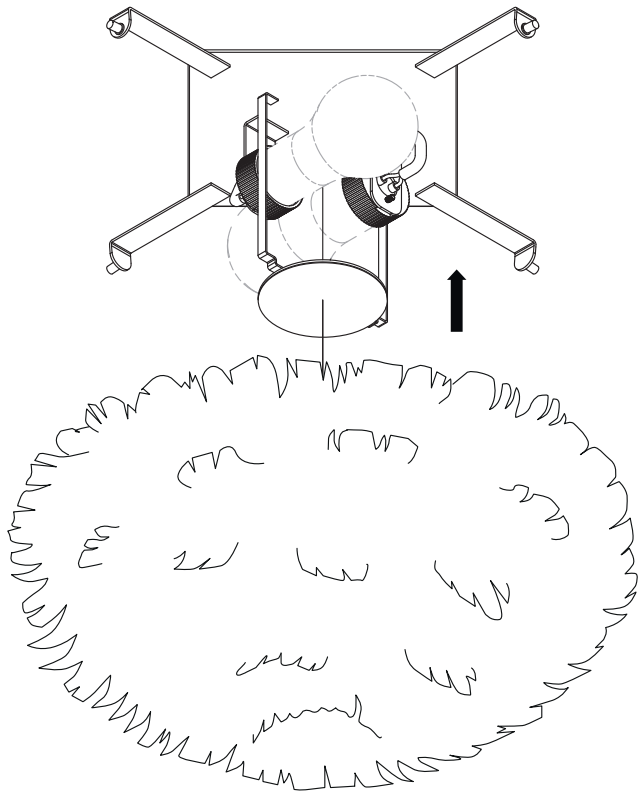
Tierra

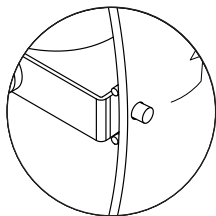
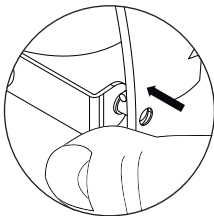
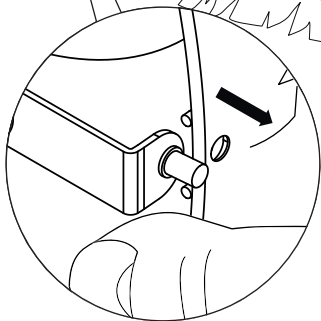




2 X MAX 10W LED
GU24







EOS mini | white

TRIPOD base | white



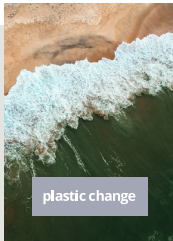
MY SPOT
black oak | brass



SUSTAINABLE SUSTAINABILITY EFFORTS

We are dedicated being sensible frontrunners on the environmental responsibility. If we provide timeless and functional quality designs that last, we know nature will prevail, as will UIMAGE.

*"SAVING THE SCENT OF THE FOREST
AFTER AN EARLY MORNING RAIN"*



GIVING BACK TO NATURE

In collaboration with the NGO One Tree Planted, we are planting a tree every time one of our designs made from wood are being sold. Furthermore, we are compensating for the polypropylene products we sell, by donating part of the profits to the NGO Plastic Change, supporting the World ocean clean-up and minimizing plastic pollution.

MULTIFUNCTION AND FLEXIBILITY

One of the key aspects of the designs at UIMAGE is multiple functions and flexibility. Designing with more than one function in mind is a sustainable mindset as it reduces the number of products you need to buy to get a complete setting for your space.



REUSABLE PACKAGING

To minimize packaging waste, most of the packaging from our lighting collection is repurposed to be used as beautiful storage boxes afterwards. Learn more on the next page...



REUSABLE PACKAGING

With your new lamp, you have also received a free decorative storage box for the shelf.

THIS IS HOW IT WORKS

When your new lamp is out of the box you can keep the box and reuse it as a storage box for your small bits and bobs and place it on the shelf or on the top of your closet - repurposing the packaging for you and the environment.



So not only are UIMAGE's designs flat-packed to optimize the global logistics and the environmental footprint, but it ensures that you don't need to throw away tons of packaging material, that can just as well be reused for something new.

Read more about our many sustainability efforts:
umage.com/sustainability



Please follow the marked icons on the packaging materials for correct disposal of the remaining packaging materials:



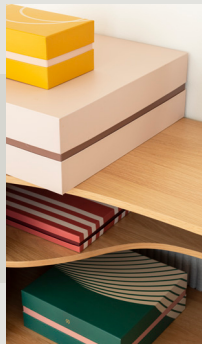
CARDBOARD



PAPER



Recycle your waste correctly
by searching for these icons on
the packaging



FOLLOW US ON SOCIAL MEDIA



@umagedesign | #umagedesign | umage.com




UMAGE



210506