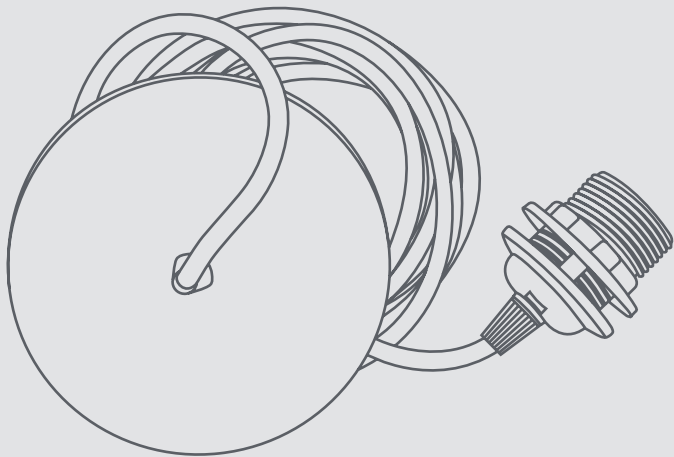


# CANOPY

textile cord set with canopy | user guide



UMAGE



## WITH LOVE FROM COPENHAGEN

At UIMAGE, our designers take inspiration from the distinct nature of the Nordic landscape to create unique designs related to the way we live in an urban setting. Influenced by the design language, colours and materials found around us in Scandinavia, we create a collection that is rooted in our home but designed for everyone.

Versatile, flexible and multifunctional, our designs are created to enhance an urban lifestyle in smaller spaces!

## **SAFETY PROCEDURES**

**Read and keep these instructions for future reference**

- **This product is NOT a children's toy and should NOT be used in any other manner than described throughout this user guide.**
- **Always turn electrical power off at the electrical service panel of the household before handling electrical wires. Keep electrical power turned off throughout the entire installation procedure.**
- **NEVER touch the light bulb immediately after the light has been turned off. Beware of possible scalding! Let the light bulb cool off sufficiently before changing the bulb.**

- **ONLY** use this product where the same official electrical and technical parameters, as described, exists!
- This product is for indoor use **ONLY**, excluding any wet areas.
- Do **NOT** install this product near flammable or heat-sensitive objects.
- Do **NOT** try to repair the product if any of the electrical or mechanical components are in any way broken, not as expected, or malfunctioning. Please contact a qualified electrician.



## **WARNING**

**Ignoring any of the Safety Instructions, or deviating from any of the steps in either the Installation-, the Maintenance- may result in a risk of fire or electric shock. You are advised to contact a qualified electrician for these procedures.**

## **INSTALLATION**

- 1. Remove the packaging carefully without the use of sharp objects (Fig. 1). 1x A - Cover and mounting bracket assembly. 3x B - Wire connectors.**
- 2. Undo the two screws holding together the cover and the mounting bracket (Do NOT throw away the screws). (Fig. 2).**
- 3. Fix the mounting bracket to the ceiling using screws suited for this product and for the ceiling (Fig. 3). NOTE: Screws and fittings are NOT in-**

cluded. Different types of ceilings require different types of screws and fittings. **NOTE:** Make sure that the mounting bracket is placed close enough to the ceiling outlet to avoid tension on the wire connections. **NOTE:** Make sure that the surface of the mounting bracket is flush with the surface of the ceiling.

- 4. Connect the wire from the ceiling outlet to the matching wires (colors) of the Canopy Cord Set using the supplied wire connectors. To ensure proper electrical connections feed the wire from the Canopy Cord Set along with the matching wire from the ceiling outlet into the tapped hole of the wire connector and twist the wire connector clockwise until the two wires are secured. (Fig. 4). To accommodate different ceiling heights the textile cord can be shortened. Loosening the strain relief knut and pull the textile cord further through the hole in the cover. Re-tightening the strain relief knut to lock the textile cord at the desired length**



**and cut off the excess textile cord and strip the insulation. For instruction to strip insulation correctly consult a qualified electrician. NOTE: Make sure to leave enough wire inside the cover to avoid tension on the wire connections.**

- 5. Re-position the cover onto the mounting bracket using the same screws previously holding together the cover and the mounting bracket (Fig. 5). Make sure that no wires are protruding from the cover and that neither the ceiling, the mounting bracket nor the cover causes any strain any of the the wires and/or the connections.**
- 6. If desired fasten a suitable lamp shade (NOT included) onto the socket by removing the ring-knut from the socket, fitting the lamp shade onto the socket and screwing the ring-knut back onto the socket until the lamp shade is completely fastened (Fig. 6). NOTE: Always refer to the lamp shade manual when installing a lamp shade. See**

**last section of the user guide for suitable lamp shade requirements.**

- 7. Install the bulb referring to the fixture markings and/or labels for maximum wattage. (Do NOT put your fingers into the socket!).**
- 8. Turn on power after installation of the lighting fixture has been completed.**

## **MAINTENANCE**

- Always turn electrical power off before cleaning the product or changing the bulb.**
- Cleaning should be done with dry cloth. Avoid using any form of moisture, solvents and chemicals. when cleaning the product.**
- NEVER touch the light bulb immediately after the light has been turned off. Beware of possible**

**scalding! Let the light bulb cool off sufficiently before changing the bulb.**

- **Avoid tension on the textile cord while handling the product.**

## **SUITABLE LAMP SHADES**

- **The diameter of the lamp shade should NOT exceed 15.75 in (400 mm).**
- **The lamp shade should have openings in both top and bottom to facilitate heat dissipation.**
- **The minimum diameter of open area of both top and bottom of the lamp shade should NOT be less than 4 in (100 mm); The open area in both top and bottom of the lamp shade is at least 3 in<sup>2</sup> (19.3 cm<sup>2</sup>).**
- **The weight of the lamp shade should NOT exceed 5 lb (2.3 kg).**

**! IMPORTANT !**

**CANOPY TEXTILE CORDSET SAFETY  
INSTRUCTIONS**

**(Read and keep these instructions for future  
reference)**

**Product name: Canopy**

**Model no.: 4007, 4008, 4029, 4030**

**Rating parameter: 120V, 60HZ, AC ONLY**

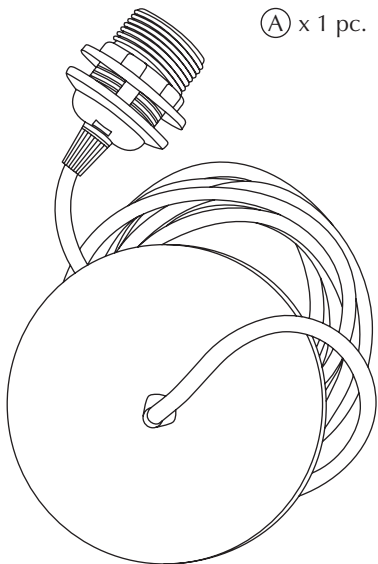
**Lamp type: E26 TYPE A / 60W MAX**

**NOTE**

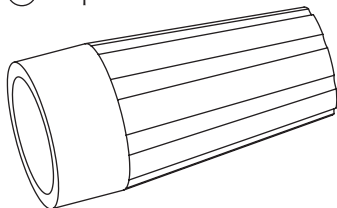
**THIS INSTRUCTION SHEET COVERS A VARIETY  
OF PRODUCTS (DIFFERENT COLORS AND  
SIZES), BUT WITH THE SAME APPLICATIONS.**

## ASSEMBLY GUIDE

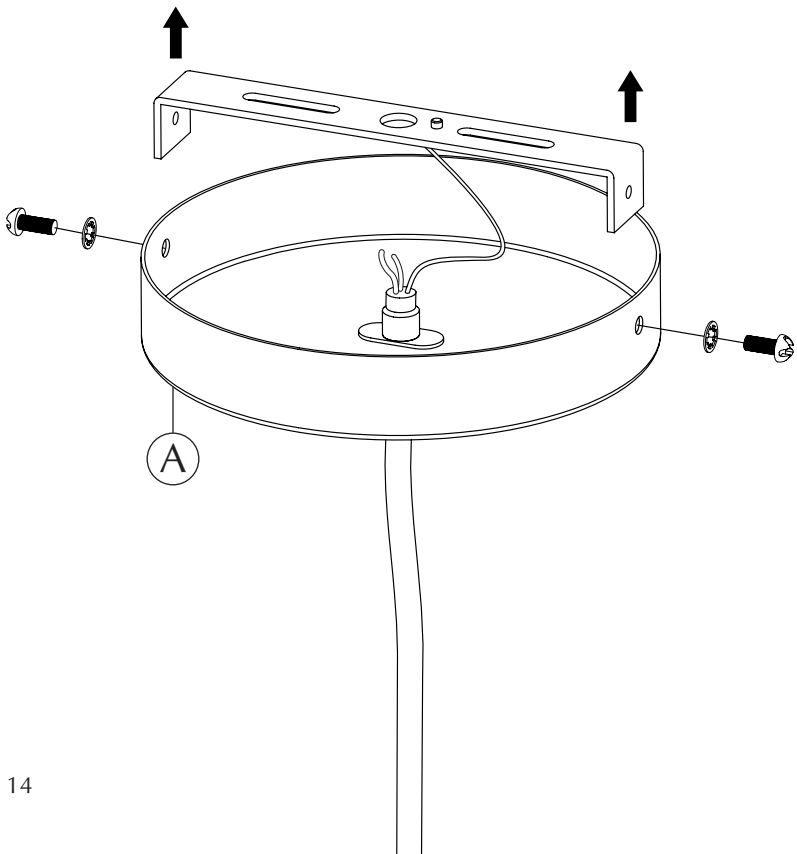
Ⓐ x 1 pc.

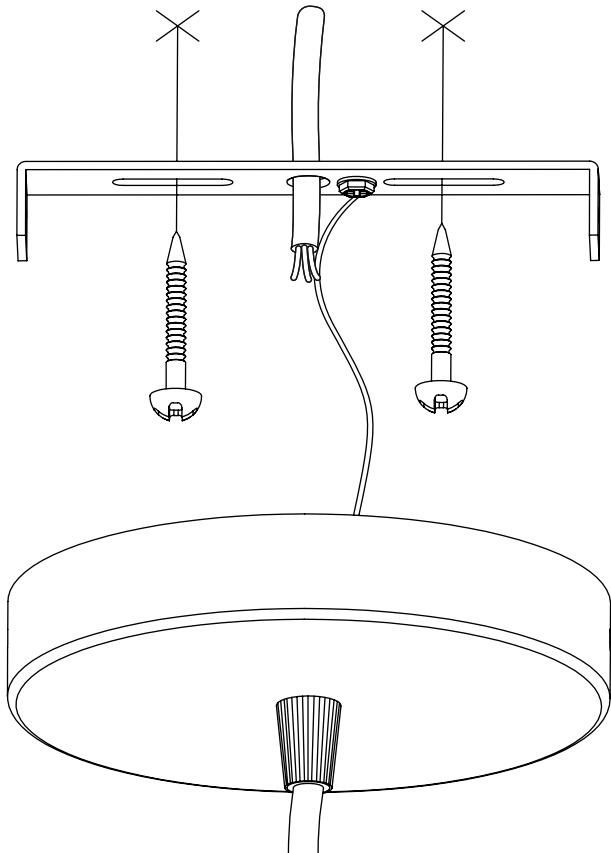


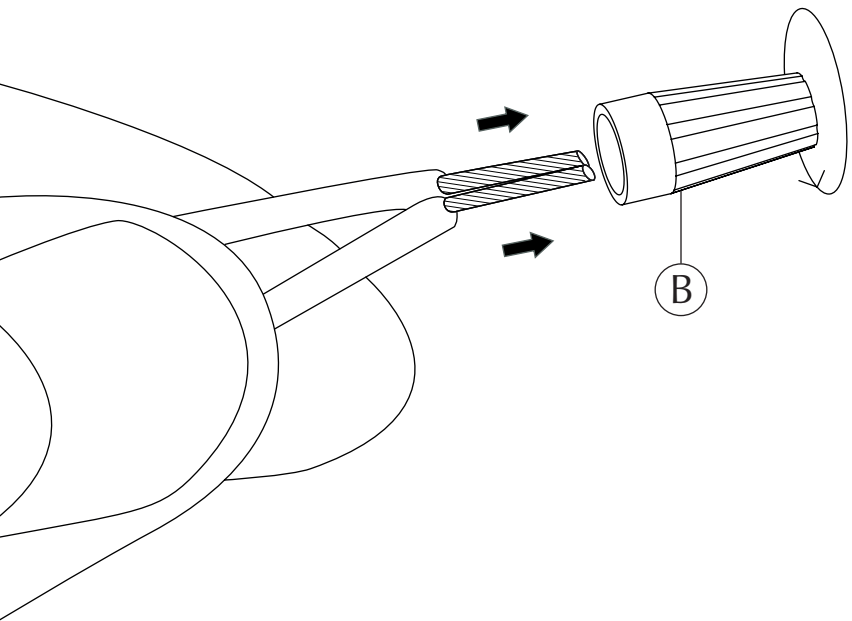
Ⓑ x 3 pcs.



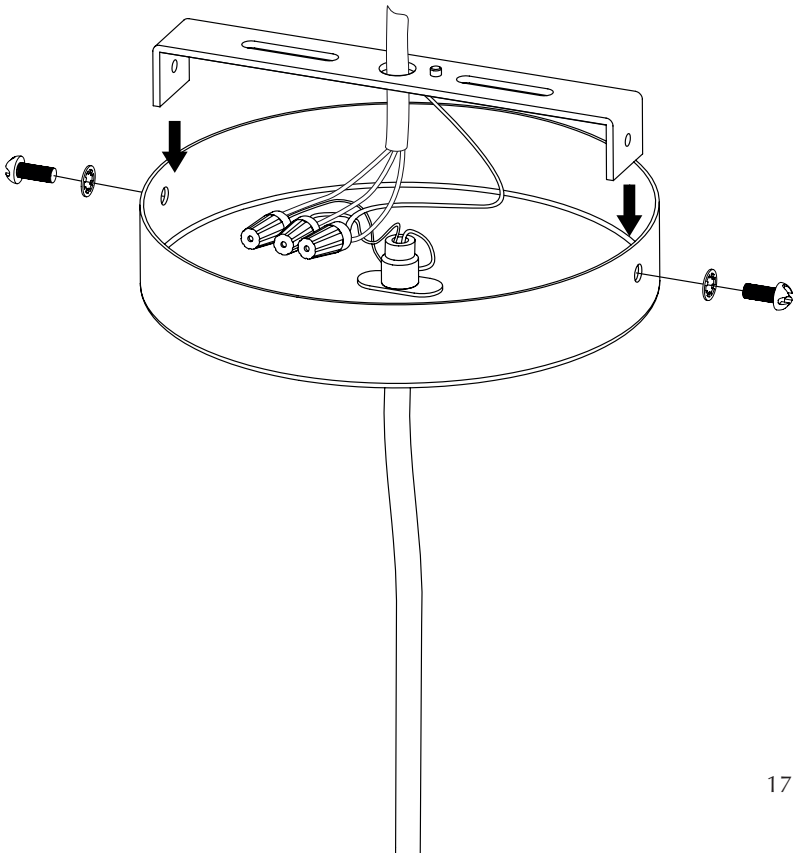
Find assembly videos by using the QR code or by going online at our website  
**[umage.com/instructions](http://umage.com/instructions)**

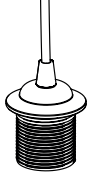




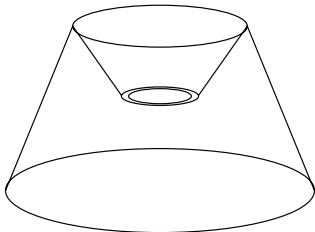




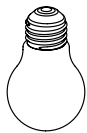




┌ >100 MM ─┐



┌────────── >100 MM ──────────┐



**ACORN**  
amber brass



## SUSTAINABLE SUSTAINABILITY EFFORTS

We are dedicated being sensible frontrunners on the environmental responsibility. If we provide timeless and functional quality designs that last, we know nature will prevail, as will UIMAGE.

*“SAVING THE SCENT OF THE FOREST  
AFTER AN EARLY MORNING RAIN”*



### GIVING BACK TO NATURE

In collaboration with the NGO One Tree Planted, we are planting a tree every time one of our designs made from wood are being sold. Furthermore, we are compensating for the polypropylene products we sell, by donating part of the profits to the NGO Plastic Change, supporting the World ocean clean-up and minimizing plastic pollution.

## MULTIFUNCTION AND FLEXIBILITY

One of the key aspects of the designs at UIMAGE is multiple functions and flexibility. Designing with more than one function in mind is a sustainable mindset as it reduces the number of products you need to buy to get a complete setting for your space.



## REUSABLE PACKAGING

To minimize packaging waste, most of the packaging from our lighting collection is repurposed to be used as beautiful storage boxes afterwards. Learn more on the next page...



## REUSABLE PACKAGING

With your new lamp, you have also received a free decorative storage box for the shelf.

### THIS IS HOW IT WORKS

When your new lamp is out of the box you can keep the box and reuse it as a storage box for your small bits and bobs and place it on the shelf or on the top of your closet - repurposing the packaging for you and the environment.



So not only are UIMAGE's designs flat-packed to optimize the global logistics and the environmental footprint, but it ensures that you don't need to throw away tons of packaging material, that can just as well be reused for something new.

Read more about our many sustainability efforts:  
[umage.com/sustainability](https://umage.com/sustainability)



Please follow the marked icons on the packaging materials for correct disposal of the remaining packaging materials:



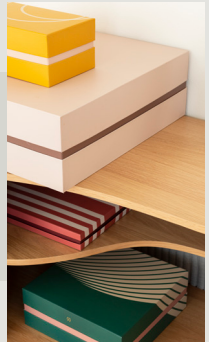
CARDBOARD



PAPER



Recycle your waste correctly  
by searching for these icons on  
the packaging



FOLLOW US ON SOCIAL MEDIA



@umagedesign | #umagedesign | umage.com



UMAGE



2110622