

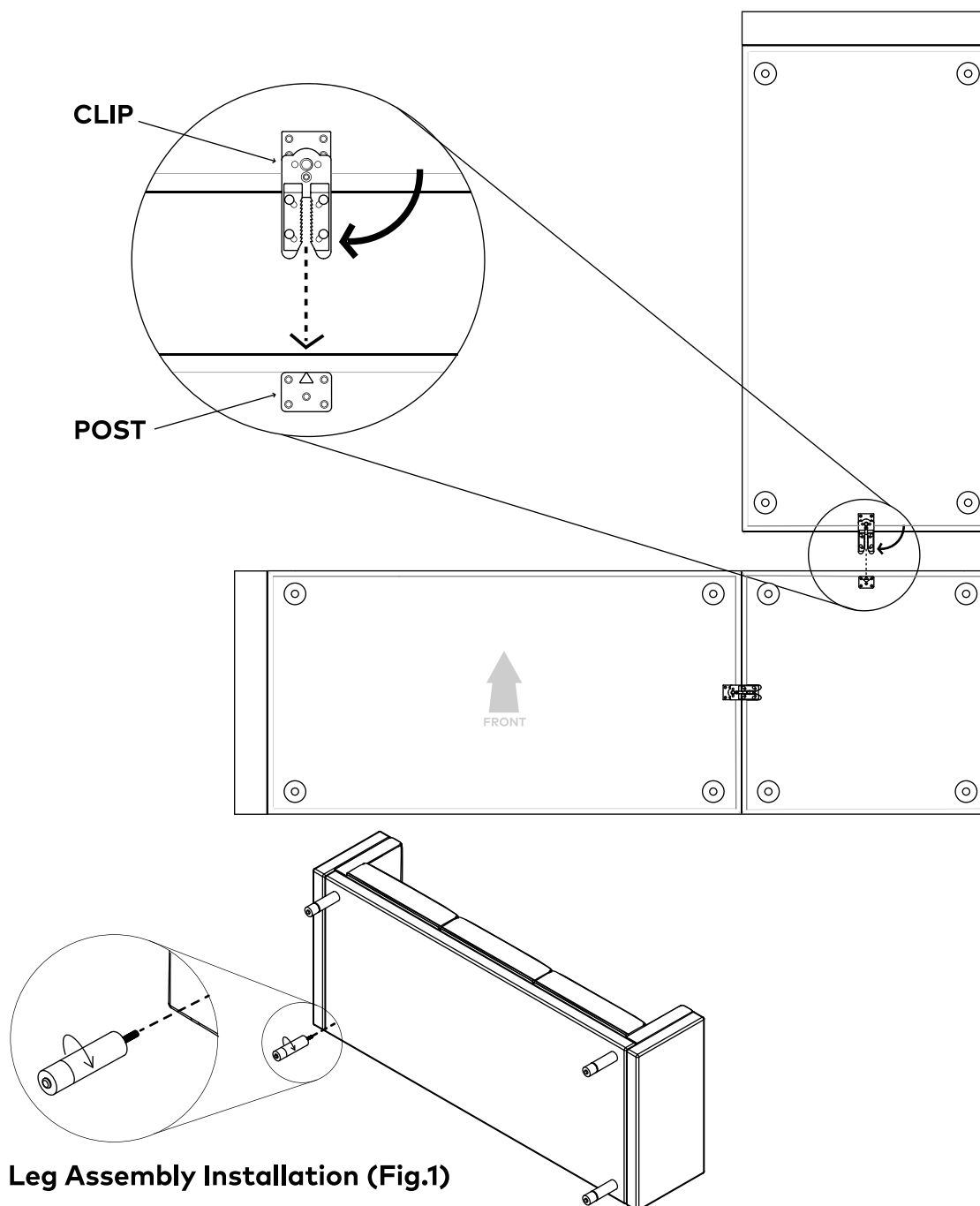
Augusta Bi-Sectional

ASSEMBLY INSTRUCTIONS

KEEP ALL PACKAGING MATERIALS UNTIL YOU HAVE VERIFIED ALL COMPONENTS AND PARTS

1. Set cushions aside in a clean area close by.
2. Gently rest the back of the sectional components onto a clean flat surface.
3. To install the wood legs, align the threaded rod found at the top of each leg, with the holes located on the underside of the component. **See Fig.1**
4. Turn components upright. We recommend doing this with 2 or more people to avoid excess pressure on individual legs.
5. Locate the sectional connector clips and rotate outwards so the clip is perpendicular with the edge of the sectional component.
6. Align the clip with the post on each component, and push together until they lock in place.
7. Place all the seat cushions on the sectional once all the components are connected.

To help maintain the appearance of your sectional, we recommend spot cleaning the upholstery with a gentle soap and water. The legs can be cleaned with a damp, soft cloth. Do not use abrasive cleaning products. Depending on use, it may be necessary to tighten the legs periodically to maximize stability.



Leg Assembly Installation (Fig.1)



Modern
furniture
made
simple.