

ASTERIA UP

large | user guide



UIMAGE



WITH LOVE FROM COPENHAGEN

At UIMAGE, our designers take inspiration from the distinct nature of the Nordic landscape to create unique designs related to the way we live in an urban setting. Influenced by the design language, colours and materials found around us in Scandinavia, we create a collection that is rooted in our home but designed for everyone.

Versatile, flexible and multifunctional, our designs are created to enhance an urban lifestyle in smaller spaces!

ENGLISH

IMPORTANT! Always shut off the power to the circuit before starting installation work. In some countries, electrical installation work may only be carried out by an authorised electrical contractor. Contact your local electricity authority for advice.

Different wall materials require different types of screws. Always choose screws that are specially suited to the materials of your walls.

The light source of this luminaire is not replaceable; when the light source reaches its end of life the whole luminaire shall be replaced.

FRANÇAIS

ATTENTION! Toujours couper l'alimentation au panneau principal avant de procéder à l'installation. Dans certains pays, l'installation doit être effectuée par un électricien qua-

lifié. Pour en savoir plus, contacter les autorités locales compétentes en la matière.

Le choix des vis dépend du matériau dans lequel elles doivent être fixées. Utiliser des vis adaptées au matériau de votre mur.

La source lumineuse de ce luminaire n'est pas remplaçable ; quand la source lumineuse a atteint la fin de sa durée de vie, le luminaire entier doit être remplacé.

ESPAÑOL

IMPORTANTE! Desconecta siempre el interruptor general de la electricidad antes de iniciar cualquier trabajo de instalación. En algunos países, la instalación eléctrica sólo puede realizarla un electricista profesional. Ponte en contacto con las autoridades locales para saber cuál es tu caso.

Diferentes materiales de pared requieren diferentes tornillos. Completa con aquellos que mejor se adapten a tu tipo de pared.

La fuente de luz de esta luminaria no es reemplazable. Cuando finalice la vida útil de la fuente de luz, se deberá reemplazar la luminaria por completo.



For recommended external dimmers, go to **[umagepress.com](https://www.umagepress.com)**

INSTALLATION INSTRUCTIONS

Important information!
Keep these instructions for future use

CAUTION

Before starting, turn off power at main circuit panel.

IMPORTANT SAFETY INSTRUCTIONS

- **For indoor use only.**
- **Regularly check the cord, the transformer and all other parts for damage.**
- **If any part is damaged the product should not be used.**

CLEANING

Use a damp cloth, never a strong cleaning agent.

WARNING

Deviation from the assembly instructions may result in a risk of fire or electric shock.

INSTRUCTIONS D'INSTALLATION

Information importante. Conserver la notice pour toute utilisation ultérieure

ATTENTION

Coupez l'alimentation avant de procéder à l'installation.

CONSIGNES DE SÉCURITÉ IMPORTANTES

- **Uniquement pour une utilisation en intérieur.**
- **Vérifier régulièrement que le câble, le transformateur et les autres parties ne sont pas endommagés.**
- **Si l'une de ces pièces est endommagée, ne pas utiliser le produit.**

ENTRETIEN

Nettoyer à l'aide d'un chiffon humide, éviter les détergents puissants.

ATTENTION

Tout écart par rapport aux instructions d'assemblage peut entraîner un risque d'incendie ou de choc électrique.

INSTRUCCIONES DE MONTAJE

¡Información importante! Guarda estas instrucciones para consultarlas en el futuro

ADVERTENCIA

Antes de comenzar el montaje, cortar la luz en el cuadro general.

INSTRUCCIONES IMPORTANTES DE SEGURIDAD

- **Sólo para uso en interiores.**
- **Comprueba regularmente el cable, el transformador y todos los otros componentes en busca de daños.**
- **Si cualquier componente estuviese dañado, no deberá usarse el producto.**

LIMPIEZA

Usa un trapo húmedo. Nunca uses un detergente fuerte.

ADVERTENCIA

No seguir las instrucciones de montaje puede resultar en incendio o descarga eléctrica.

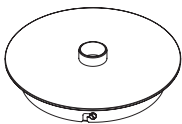


DESIGNED BY
SØREN RAVN CHRISTENSEN

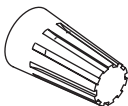
“ The illusion of earthly weightlessness had to be challenged by a light design that defies gravity. ”

ASSEMBLY GUIDE

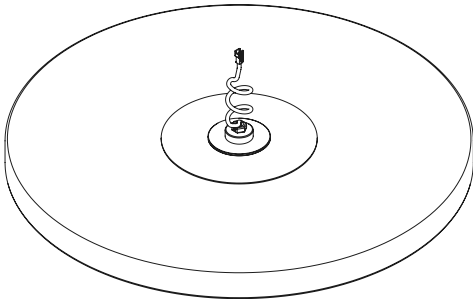
Ⓒ x 1 pc.



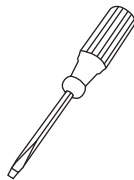
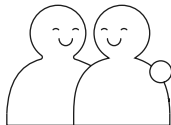
Ⓓ x 3 pcs.



Ⓐ x 1 pc.



x 1 friend

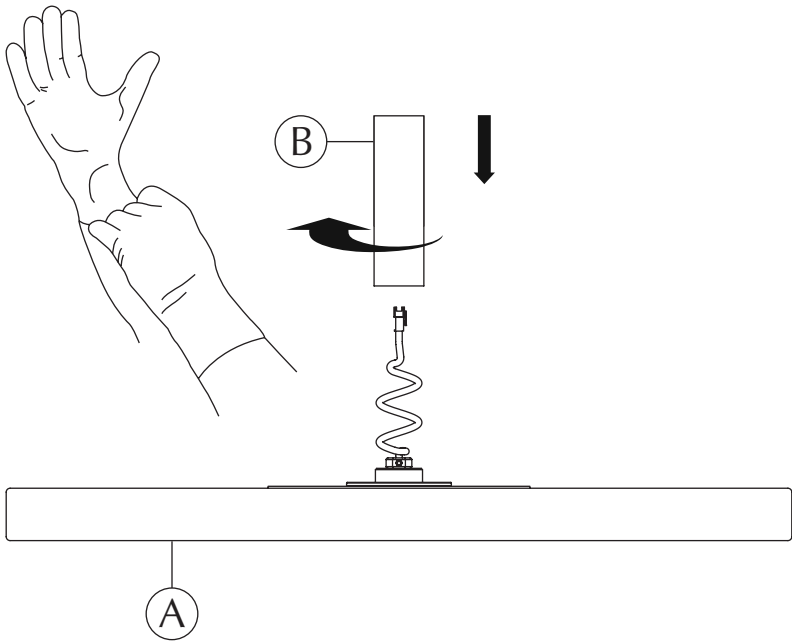


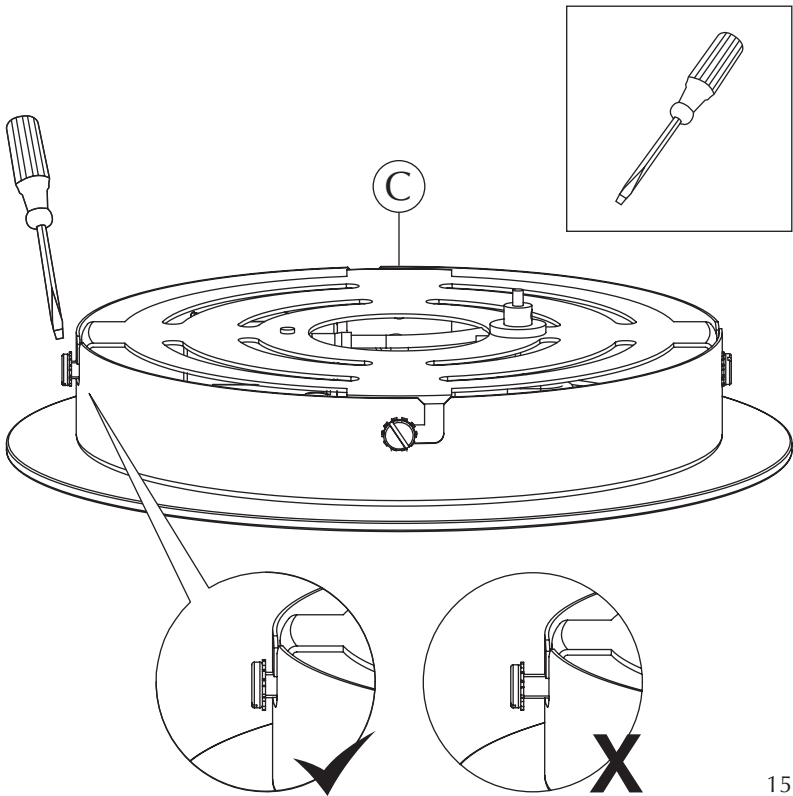
Not included

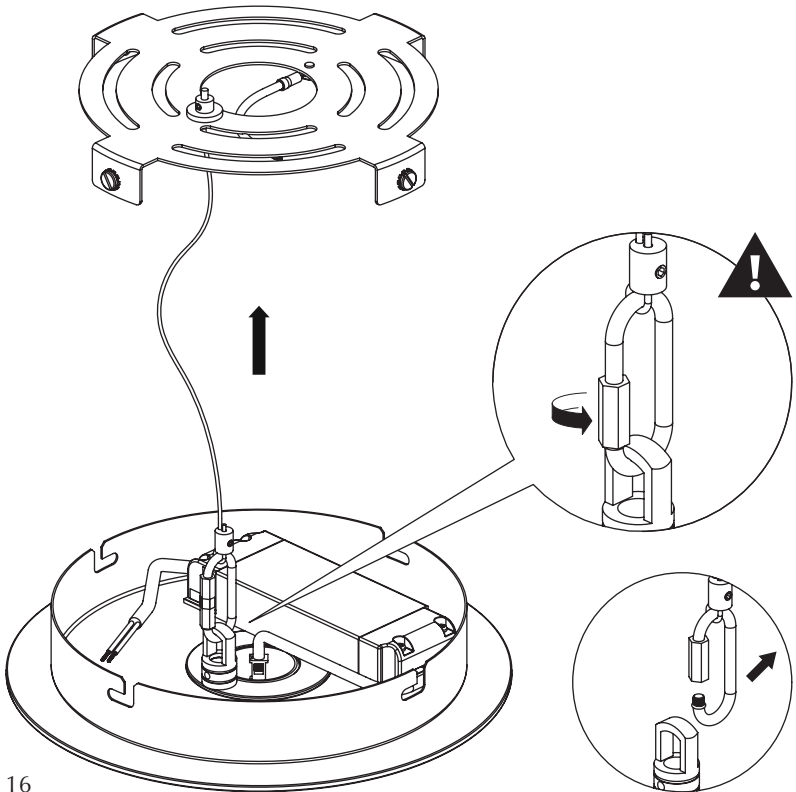
Ⓑ x 1 pc.

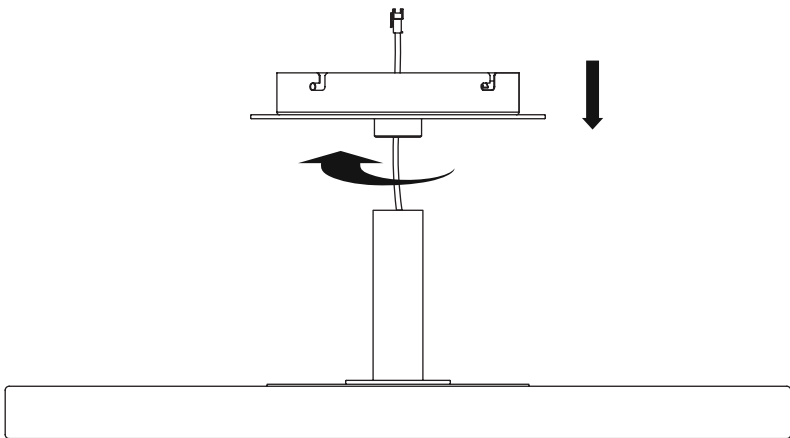


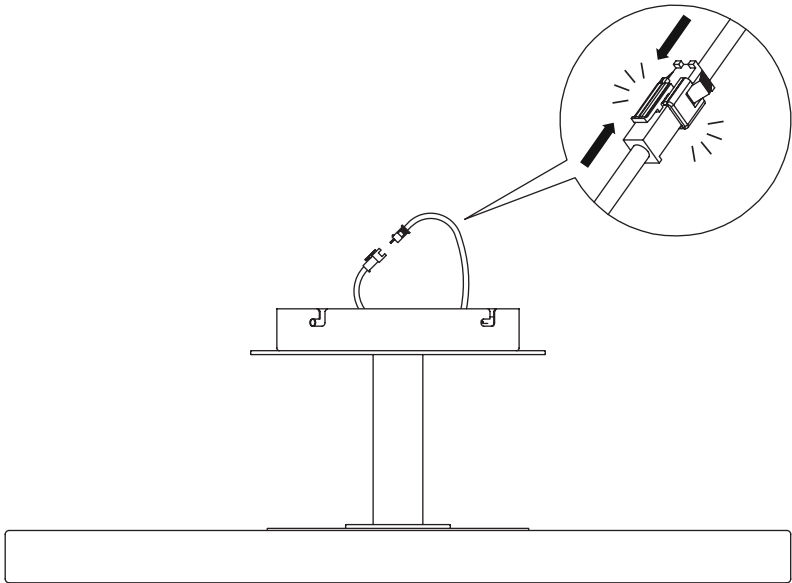
Find assembly videos by using the QR code or by going online at our website
umage.com/instructions

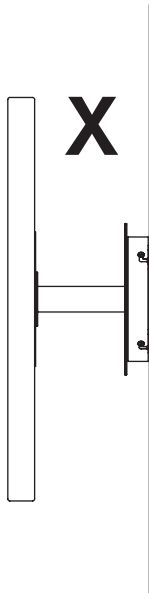
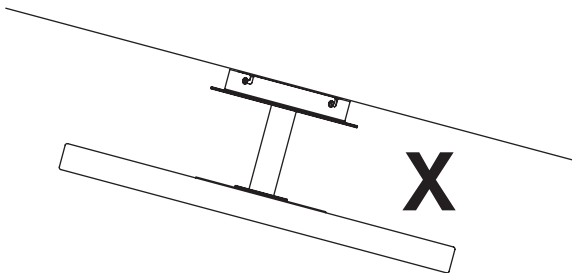
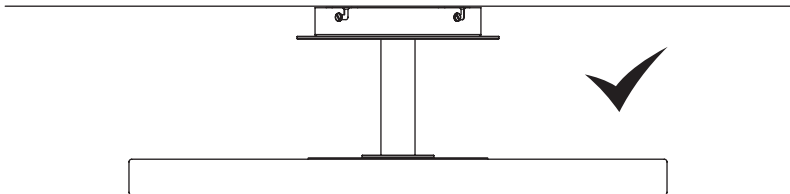


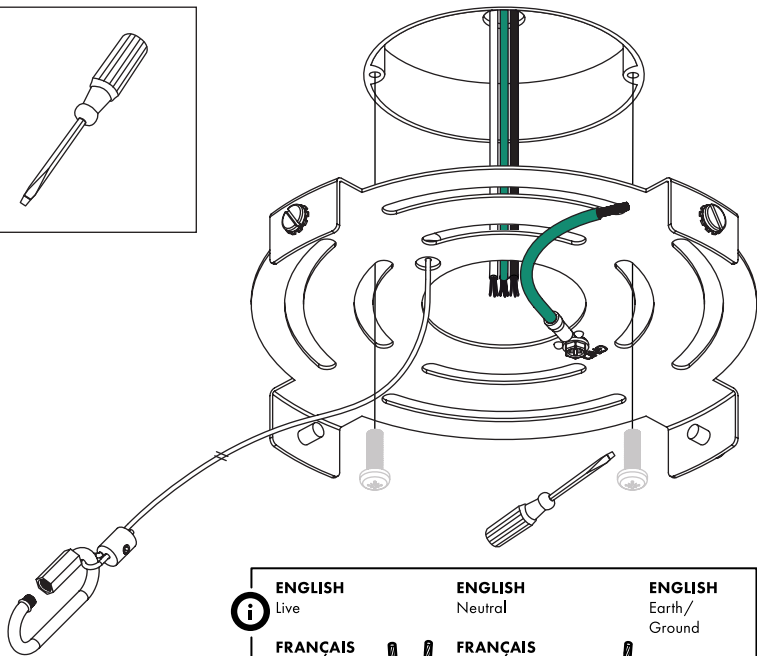
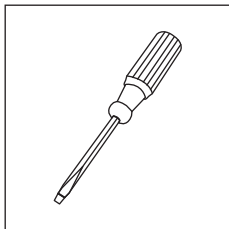












ENGLISH

Live

FRANÇAIS

Phase

ESPAÑOL

Con corriente.

ENGLISH

Neutral

FRANÇAIS

Neutre

ESPAÑOL

Neutro

ENGLISH

Earth/
Ground

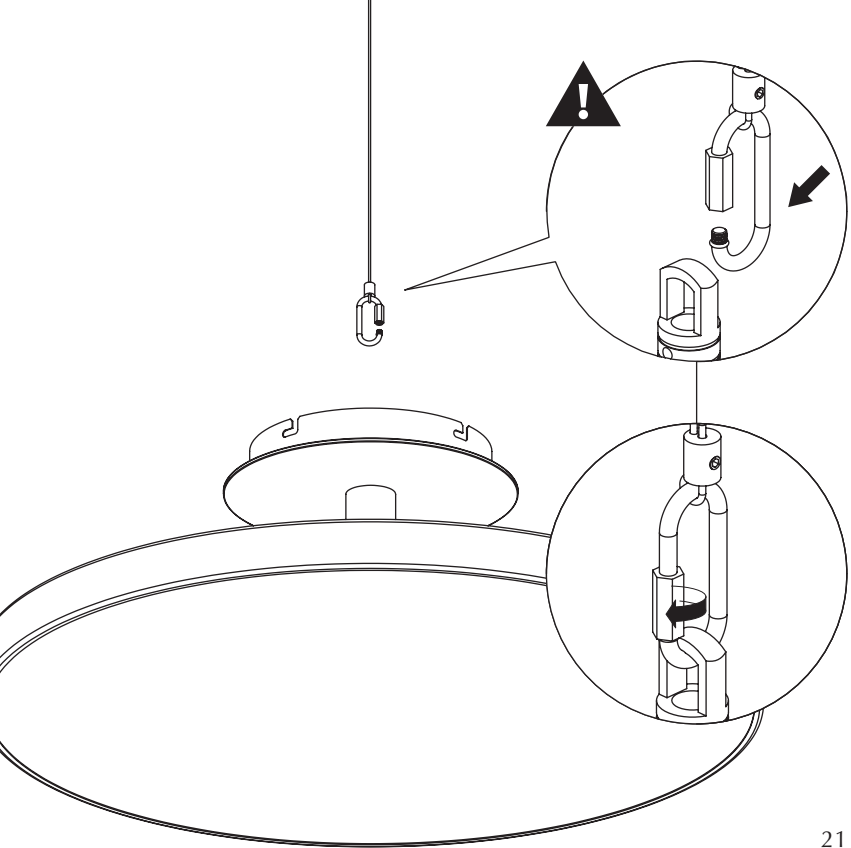
FRANÇAIS

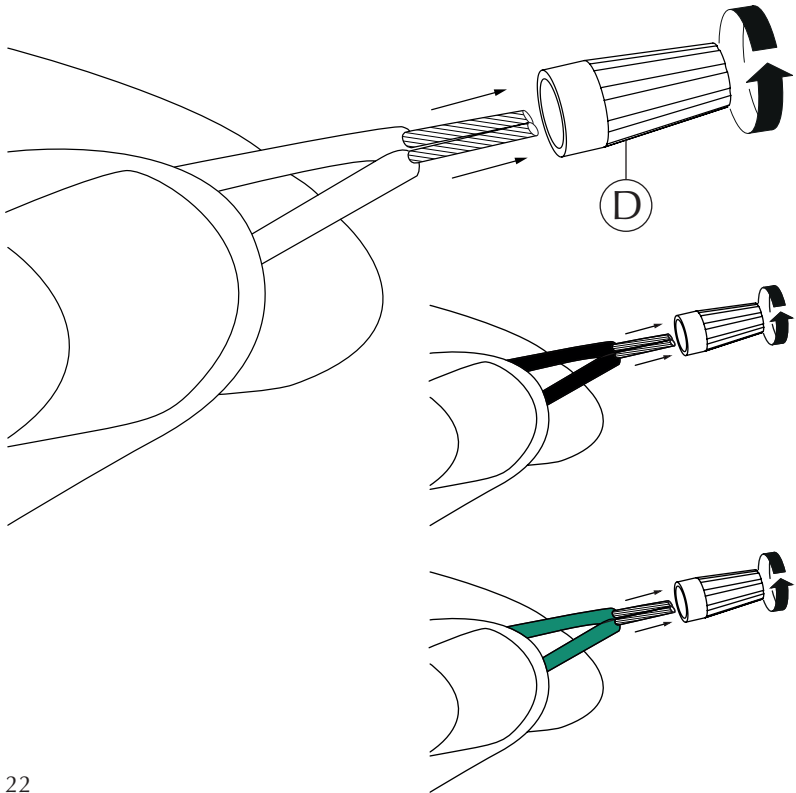
Terre

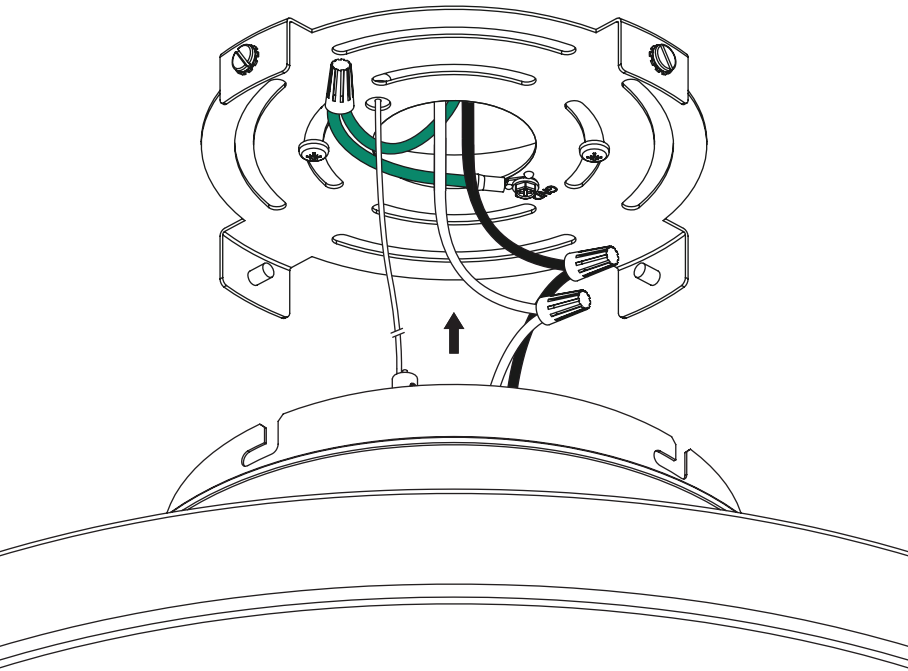
ESPAÑOL

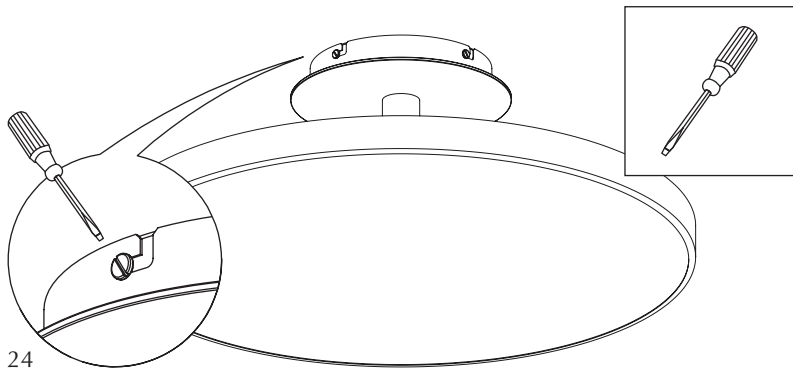
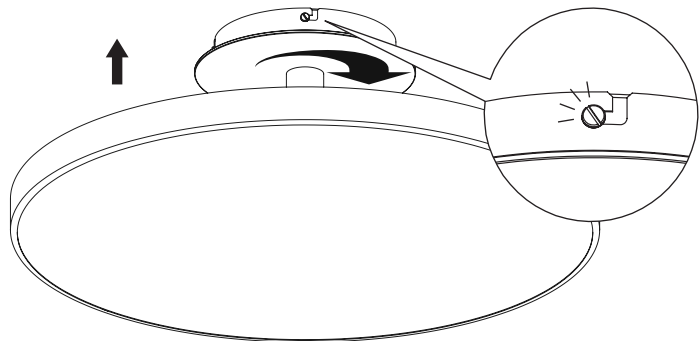
Tierra













SUSTAINABLE SUSTAINABILITY EFFORTS

We are dedicated being sensible frontrunners on the environmental responsibility. If we provide timeless and functional quality designs that last, we know nature will prevail, as will UIMAGE.

*“SAVING THE SCENT OF THE FOREST
AFTER AN EARLY MORNING RAIN”*



GIVING BACK TO NATURE

In collaboration with the NGO One Tree Planted, we are planting a tree every time one of our designs made from wood are being sold. Furthermore, we are compensating for the polypropylene products we sell, by donating part of the profits to the NGO Plastic Change, supporting the World ocean clean-up and minimizing plastic pollution.

MULTIFUNCTION AND FLEXIBILITY

One of the key aspects of the designs at UIMAGE is multiple functions and flexibility. Designing with more than one function in mind is a sustainable mindset as it reduces the number of products you need to buy to get a complete setting for your space.



REUSABLE PACKAGING

To minimize packaging waste, most of the packaging from our lighting collection is repurposed to be used as beautiful storage boxes afterwards. Learn more on the next page...

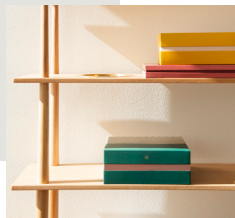


REUSABLE PACKAGING

With your new lamp, you have also received a free decorative storage box for the shelf.

THIS IS HOW IT WORKS

When your new lamp is out of the box you can keep the box and reuse it as a storage box for your small bits and bobs and place it on the shelf or on the top of your closet - repurposing the packaging for you and the environment.



So not only are UIMAGE's designs flat-packed to optimize the global logistics and the environmental footprint, but it ensures that you don't need to throw away tons of packaging material, that can just as well be reused for something new.

Read more about our many sustainability efforts:
umage.com/sustainability



Please follow the marked icons on the packaging materials for correct disposal of the remaining packaging materials:



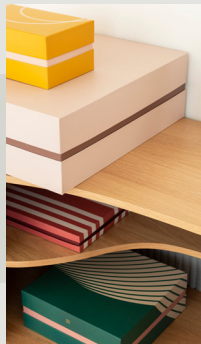
CARDBOARD



PAPER



Recycle your waste correctly
by searching for these icons on
the packaging



FOLLOW US ON SOCIAL MEDIA



@umagedesign | #umagedesign | umage.com



UMAGE



210630