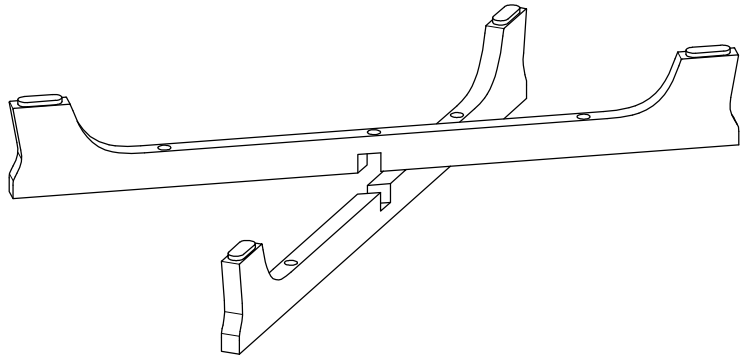
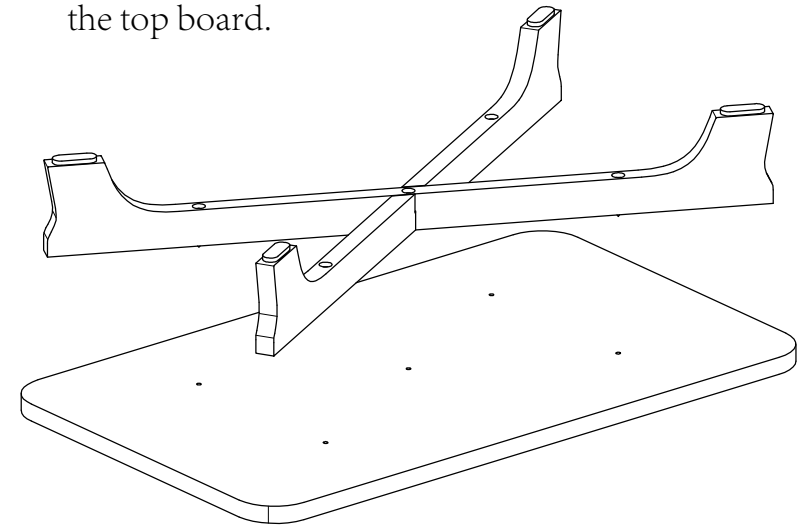


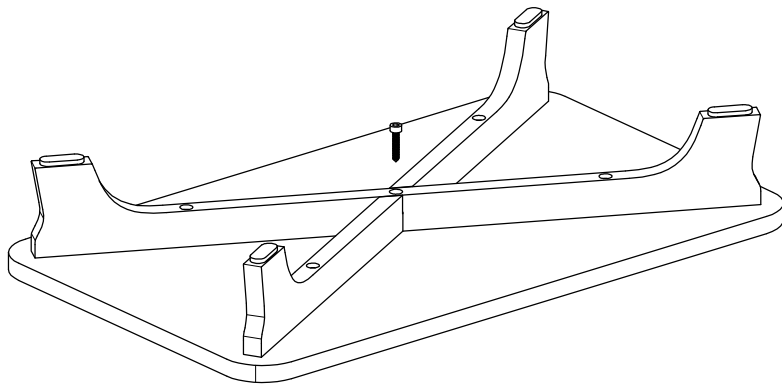
1. Align the slots in the leg boards and put the two leg boards together



2. Put the leg boards onto the stand top board, aligning the screw holes in the leg boards and the top board.



3. Drive the 1st screw into the leg board center screw holes and top board center screw hole to lock them together.



4. Align the leg board screw holes and the top board screw holes to drive in the other 4 screws.

