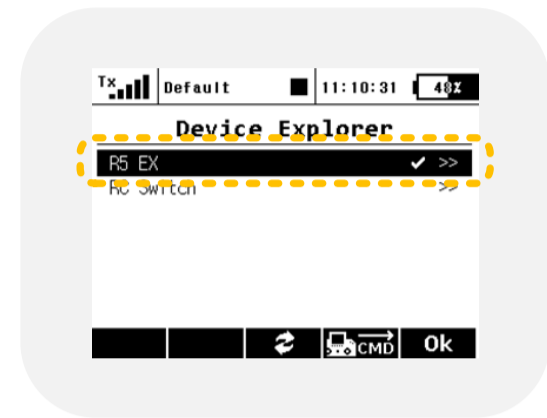


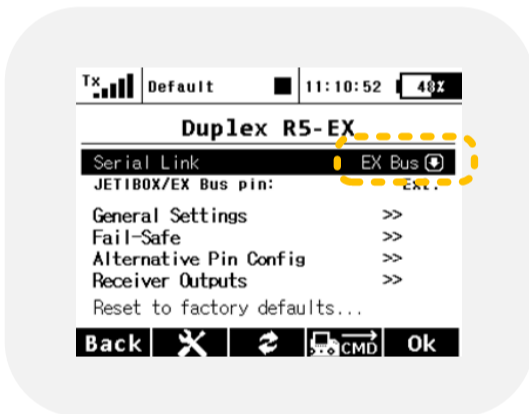
Receiver Configuration and Connection

- Turn on Transmitter & Receiver
- Open **Device Explorer** from Model menu
- Select receiver from list



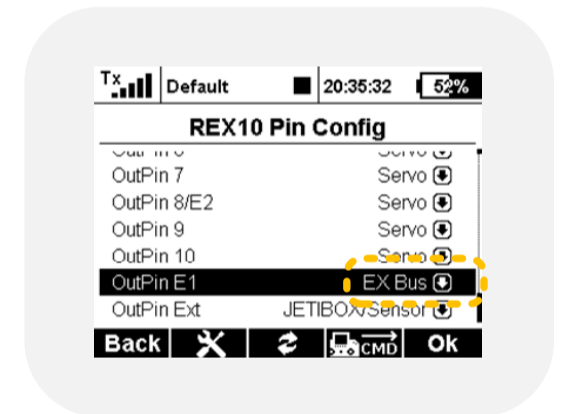
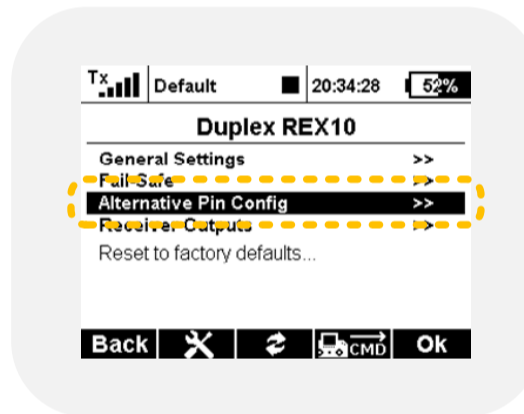
For EX Receivers:

- Set **Serial Link** to **EX Bus**



For REX Receivers:

- Select **Alternative Pin Config**
- Set **OutPin E1** or **OutPin E2** to **EX Bus**

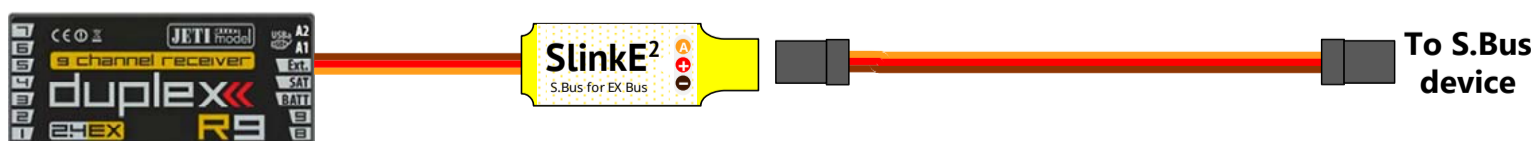


- Connect SlinkE to **Ext** port on receiver (**E1** or **E2** on REX)

*Note some R4L US receivers are incorrectly labelled – **Ext** is on **port 3/usb***



- Connect S.Bus device cable to **"A"** port on SlinkE2

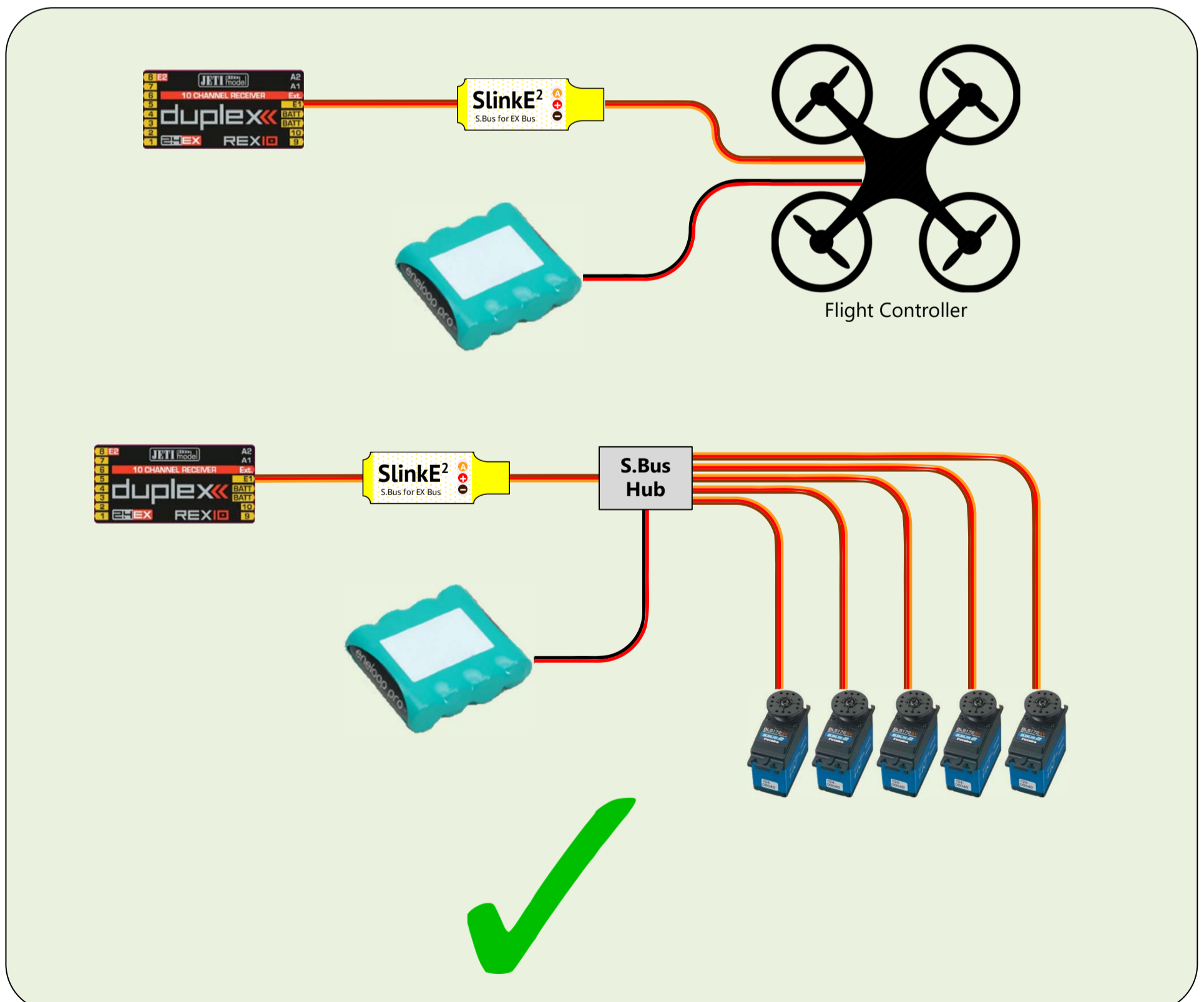


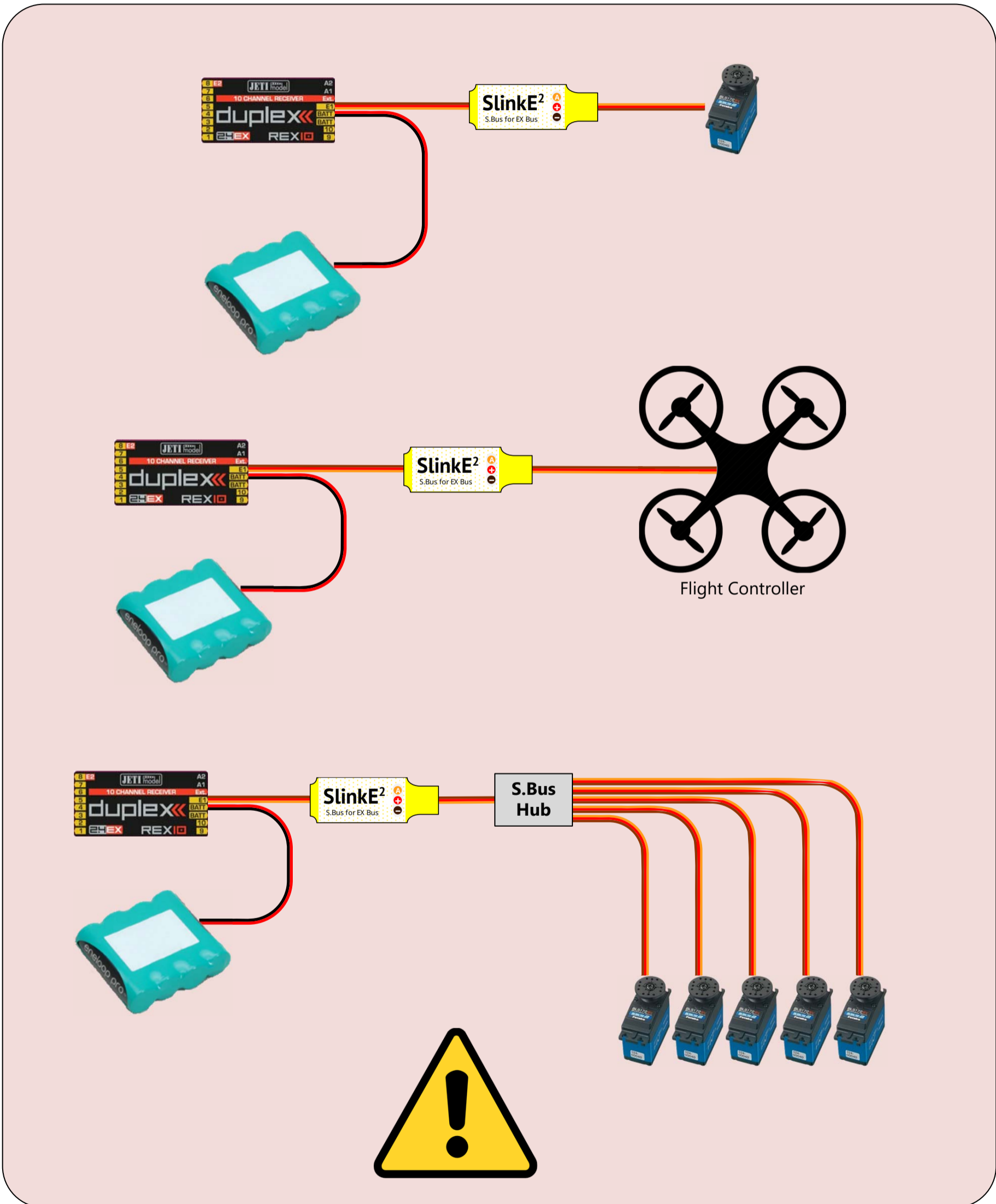
Power Connections

Avoid drawing high currents from Jeti receiver EXT port !

SlinkE2 is rated for 3.5A continuous current, but the EXT port on many Jeti receivers (and Central Boxes) is only rated for ~100mA or less.

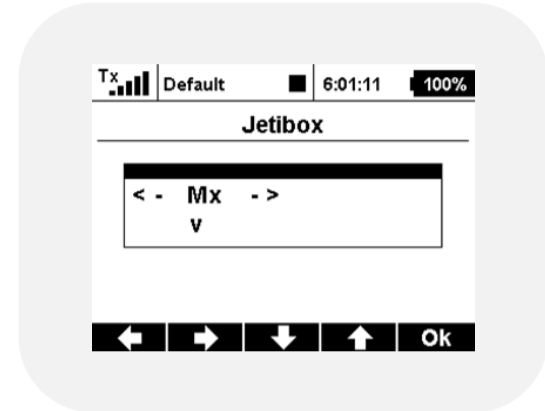
Arrange power connections so that high currents are not passed through the Jeti receiver ports.



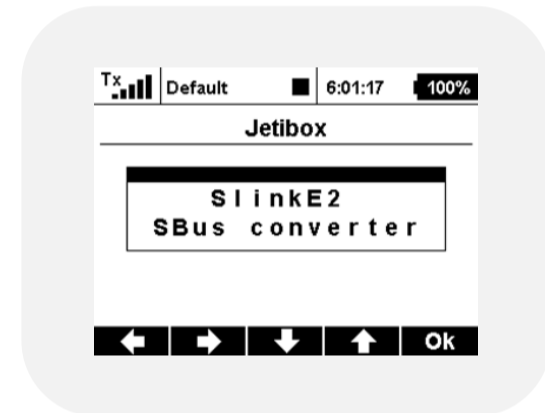


SlinkE2 Configuration using Jetibox

- From Tx, select **Applications... Jetibox**
- Use left/right arrow buttons to **Mx**



- Use down arrow button to enter SlinkE2 menu



- Use up/down arrow buttons to change between different settings
- Use left/right arrow buttons to adjust settings

Changes to settings take effect immediately, and are stored in memory.

Available settings are shown below:

Failsafe:

- Off
- Hold last

Speed:

- Normal 14ms
- High 7ms

Polarity:

- Normal (inv)
- Reversed

