



# Cordless Vacuum Cleaner **User Manual**

GSC45

EN

Please read this user manual carefully before using the vacuum cleaner and keep it properly.

# Thank you!

Dear New Greenote Vacuum Cleaner GSC45 Owner,

Thank you so much for purchasing Greenote cordless vacuum cleaner GSC50. We would like to say using Greenote vacuum cleaner is a good choice for you. We hope this little guy will change your life!

The Greenote team has prepared this kit to help you and your family to better enjoy GSC45.



## USER MANUAL

All the details about parts, uses, maintenance, tips and more.



## WARRANTY INFORMATION

It's important to make you guarantee, please don't throw it away.



## CUSTOMER SERVICE INFO

scan below QR Code or send following email to get the solution if you have any questions

[vc.support@greenotehome.com](mailto:vc.support@greenotehome.com)



## OFFICIAL WEBSITE

[www.greenotehome.com](http://www.greenotehome.com)

Greenote Team

## Caution

Before using this product, please read all the contents in the manual carefully.

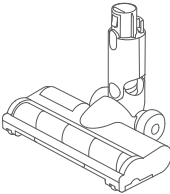
1. This vacuum cleaner is a dry vacuum cleaner, not for sucking water, detergent and other liquids and items with wet surfaces. Do not pour water or other liquids into the machine. It may cause a short circuit and damage the machine.
2. Do not use this vacuum cleaner to suck tiny particles such as flour, cement, plaster powder, wall powder or larger objects such as toys and paper balls, otherwise it will cause motor burnout and blockage of the vacuum cleaner.
3. When cleaning the vacuum cleaner, please use a dry cloth to wipe it, do not use gasoline, banana water or other cleaning agents that can easily crack or fade the surface of the vacuum cleaner.
4. Please do not use or store the vacuum cleaner under unfavorable conditions such as high temperature, low temperature, etc. It is recommended to use it under the ambient temperature of 0~40°C, please store it in a cool and dry place, and forbid long time sunlight exposure.
5. When using a new battery or using the battery for the first time after long-term storage, please fully charge the battery first. When storing this vacuum cleaner for a long time without using, please ensure a full discharge and full charge every three months.
6. Do not use the vacuum cleaner or perform cleaning and maintenance while it is charged.
7. Only use the charger included in the package to charge this vacuum cleaner.
8. Please do not put the battery near hot objects or flames, and do not insert sharp objects into the battery.
9. In view of the characteristics of lithium batteries, the maximum power of the battery may decay after about 2 years of use. But please do not worry, we provide all buyers with a three-year warranty service and parts replacement service, during the warranty period, you can contact our after-sales mailbox to get all the damaged parts including the decaying battery replacement. Our after-sales email:

[vc.support@greenotehome.com](mailto:vc.support@greenotehome.com)

# Packing List



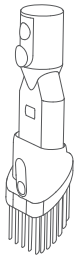
Main Machine



Electric Floor Brush



Wall Mount Bracket



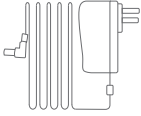
2 in 1 Combination Brush



Long Flat Straw



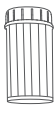
Telescopic Tube



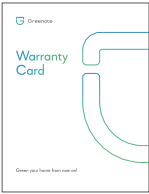
Power Adapter



Dust Cup Cartridge



Air Outlet Cartridge

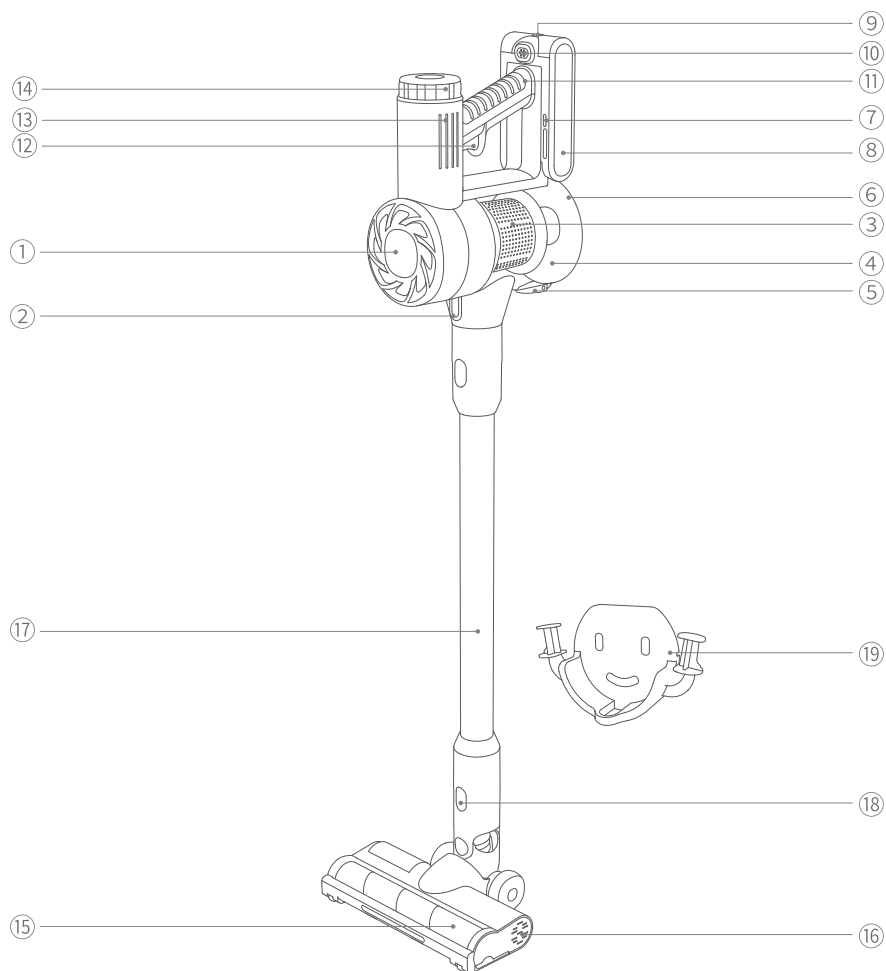


Certification



Instruction Manual

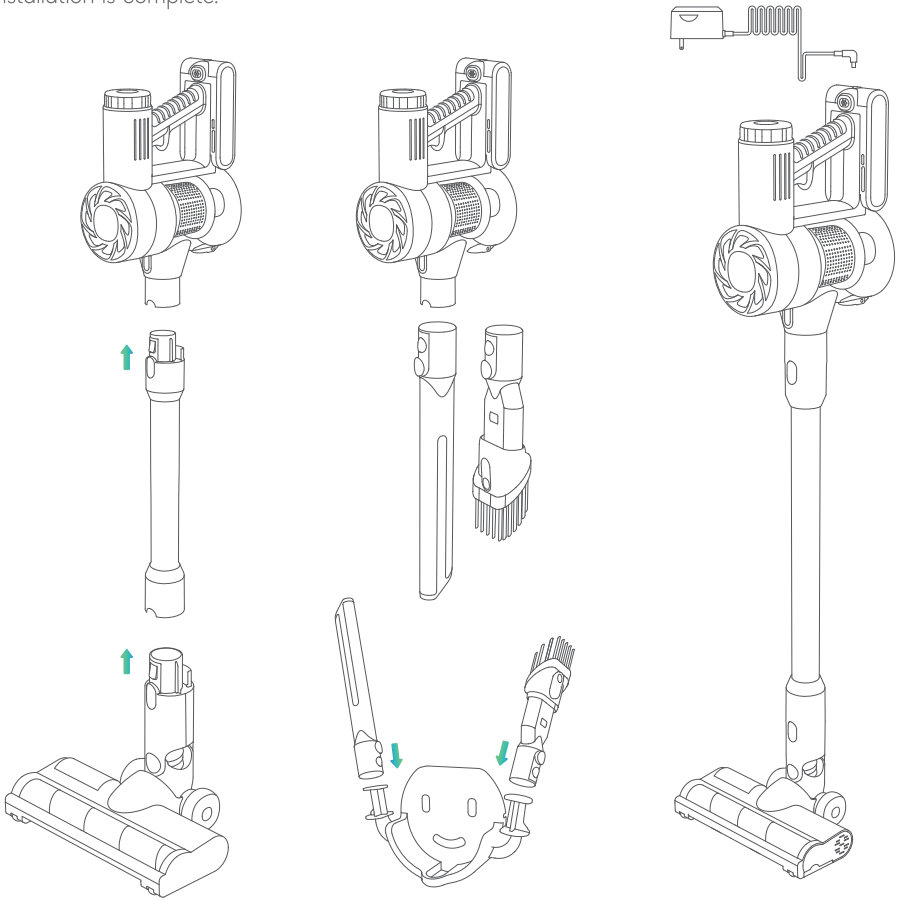
## Parts Introduction



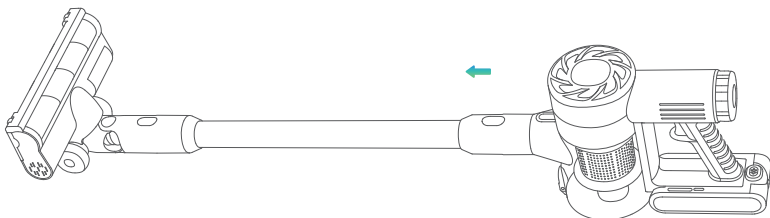
- |                           |                          |                          |
|---------------------------|--------------------------|--------------------------|
| ① Main Unit               | ⑧ Battery Pack           | ⑭ Air Outlet Filter      |
| ② Interface               | ⑨ Charging Port          | ⑮ Tumbler                |
| ③ Filter                  | ⑩ Battery Release Button | ⑯ Tumbler Release Button |
| ④ Dust Cup                | ⑪ Handle                 | ⑰ Telescopic Tube        |
| ⑤ Dust Cup Release Button | ⑫ Power Switch           | ⑱ Wall Bracket           |
| ⑥ Dust Cup Cover          | ⑬ Air Outlet             |                          |
| ⑦ Mode Button             |                          |                          |

# Multiple Applicable Modes

Installation: Connecting the accessories, when the "Ka" sound is heard, it means that the installation is complete.

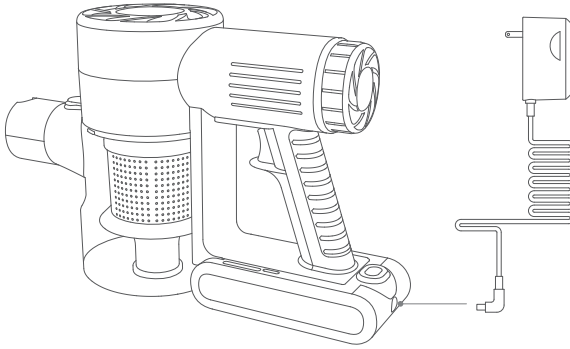


Removal: The accessories can be easily detached by pressing the button on the face of the accessory and pulling outwards.

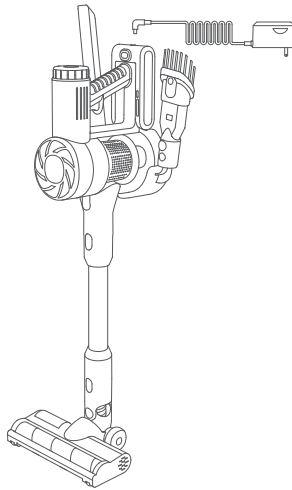


# Charging Modes

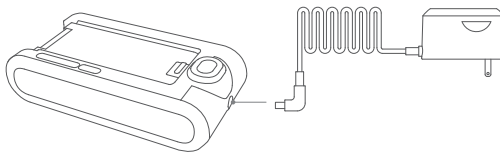
1. Connect the charger directly to the battery pack charging port to charge the main unit.






2. Mount the wall mount on the wall first, then hang the vacuum cleaner on the mount, then connect the adapter to the battery charging port for charging.



3. Remove the battery from the main unit, then connect the charger to the battery pack charging port for charging.

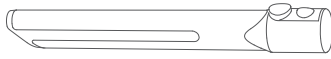


## Charging Indicator

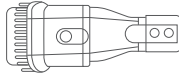
There are three charging indicators on the battery: 30% , 60% , and 100% , and by following these three markers, you can clearly see the current charge level of the battery. We recommend fully charging the battery before each use to get the best cleaning experience.

## Accessory Brush

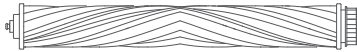
Long Straw: For cleaning narrow areas such as sofa crevices, windows, tables and chairs.



2-in-1 Brush: For cleaning carpets, beds, curtains, ceilings, etc.



Lint Roller Brush: For cleaning dust, debris, hair, etc. from floors or tiles.

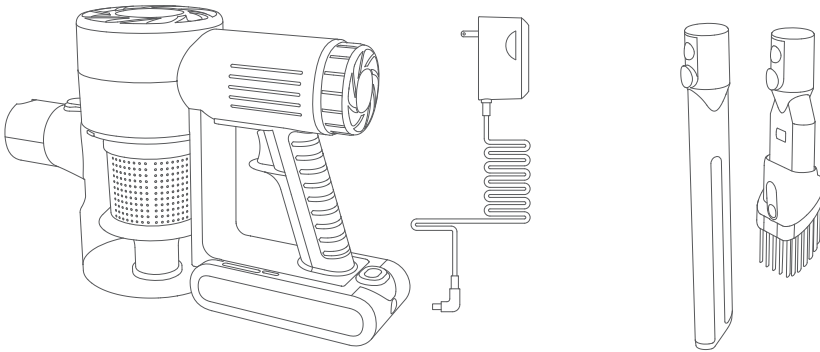




# How to Use the Host

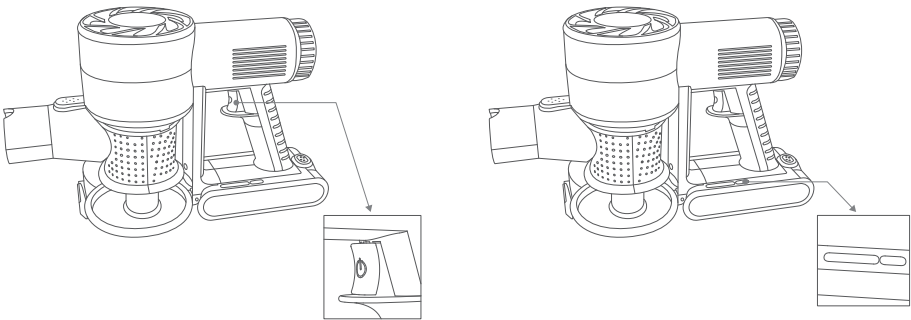
## 1. Preparation

Before use, please make sure the main machine is fully charged. Before using it for the first time, charge it for 5 hours to ensure the normal operation of the machine, and then select the brush head with different functions according to the area to be cleaned.



## 2. Operation

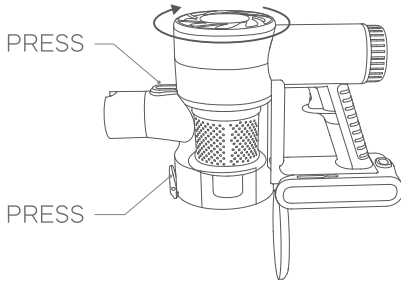
Press the power switch button to start the machine, press the power switch button again to stop the machine. The vacuum cleaner has two modes: Max/Standard. Please press the "+/-" button to adjust the suction power level.



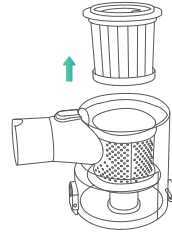
# Daily Maintenance

Mainframe cleaning :

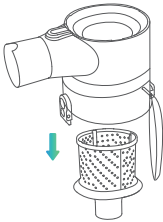
- (1) First turn off the power switch and press the dust cup release button to empty the waste. Turn the dust cup clockwise to separate it from the main unit.



- (2) Remove the filter screen from the top of the dust cup.



- (3) Separate the filter screen from the cartridge.



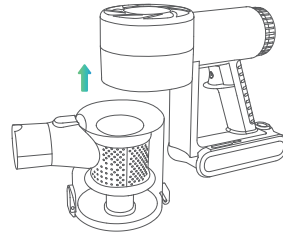
- (4) Clean the filter screen and cartridge.



- (5) Dry the roller brush for 24 hours.

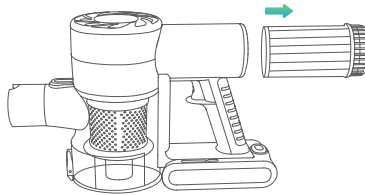


- (6) Wait until completely dry before using.



Air outlet filter cleaning :

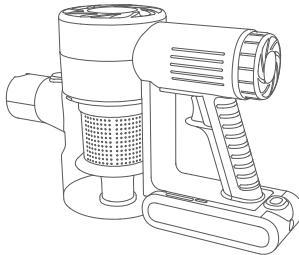
- (1) Turn off the power switch and turn counterclockwise to remove the filter cartridge from the air outlet



- (2) Clean the filter cartridge



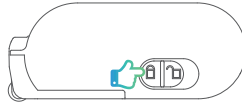
- (3) Wait until completely dry before installing and using



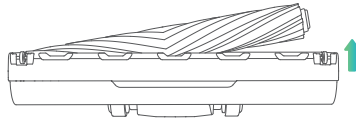
Note: Regular cleaning of the cartridge will maintain good suction power.

# Rolling Brush Cleaning

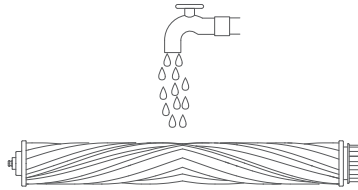
(1) Press the press mark "ⓐ ⓑ" on the floor brush to unlock the roller brush.



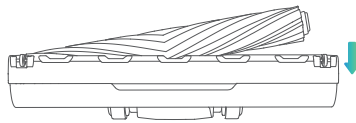
(2) Remove the roller brush, and use the hair tool included in the package to clean up the tangled hairs



(3) Wash with water



(4) Wait until completely dry before installing and using. To install the brush, simply insert the brush into the floor brush to secure the brush.



## Product Parameters

Product Model	GSC45
Rated Voltage	22.2Vdc
Rated Output Power	180W
Rated Input of Adapter	100~240V~50/60Hz; 0.5A
Rated Output of Adapter	22.5V; 0.5A $\approx$ 13.25W
Charging Time	3.5 Hours
Running Time	15~45 Mins
MAX Mode (21Kpa)	15 Minutes
Standard Mode (16Kpa)	45 minutes
Weight	1.5 KG
Noise	<65db
Extension Telescopic Pole	39.37 inch ~ 48.43 inch
Battery Capacity	2200mAh $\times$ 5

## Greenote Team

Email: [vc.support@greenotehome.com](mailto:vc.support@greenotehome.com)

Facebook: [Greenote Home](#)

Insgram: [greenote.global](#)

Website: [www.greenotehome.com](http://www.greenotehome.com)

Youtube: [Greenote Home](#)

## Shenzhen Apeman Innovations Technology Co., Ltd.

1801, Heng Lu E Times Building, No. 159, North Pingji Road,  
Hehua Community, Pinghu Street, Longgang District, Shenzhen,  
Guangdong, China



WSJ Product LTD

Eschborner Landstrasse 42-50, 60489 Frankfurt, Germany



WSJ Product LTD

Unit 1 Alsop Arcade, Brownlow Hill, Liverpool L3 5TX, GB



Made in China