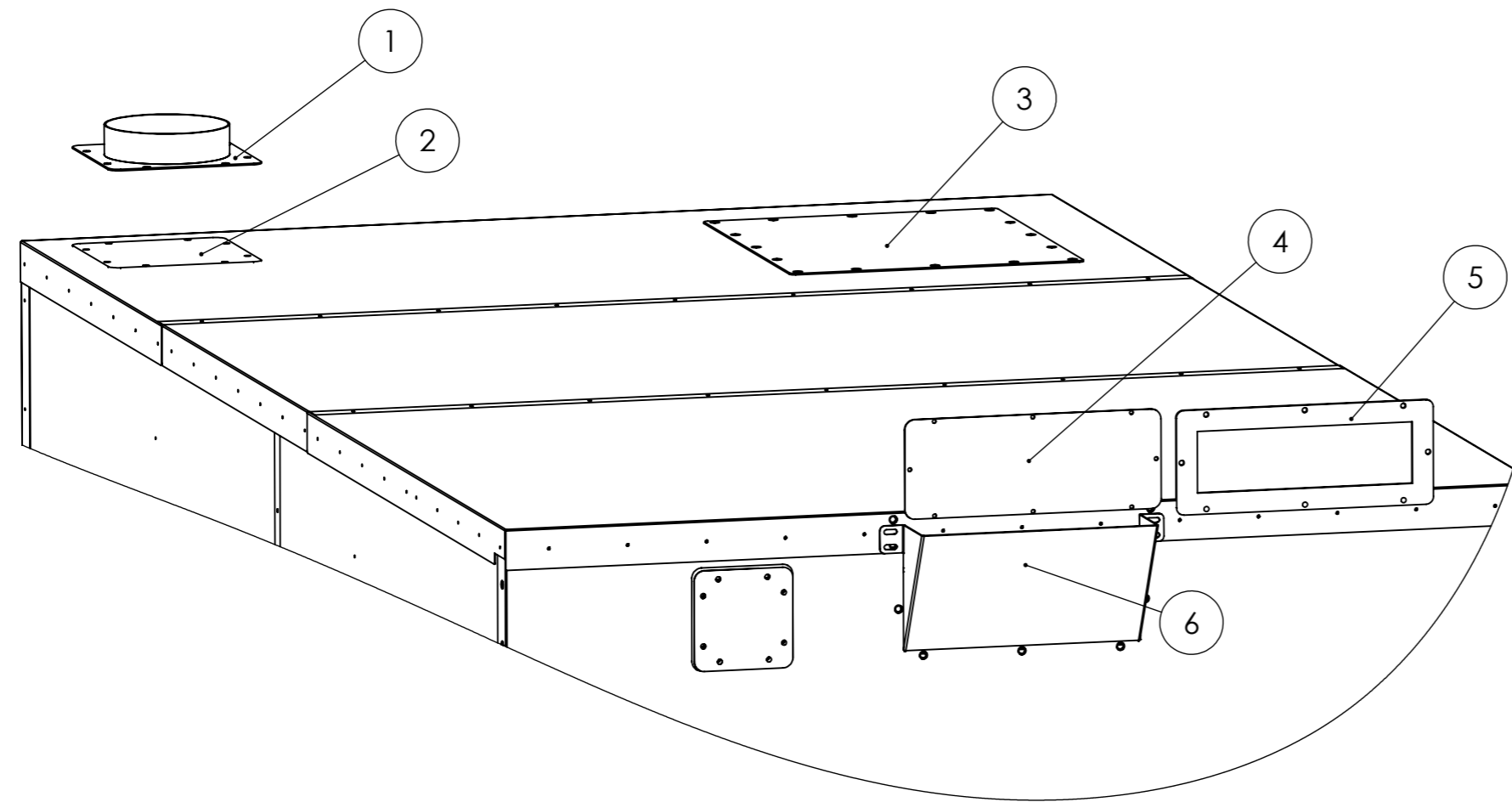


ITEM NO.	PART NO.	DESCRIPTION	QTY.
F 1	296003	REAR FLUE ADAPTOR PLATE (ALTERNATIVE) (USES PART# 090001 HIGH TEMP RTV SILICONE SEALANT TO SEAL TO SMOKER)	1
2	224002	REAR FLUE BLANK OFF PLATE (USES PART# 090001 HIGH TEMP RTV SILICONE SEALANT TO SEAL TO SMOKER)	1
3	225001	SMOKE EXTRACTOR BLANK OFF PLATE (USES PART# 090001 HIGH TEMP RTV SILICONE SEALANT TO SEAL TO SMOKER)	1
E 4	224001	FRONT FLUE BLANK OFF PLATE	1
5	073018	FRONT FLUE BLANK OFF PLATE GASKET	1
6	262017	FRONT FLUE OUTER EXTENSION (ALTERNATIVE) (ALL MODELS)	1

HARDWARE	
FRONT AND REAR FLUE	
PART NO.	DESCRIPTION
726015	10-32 X 1/2 HEX HEAD SS. BOLT
SMOKE EXTRACTOR	
714001	3/8"-16X1 HEX HEAD SS BOLT
733501	3/8" SS SPLIT LOCK WASHER
733502	3/8" SS FLAT WASHER
OR	
712010	1/4"-20X1 HEX HEAD SS BOLT
732502	1/4" SS SPLIT LOCK WASHER
732501	1/4" SS FLAT WASHER



PROPRIETARY AND CONFIDENTIAL
 THE INFORMATION CONTAINED IN THIS DRAWING IS THE SOLE PROPERTY OF SOUTHERN PRIDE DISTRIBUTING, LLC. ANY REPRODUCTION IN PART OR AS A WHOLE WITHOUT THE WRITTEN PERMISSION OF SOUTHERN PRIDE DISTRIBUTING, LLC IS PROHIBITED

Southern Pride Distributing, LLC
 401 S. Mill Street
 Alamo, TN 38001
 Ph: 731-696-3175
 Fax: 731-696-3180

TITLE: VENTING COMPONENTS EXPLODED VIEW	
MODEL:	MLR-150 S/N: R1500050 (Aprox.) to Present (Earlier smokers had smaller flue opening) SPX-300 S/N: X30004 to Present SPK-500 S/N: K500003 to Present SP-700 S/N: K700001 to Present MLR-850 S/N: R8500001 to Present SPK-1000 S/N: SP100001 to Present SPK-1400 S/N: 925 to Present
UNLESS OTHERWISE SPECIFIED: DIMENSIONS ARE IN INCHES TOLERANCES LINEAR: +/- 0.005" ANGULAR: +/- 0.1°	DWG NO. SPExpl-V001
REV 1	SHEET 1 OF 1
SCALE: 1:3	DATE: 5/31/2017
DRAWN BY: DAVE LEWSADER	DO NOT SCALE DRAWING