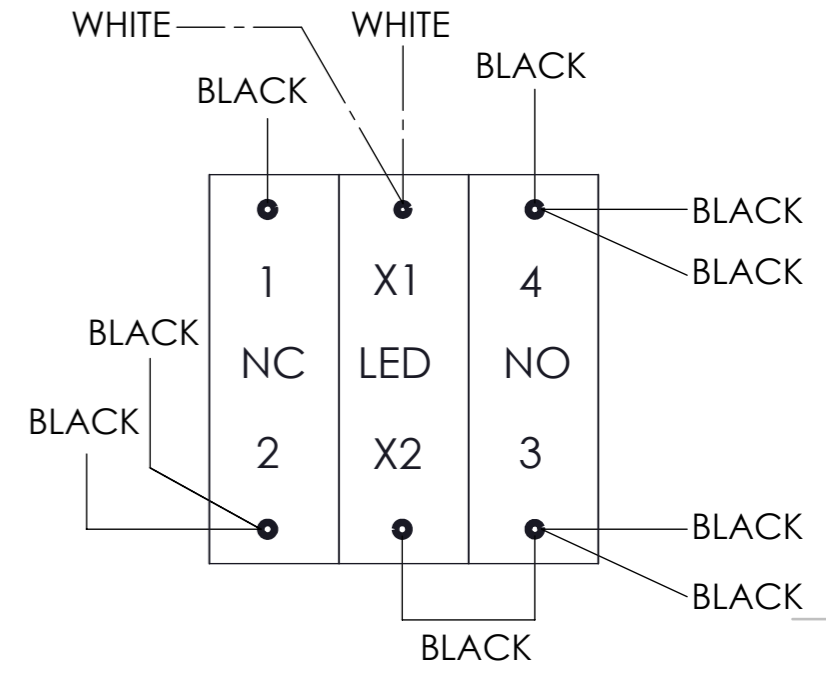
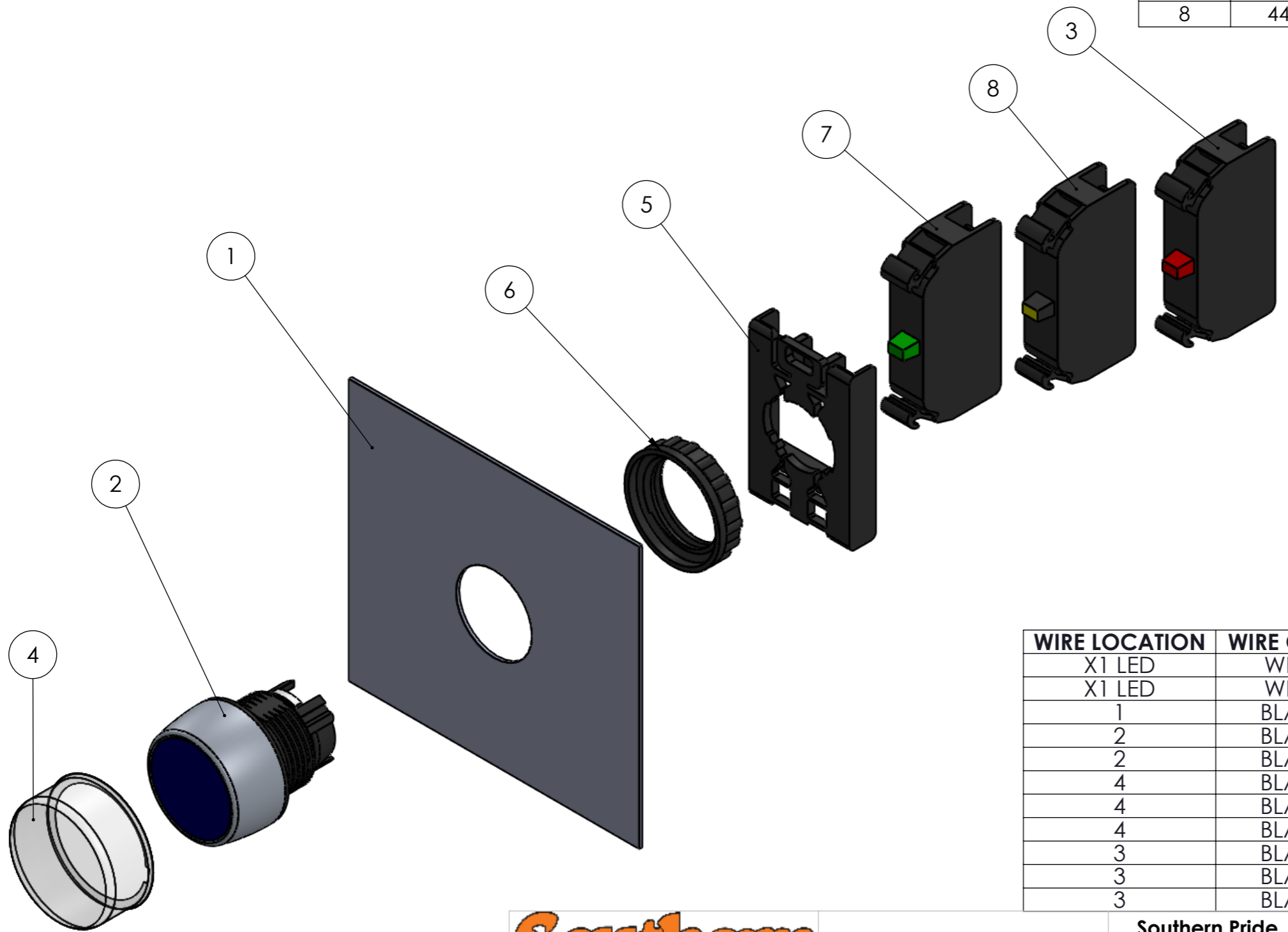


ITEM NO.	PART NUMBER	DESCRIPTION	QTY.
1		CONTROL PANEL	1
2	441041	BLUE ACTUATOR MOMENTARY	1
3	441042	NORMALLY CLOSED CONTACT BLOCK	1
4	441043	RUBBER BOOT	1
5		MODULE DOCKING PLATE (INCLUDED WITH ITEM #2)	1
6		SWITCH NUT (INCLUDED WITH ITEM #2)	1
7	441037	NORMALLY OPEN CONTACT BLOCK	1
8	441038	LED MODULE	1



WIRE LOCATION	WIRE COLOR	DESTINATION/SOURCE
X1 LED	WHITE	X1 MAIN POWER SWITCH
X1 LED	WHITE	L2 TERMINAL BLOCK
1	BLACK	-3 MAIN POWER SWITCH
2	BLACK	X2 MAIN POWER SWITCH
2	BLACK	L1 TEMPERATURE CONTROLLER
4	BLACK	4 ROTISSERIE ADVANCE SWITCH
4	BLACK	#8 TERMINAL BLOCK
4	BLACK	#5 DOOR PROXIMITY INTERLOCK SWITCH
3	BLACK	#4 SMOKE EXTRACTOR
3	BLACK	#7 DOOR PROXIMITY INTERLOCK SWTCH
3	BLACK	X2 LED MODULE



**PROPRIETARY AND CONFIDENTIAL**  
 THE INFORMATION CONTAINED IN THIS DRAWING IS THE SOLE PROPERTY OF SOUTHERN PRIDE DISTRIBUTING, LLC. ANY REPRODUCTION IN PART OR AS A WHOLE WITHOUT THE WRITTEN PERMISSION OF SOUTHERN PRIDE DISTRIBUTING, LLC IS PROHIBITED

**Southern Pride Distributing, LLC**  
 401 S. Mill Street  
 Alamo, TN 38001  
 Ph: 731-696-3175  
 Fax: 731-696-3180

TITLE: #441040 SMOKE EXTRACTOR SWITCH EXPLODED VIEW  
 MODEL: GAS ROTISSERIE SMOKERS WITH STANDARD CONTROL PRIOR TO 2009  
 UNLESS OTHERWISE SPECIFIED: DIMENSIONS ARE IN INCHES  
 TOLERANCES LINEAR: +/- 0.005" ANGULAR: +/- 0.1°  
 DWG NO. SPEXP1-E205  
 SCALE: 1:3  
 DRAWN BY: DAVE LEWSADER  
 DATE: 7/19/2018  
 SHEET 1 OF 1