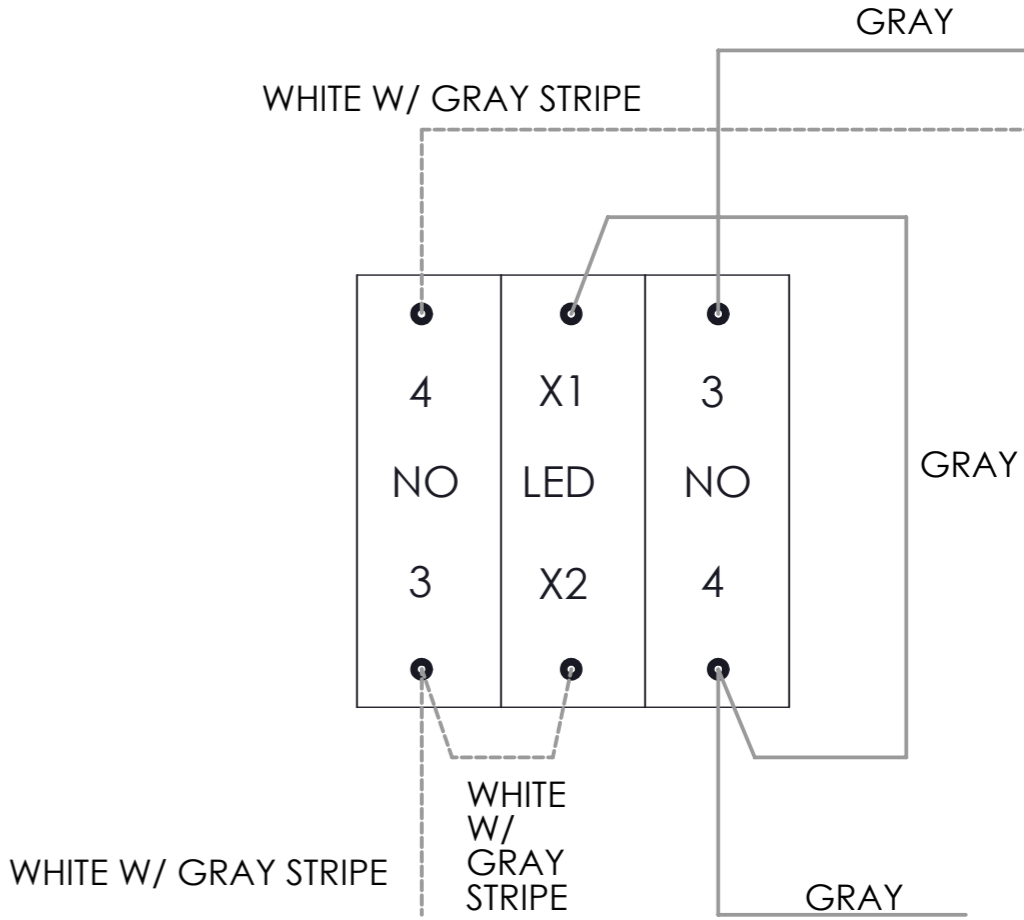


ITEM NO.	PART NUMBER	DESCRIPTION	QTY.
1		CONTROL PANEL	1
2	441037	NORMALLY OPEN CONTACT BLOCK	2
3	441038	LED MODULE	1
4	441046	INTERIOR LIGHT SWITCH ACTUATOR	1
5		MODULE DOCKING PLATE (INCLUDED WITH ITEM #4)	1
6		SWITCH NUT (INCLUDED WITH ITEM #4)	1



WIRE LOCATION	WIRE COLOR	DESTINATION/SOURCE
4	WHITE W/ GRAY STRIPE	X1 MAIN POWER SWITCH
3	WHITE W/ GRAY STRIPE	INTERIOR LIGHT
3	WHITE W/ GRAY STRIPE	X2 LIGHT SWITCH
X1	GRAY	4 LIGHT SWITCH
3	GRAY	-3 ROTISSERIE ADVANCE SWITCH
4	GRAY	INTERIOR LIGHT
4	GRAY	X1 LIGHT SWITCH



**PROPRIETARY AND CONFIDENTIAL**  
 THE INFORMATION CONTAINED IN THIS DRAWING IS THE SOLE PROPERTY OF SOUTHERN PRIDE DISTRIBUTING, LLC. ANY REPRODUCTION IN PART OR AS A WHOLE WITHOUT THE WRITTEN PERMISSION OF SOUTHERN PRIDE DISTRIBUTING, LLC IS PROHIBITED

**Southern Pride Distributing, LLC**  
 401 S. Mill Street  
 Alamo, TN 38001  
 Ph: 731-696-3175  
 Fax: 731-696-3180

TITLE:  
 #441047 INTERIOR LIGHT SWITCH EXPLODED VIEW

MODEL:  
 GAS ROTISSERIE SMOKERS WITH GLASS DOORS

UNLESS OTHERWISE SPECIFIED: DIMENSIONS ARE IN INCHES  
 TOLERANCES  
 LINEAR: +/- 0.005"  
 ANGULAR: +/- 0.1°

SIZE A3  
 DWG NO. SPEXpl-E204  
 REV

MATERIAL:  
 FINISH:  
 DO NOT SCALE DRAWING  
 SCALE: 1:3  
 DRAWN BY: DAVE LEWSADER  
 DATE: 7/19/2018  
 SHEET 1 OF 1