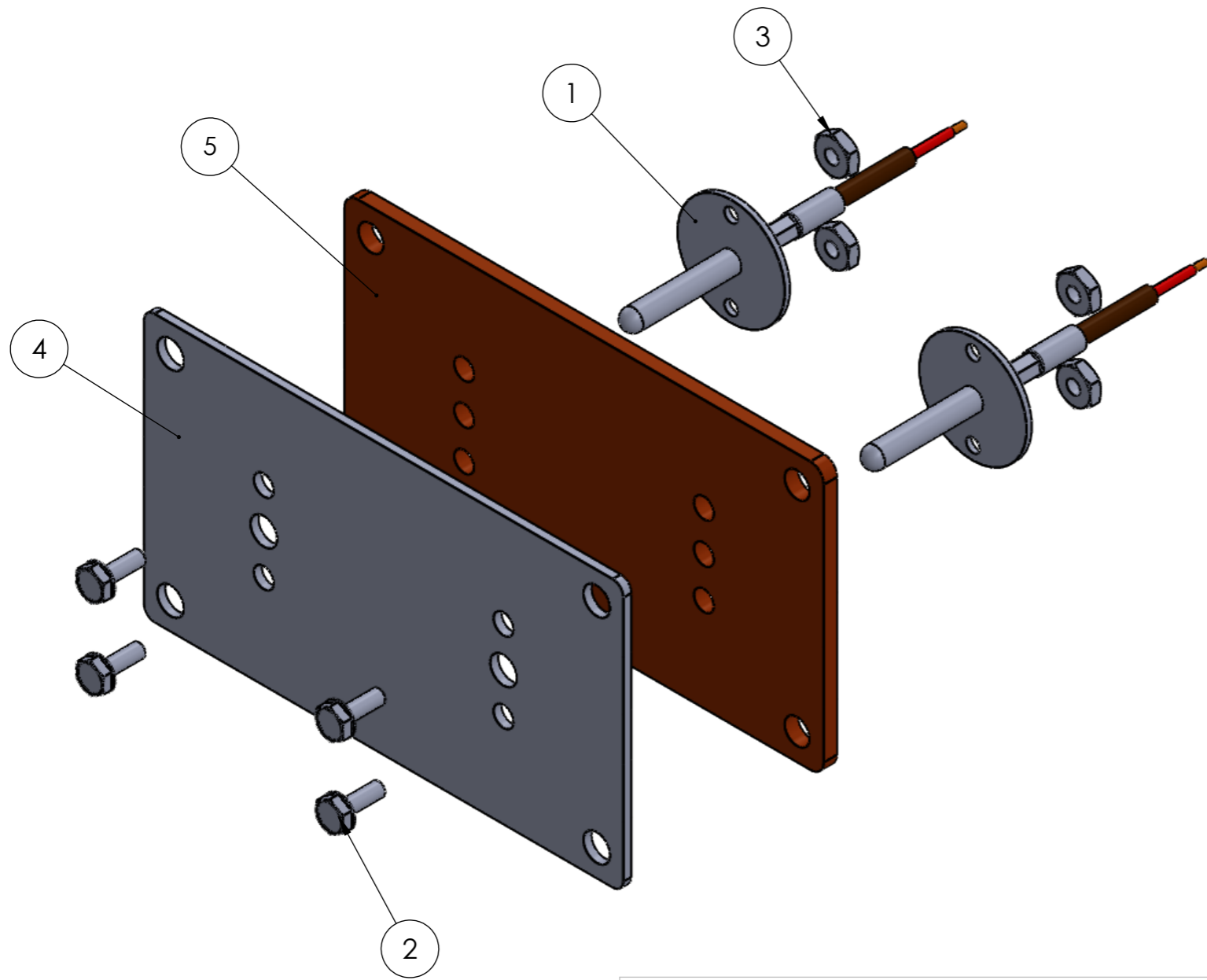


8 7 6 5 4 3 2 1

ITEM NO.	PART NUMBER	DESCRIPTION	QTY.
1	435001	1" THERMOCOUPLE "K" TYPE	2
2	724501	6-32 X 3/8" HWH MS SS	4
3	740501	6-32 SS HEX NUT	4
4	425508	DOUBLE T/C MOUNTING PLATE	1
5	073043	DOUBLE THERMOCOUPLE GASKET	1



**WIRING**

**HI-LIMIT THERMOCOUPLE**

RED ● POSITION 3 OF HIGH LIMIT

YELLOW ● POSITION 4 OF HIGH LIMIT

**THERMOCOUPLE**

RED ● POSITION 2 OF THERMOCOUPLE CONNECTOR ON CONTROL

YELLOW ● POSITION 1 OF THERMOCOUPLE CONNECTOR ON CONTROL

230v MODELS: MLR-150 S/N: R1500173 TO PRESENT  
 SPX-300 S/N: X3000839 TO PRESENT  
 SPK-500 S/N: K5001207 TO PRESENT  
 SP-700 S/N: P7000176 TO PRESENT  
 MLR-850 S/N: R8500067 TO PRESENT  
 SPK-1000 S/N: K1000329 TO PRESENT  
 SPK-1400 S/N: K14A0001 TO PRESENT



**PROPRIETARY AND CONFIDENTIAL**  
 THE INFORMATION CONTAINED IN THIS DRAWING IS THE SOLE PROPERTY OF SOUTHERN PRIDE DISTRIBUTING, LLC. ANY REPRODUCTION IN PART OR AS A WHOLE WITHOUT THE WRITTEN PERMISSION OF SOUTHERN PRIDE DISTRIBUTING, LLC IS PROHIBITED

**Southern Pride Distributing, LLC**  
 401 S. Mill Street  
 Alamo, TN 38001  
 Ph: 731-696-3175  
 Fax: 731-696-3180

TITLE:  
**#493014 HI-LIMIT THERMOCOUPLE ASSEMBLY**

UNLESS OTHERWISE SPECIFIED: DIMENSIONS ARE IN INCHES  
 TOLERANCES  
 LINEAR: +/- 0.005"  
 ANGULAR: +/- 0.1°

SIZE A3 DWG NO. **SPEXpl-E201** REV **2**

MATERIAL: FINISH: DO NOT SCALE DRAWING SCALE: 1:2 DRAWN BY: DAVE LEWSADER DATE: 12/21/2020 SHEET 1 OF 1

8 7 6 5 4 3 2 1