



SERVICE BULLETIN

SP2016-003
Revision 0
March 28, 2016

Before performing any service always follow applicable safety precautions.

Product Door Gasket Lengths

Affected Products: Obsolete models (as of March 2016) with gaskets on the product door(s).
Affected Serial Range: N/A
Related Issue #: N/A

Issue Description:

The appropriate product door gasket lengths for cutting bulk gasket (part number 070001) to size. These gaskets attach to the back of the product door(s).

Actions Required:

Each side of the product door gasket is cut as a separate piece. At each corner where two gaskets meet the gasket is cut at a 45° angle.

See the following pages for the gasket diagrams.

Additional Comments:

The customer may need to trim the gasket to achieve their desired fit.

Secondary Distribution:

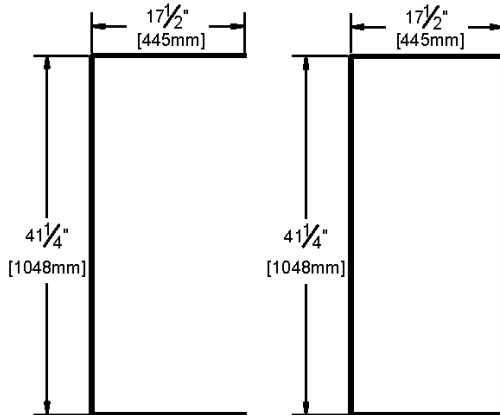
Service technicians within the Distributor's organization.
Service companies.

For Additional Information:

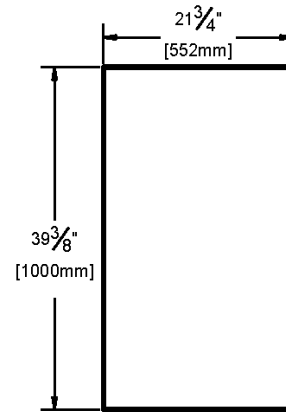
Southern Pride Technical Service: (800) 437-2679

Actions Required (continued):

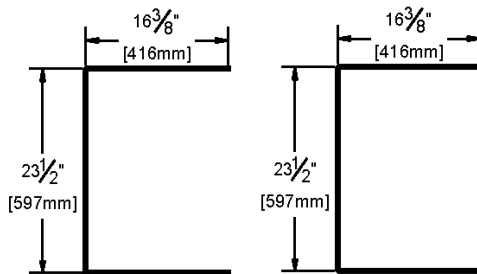
SC-600
070004



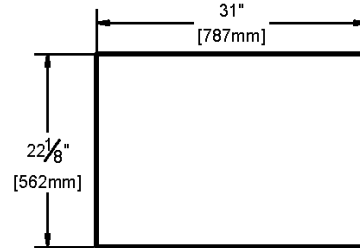
SC-200 & DH-65
070023



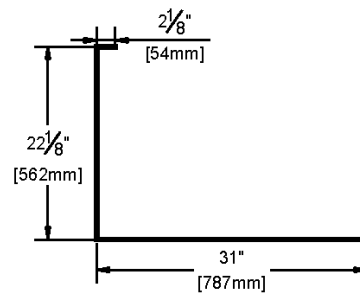
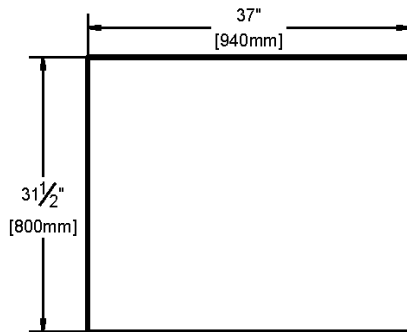
BBR 79-1
070015



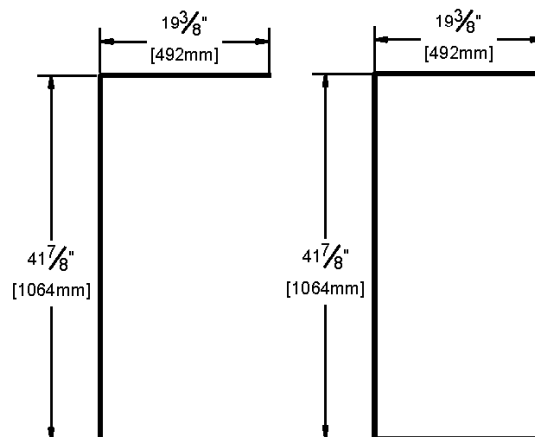
BMJ-2001
070029



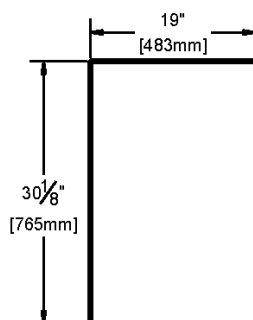
BBR 79-3
070019



BMJ-3501
070032

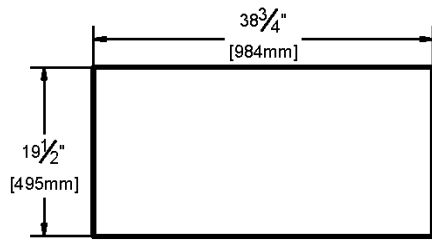


SC-100
070022

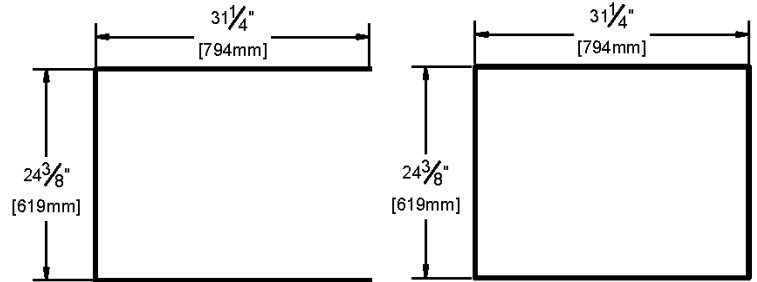


Actions Required (continued):

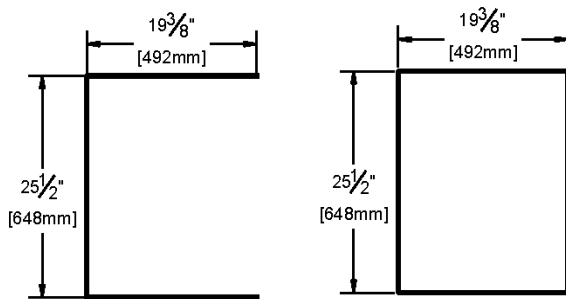
XLR-350 (Single Door)
070035



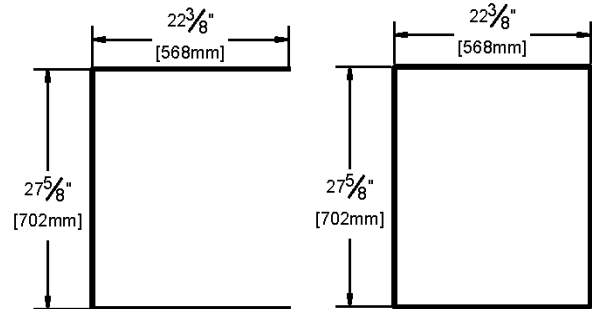
BBR 700 (Double Door)
070042



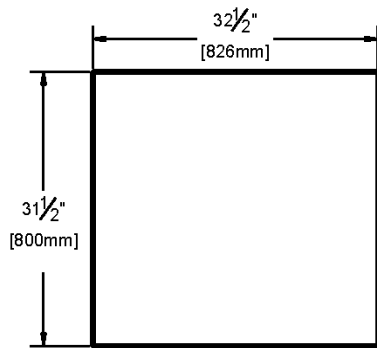
XLR-350 (Double Door)
070036



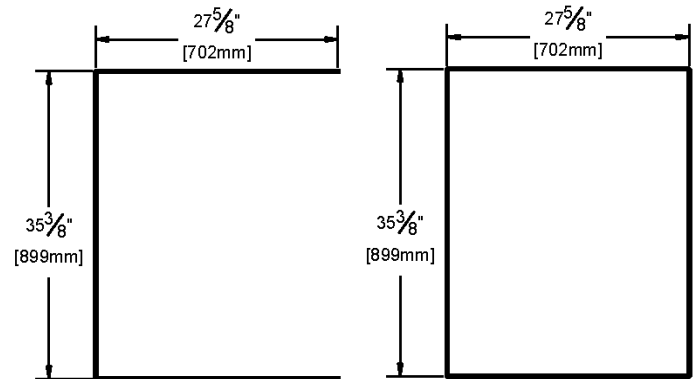
XLR-1400
070046



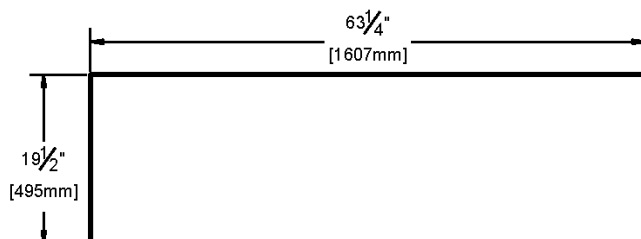
BBR 79-2
070039



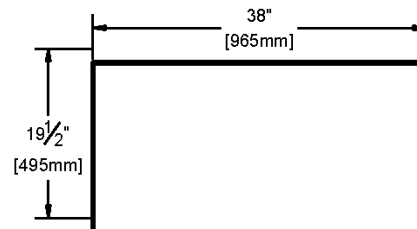
XLR-1600-4
070050



BBR 700 (Single Door)
070041

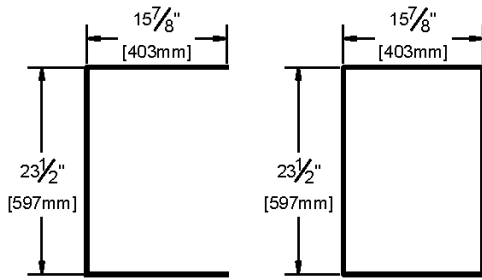


SPK-280 (Single Door)
070054

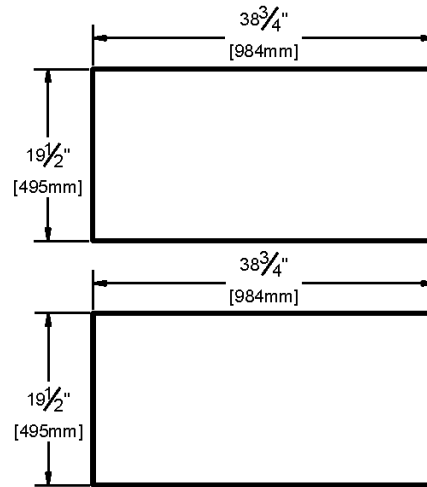


Actions Required (continued):

SPK-280 (Double Door)
070058



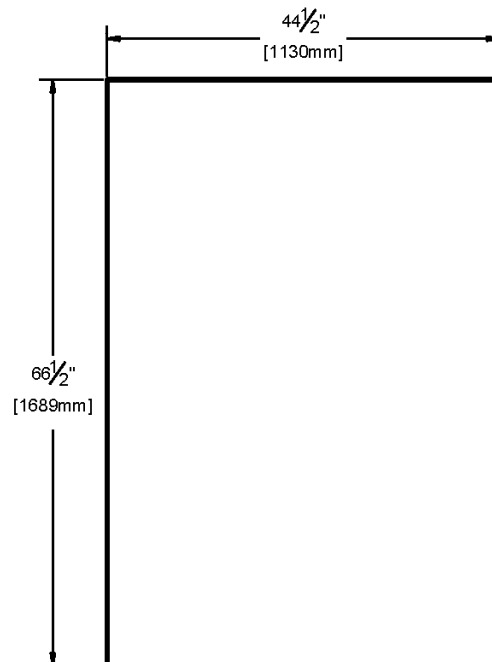
BMJ-1000
070071



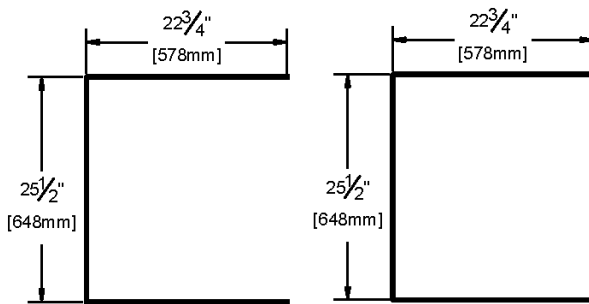
SPK-500 (Single Door)
070062



UXR-100
070075



SPK-500 (Double Door)
070063



SPK-700
070067

