



# Model: DH-65 (208/240v models)

## Electric Woodchip-Burning Stationary Rack Smoker

### Approximate Smoker Capacities

(Capacities will vary based on physical shape, weight, and method of loading for each product specified.)

St. Louis Ribs (2.75 lbs)(1.2 kg) each.....65 pieces



(5) rack slides, 5" (127mm) spacing



### Standard Features:

- Stainless steel construction; exterior and interior.
- Mineral wool insulated cabinet.
- (2) locking casters (front) and (2) non-locking casters (rear).
- 2" (51mm) flue with variable sized drop-in flue damper.
- Convection fan with 8" (203mm) blower wheel.
- Control with a digital thermostat ((80° to 325°F)(27° to 163°C), allows for selection of cook temperature, cook time, and programming of 30 preset menus).
- 6" (152mm) grease drain pan.
- (5) nickel chrome plated vertical rib racks (see illustration above).
- Single woodchip box.
- 2 1/2" (64mm) steam pan.

### Optional Features:

- Right hand door hinge.
- Stainless steel vertical rib racks.



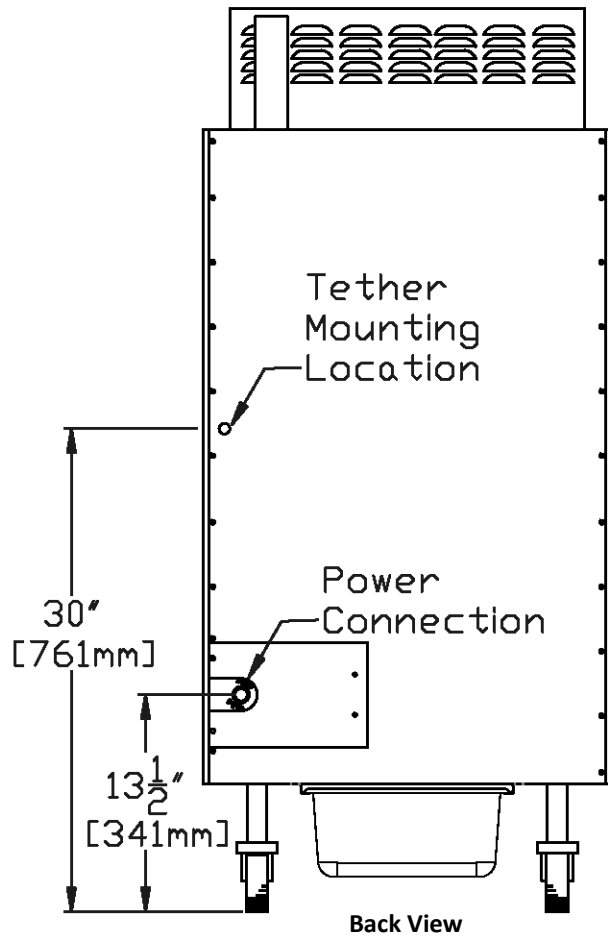
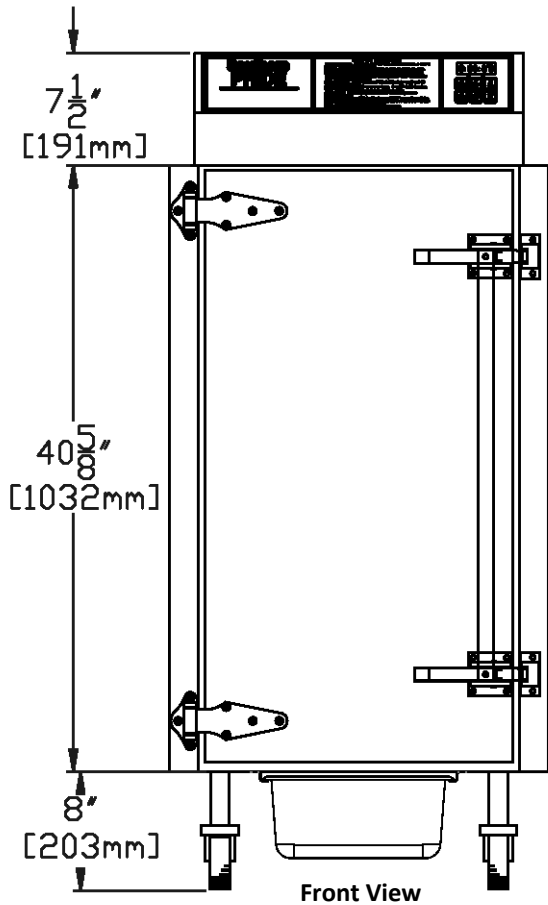
Southern Pride Distributing, LLC  
401 S Mill St  
Alamo, TN 38001  
Phone: 731.696.3175  
Fax: 731.696.3180  
www.southernpride.com

REVISED: September 2016  
An ongoing program of product improvement may require us to change specifications without notice.

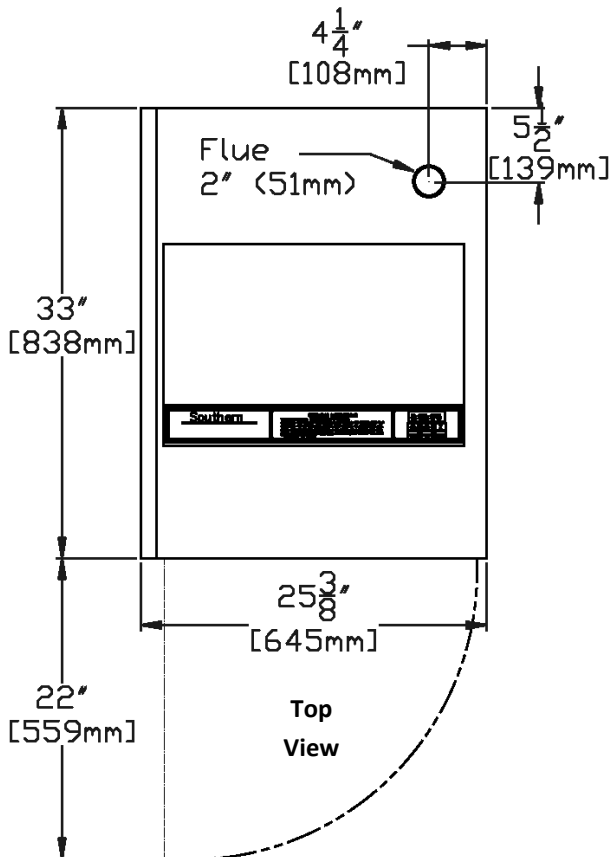
© 2016 Southern Pride Distributing, LLC

# Model: DH-65 (208/240v models)

## Electric Woodchip-Burning Stationary Rack Smoker



Standard leg locations (center to center) -  
19 5/8"W x 25 3/8"D (498 x 645mm)



### REQUIREMENTS

#### ELECTRICAL

120/208 volt AC or 120/240 volt AC

60 hertz, 3 wire (plus ground), 1-phase, 30 amp wiring required

Electrical cord and NEMA 14-30P plug not provided

#### VENTILATION

The smoker must be vented in accordance with the Owner's Manual and the installation must comply with NFPA® 96 and all relevant local and national codes and in a manner acceptable to the authority having jurisdiction.

SHIPPING (crated) - 410 lbs (186 kg), Class 100

65"H x 50"W x 28"D (1651 x 1270 x 711mm)