

LOCKT

Quick Shim

For assistance or warranty information:
Call 888-725-7446 or visit
lockt.com

Made in China

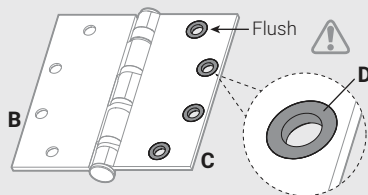
© 2020 Lockt LLC.; Lockt™ and QuickShim™ are trademarks of Lockt LLC or one of its affiliates, are pending official registration approval from the United States Patent and Trademark Office (USPTO), and are used under license.

LOCKT

Quick Shim

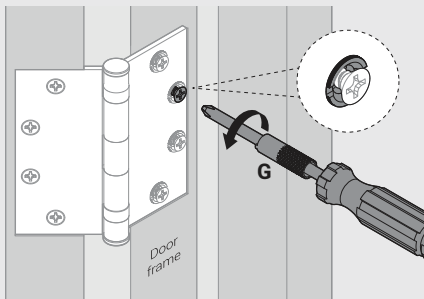
Shim Instructions

- 1 Verify that all 4 quick-adjust collars 'D' are FLUSH with mounting side of hinge leaf.



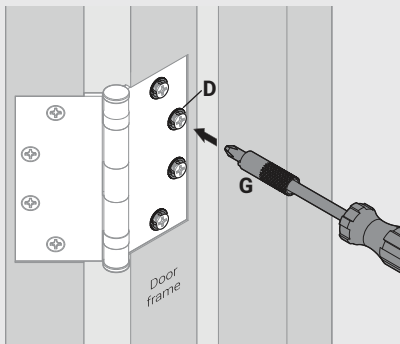
TO SHIM THE DOOR FOLLOW THE NEXT STEPS:

- 2 Determine which hinge needs adjustment to allow the door to hang properly in the door frame. Insert screwdriver through adjustment tool 'G'. Loosen but do not remove the screws from the hinge. For best results, only back screws out 2 turns.



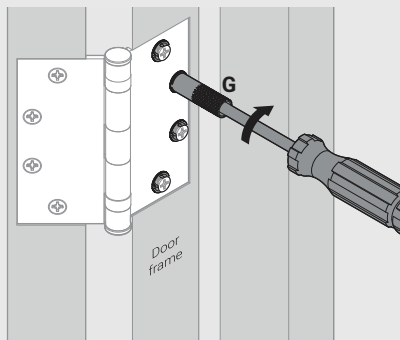
3

Slide the adjustment tool 'G' down to position to rotate quick-adjust collar 'D'. Rotate clockwise to extend and push the hinge away from the door frame.



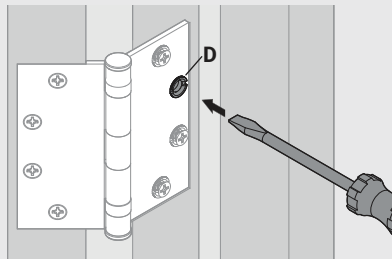
4

Once adjustment is made, hold tool 'G' in place to secure the position of quick-adjust collar and use a screwdriver to tighten screw.



5

A wide-flat blade screwdriver or coin can also be used to make adjustments. Remove one screw and rotate quick-adjust collar.



Do not overextend the quick-adjust collar. The front face of the collar should not pass through the front face of the hinge.

