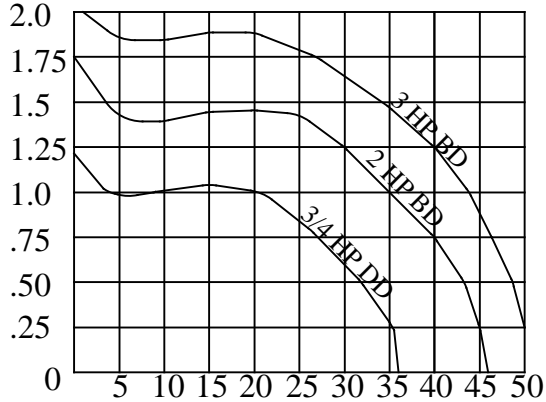
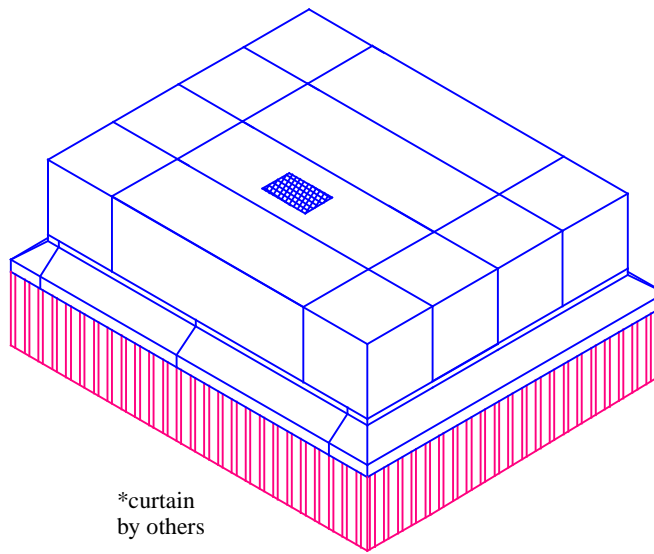


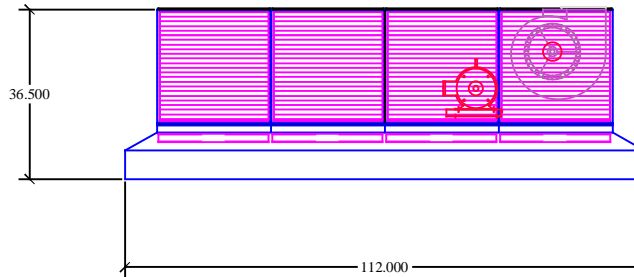
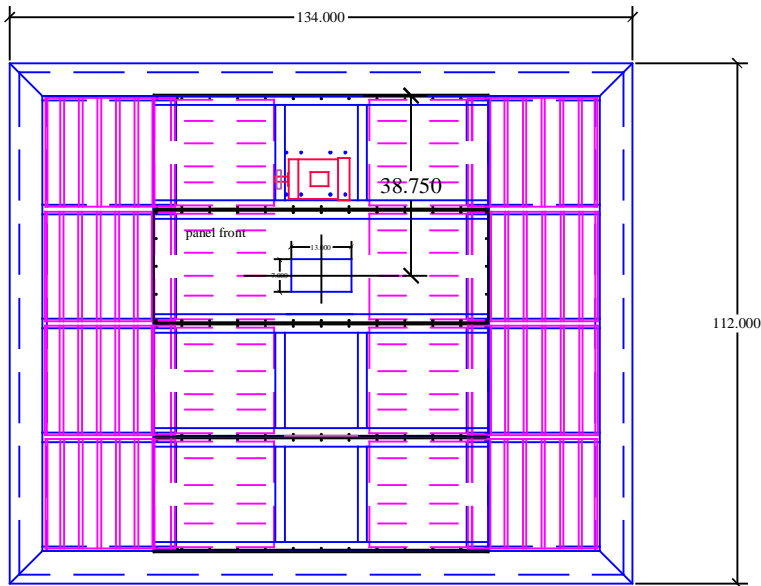
STATIC PRESSURE, W.G.



CFM X's 100



*curtain by others



SHEET TITLE : **AZTech RH35-4**
 DRWG. NO.: **RH341-0518** DRAWN BY: **TAA**
 DATE: **10/16/08** SCALE: **NTS**

SPECIFICATIONS:

- DIMENSIONS: 36.5"H X 112" W X 134" D
- MOTOR: 2 HP 208-230/460/3/60 TEFC 6.0-5.8/2.9 FLA
3 HP 230/460/3/60 TEFC 8.6/4.3 FLA
- CFM: 2 HP - 3500 CFM @ 1.0" W.G.
3 HP - 4450 CFM @ 1.0" W.G.
- CONSTRUCTION: 11,14, & 16 GA POWDER COATED ST. FRAME.
16 GA. STEEL PANELS
4-WAY ALUMINUM EXHAUST GRILLE
18 GA HOOD SKIRT
DUST PROOF LED LIGHT KIT
- ELECTRICAL: WIRED TO JCT. BOX
OPT. MOTOR STARTER AVAILABLE
- BLOWER: 10 X 10 FORWARD CURVED BLOWER
3/4 HP - DIRECT DRIVE
2 & 3 HP - BELT DRIVE
- FILTERS: 2" GALV. BAFFLE PREFILTER
OPT. 2" ALUMINUM MESH
4" PLEATED PREFILTER
95% FIBERGLASS BAG FILTER
- OPTIONS: HEPA AFTER FILTER
SILENCER
MAGNAHELIC PRESSURE GAUGE
CURTAIN ENCLOSURE
FILTER ACCESS DOORS, EA. END
THERMAL SENSOR/ POWER CUT OFF
- WEIGHT: RH35-4 1607 lbs.
- NOISE: 2 HP - 71.5 dBA
3 HP - 72.0 dBA



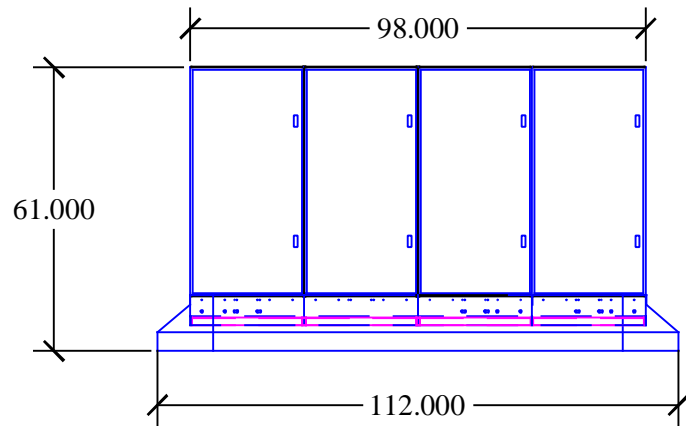
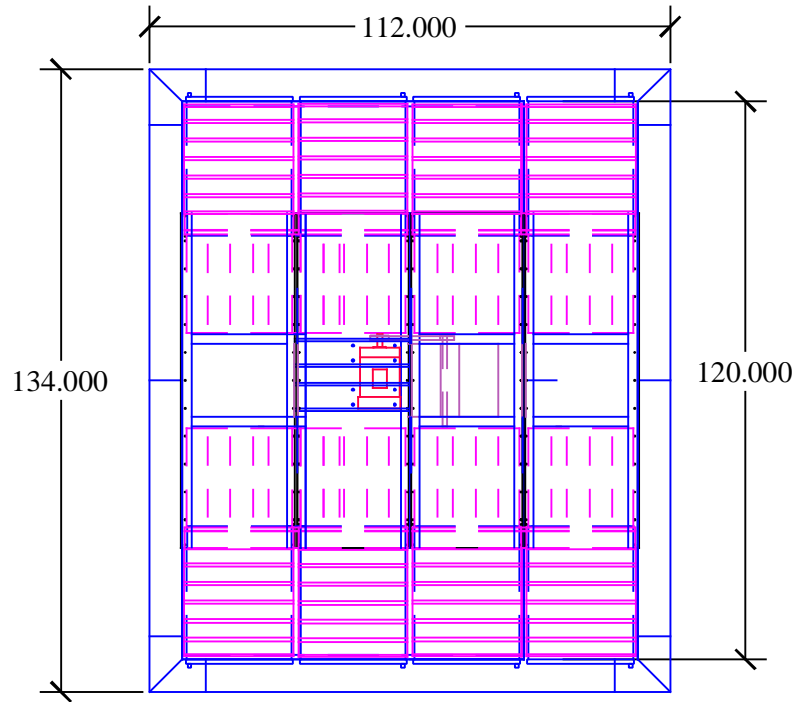
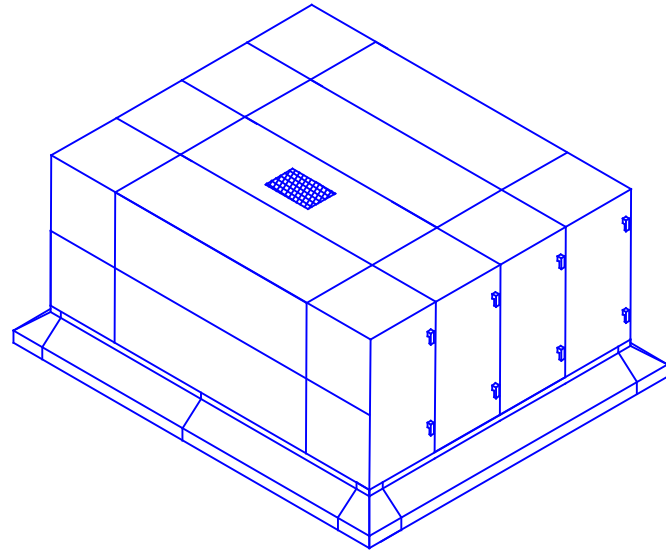
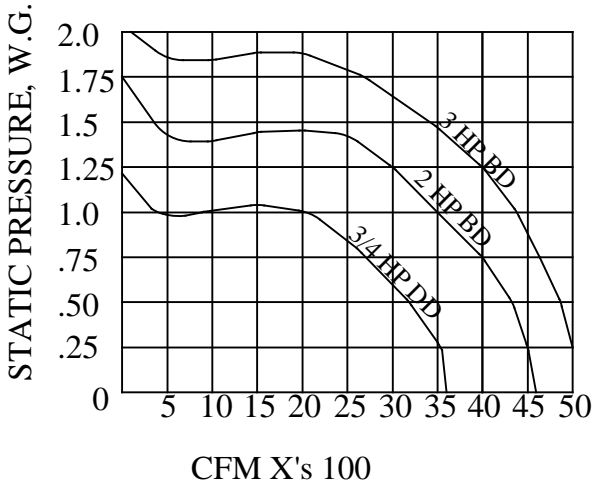
INDUSTRIAL MAID

MFG. BY:

INDUSTRIAL MAID LLC
 351 S. 12TH RD.
 CORTLAND, NE 68331
 Ph. (402) 798-7116
 Fax (402) 798-7117
 www.industrial-maid.com

distributed by:

COPYRIGHT: This document and the information contained may not be reproduced or distributed without express written consent of INDUSTRIAL MAID. Unauthorized reproduction, disclosure, or manufacturing use are prohibited by copyright law.



SPECIFICATIONS:

- DIMENSIONS: 61" H X 112" W X 134" D
- MOTOR: 2 HP 208-230/460/3/60 TEFC
6.0-5.8/2.9 FLA
3 HP 230/460/3/60 TEFC
8.6/4.3 FLA
- CFM: 2 HP - 3500 CFM @ 1.0" W.G.
3 HP - 4450 CFM @ 1.0" W.G.
- CONSTRUCTION: 11,14, & 16 GA POWDER COATED ST. FRAME.
16 GA. STEEL PANELS
4-WAY ALUMINUM EXHAUST GRILLE
18 GA HOOD SKIRT
DUST PROOF LED LIGHT KIT
- ELECTRICAL: WIRED TO JCT. BOX
OPT. MOTOR STARTER AVAILABLE
- BLOWER: 10 X 10 FORWARD CURVED BLOWER
3/4 HP - DIRECT DRIVE
2 & 3 HP - BELT DRIVE
- FILTERS: 2" GALV. BAFFLE PREFILTER
OPT. 2" ALUMINUM MESH
4" PLEATED PREFILTER
95% FIBERGLASS BAG FILTER
- OPTIONS: HEPA AFTER FILTER
SILENCER
MAGNAHELIC PRESSURE GAUGE
CURTAIN ENCLOSURE
FILTER ACCESS DOORS, EA. END
THERMAL SENSOR/ POWER CUT OFF
- WEIGHT: 2691 LBS.
- NOISE: 2 HP - 71.5 dBA
3 HP - 72.0 dBA



INDUSTRIAL MAID

MFG. BY:
INDUSTRIAL MAID LLC
 351 S. 12TH RD.
 CORTLAND, NE 68331
 Ph. (402) 798-7116
 Fax (402) 798-7117
www.industrial-maid.com

distributed by:

COPYRIGHT: This document and the information contained may not be reproduced or distributed without express written consent of INDUSTRIAL MAID. Unauthorized reproduction, disclosure, or manufacturing use are prohibited by copyright law.