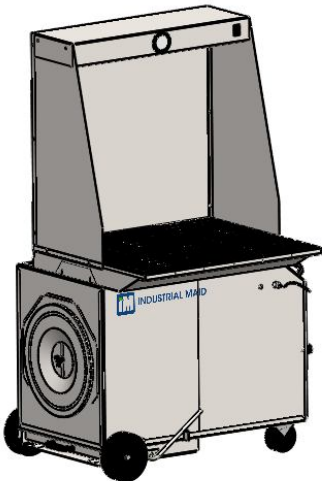
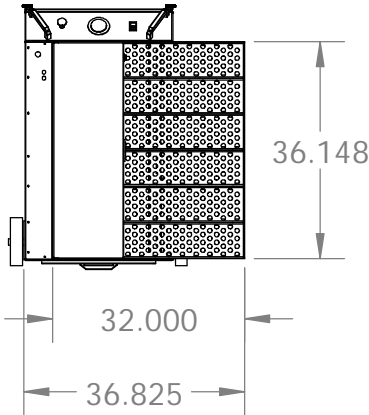
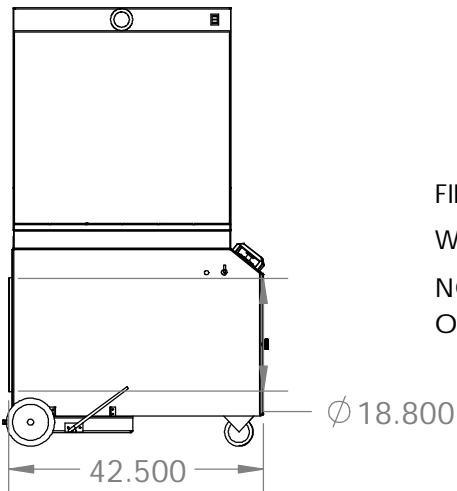
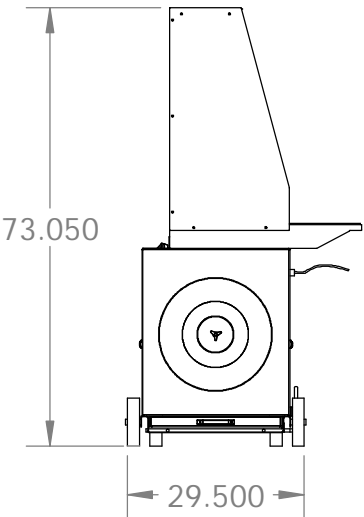


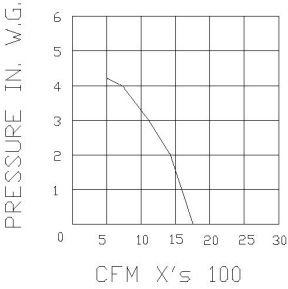
**SPECIFICATIONS:**



**DIMENSIONS:** 43.5" W X 36.5"D X 73" H  
**MOTOR:** 1.0 HP TEFC  
 115/208-230/1/60  
 11./-5.7-5.6 FLA  
**ELECTRICAL:** ON/OFF SWITCH &  
 25 FT CORD  
**CFM:** 800 CFM @ 3.5" W.G  
**BLOWER:** DIRECT DRIVE BI  
**CONSTRUCTION:** 12, 14 & 16 GA STEEL, WHITE  
 PEBBLE POWDERCOAT  
 5" SWIVEL/LOCK CASTERS  
 8" EASY ROLL REAR WHEELS  
 DUST DRAWER W/ CAM  
 RELEASE LEVER  
 TOOL-LESS FILTER SERVICE  
 36" W X 32"D DOWNDRAFT  
 TABLE, 12 GA REMOVABLE  
 SLATS



**FILTER:** 200 SF FR CARTRIDGE  
**WEIGHT:** 414 LBS. STD  
**NOISE:** 72 DBA  
**OPTIONS:** CARBON AFTER FILTER  
 HEPA AFTERFILTER  
 CUSTOM TABLE SIZES  
 INTERNAL/PUSH BUTTON  
 CLEANING  
 FILTER SERVICE GAUGE  
 NANO FIBER CARTRIDGE  
 TABLE ENCLOSURE  
 LIGHT KITS

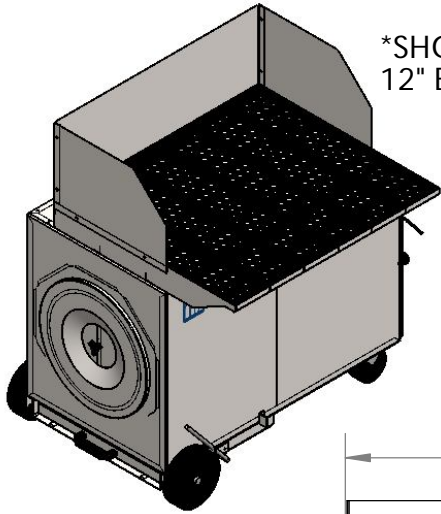


	NAME	DATE	AZTech PFC8-DD32-36E	
DRAWN	TAA	5/5/18		
CHECKED	JZ	5/5/18	TITLE:	
INDUSTRIAL MAID 315 S.12 RD. CORTLAND, NE 68331 (877) 624-3247			PORTABLE DD BENCH W / 36" ENCLOSURE	
SIZE	DWG. NO.	REV		
A	PFC8-DD32-36E			
SCALE: 1:32	WEIGHT: 421.07	SHEET 1 OF 1		

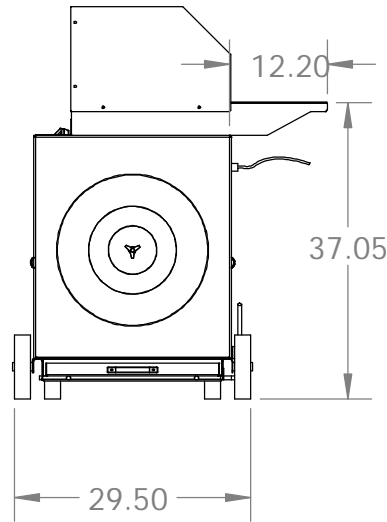
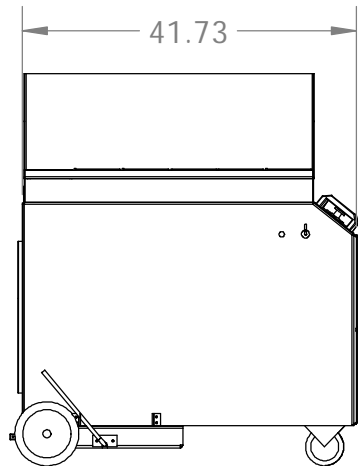
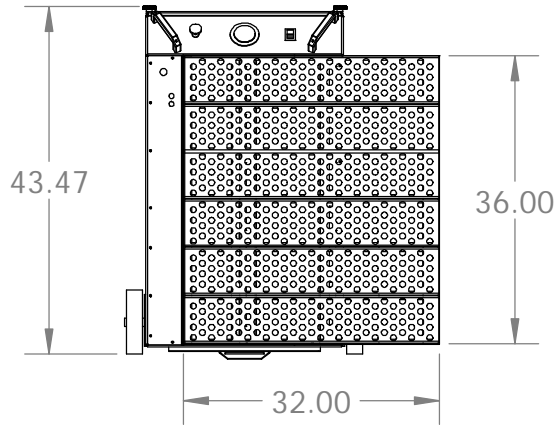
**PROPRIETARY AND CONFIDENTIAL**  
 THE INFORMATION CONTAINED IN THIS  
 DRAWING IS THE SOLE PROPERTY OF  
 INDUSTRIAL MAID LLC ANY  
 REPRODUCTION IN PART OR AS A WHOLE  
 WITHOUT THE WRITTEN PERMISSION OF  
 INDUSTRIAL MAID LLC IS  
 PROHIBITED.



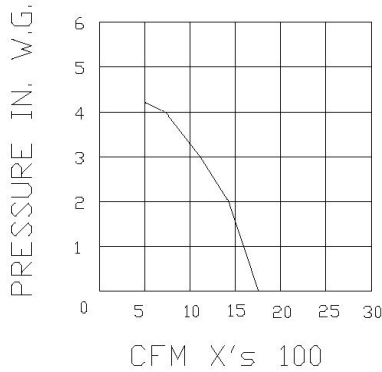
**SPECIFICATIONS:**



\*SHOWN WITH OPT. 12" BACK FENCE



- DIMENSIONS:** 43.5" W X 42"D X 37" H
- MOTOR:** 1.0 HP TEFC  
115/208-230/1/60  
11.2/5.7-5.6 FLA
- ELECTRICAL:** ON/OFF SWITCH &  
25 FT CORD
- CFM:** 800 CFM @ 3.5" W.G
- BLOWER:** DIRECT DRIVE BI
- CONSTRUCTION:** 12 & 14 GA STEEL  
GREY POWDERCOAT  
5" SWIVEL/LOCK CASTERS  
8" EASY ROLL REAR WHEELS  
DUST DRAWER W/ CAM  
RELEASE LEVER  
TOOL-LESS FILTER SERVICE  
36"W x 32" D DOWNDRAFT  
TABLE, 37" HIGH, 12" TOE SP.
- FILTER:** 200 SF, FR CELL/POLY, 99.5%  
\* OPT. FR NANO-FIBER
- WEIGHT:** 382 LBS. STD
- NOISE:** 76 DBA
- OPTIONS:** CARBON AFTER FILTER  
HEPA AFTERFILTER  
3 PHASE MODELS  
INTERNAL/PUSH BUTTON  
CLEANING  
FILTER SERVICE GAUGE  
12" SIDE AND BACK SHIELDS  
36" HIGH ENCLOSURE  
LIGHT KITS



**PROPRIETARY AND CONFIDENTIAL**

THE INFORMATION CONTAINED IN THIS DRAWING IS THE SOLE PROPERTY OF INDUSTRIAL MAID LLC. ANY REPRODUCTION IN PART OR AS A WHOLE WITHOUT THE WRITTEN PERMISSION OF INDUSTRIAL MAID LLC IS PROHIBITED.



**INDUSTRIAL MAID**

	NAME	DATE	<b>AZTech PFC08-DD32</b>	
DRAWN	TAA	5/15/18		
CHECKED	JZ	5/15/18		
INDUSTRIAL MAID 315 S.12 RD. CORTLAND, NE 68331 (877) 624-3247			TITLE: <b>800 CFM PORTABLE DOWNDRAFT TABLE</b>	
SIZE	DWG. NO.	REV		
<b>A</b>	PFC08-DD32			
SCALE: 1:24	WEIGHT: 382.08	SHEET 1 OF 6		