

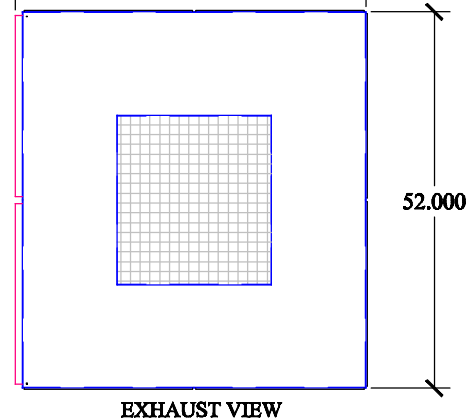
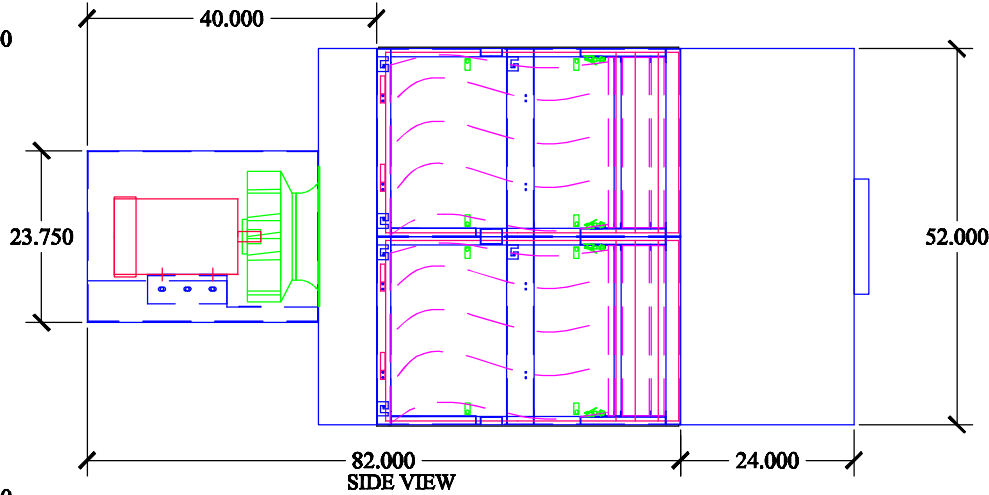
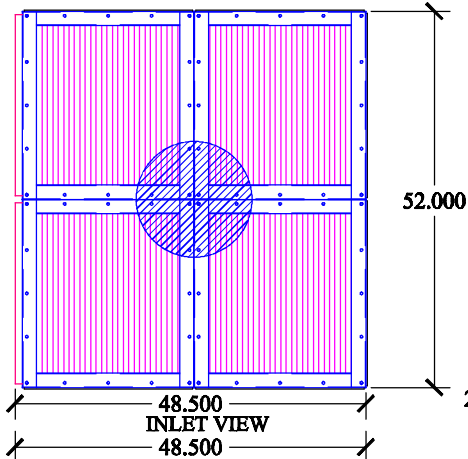
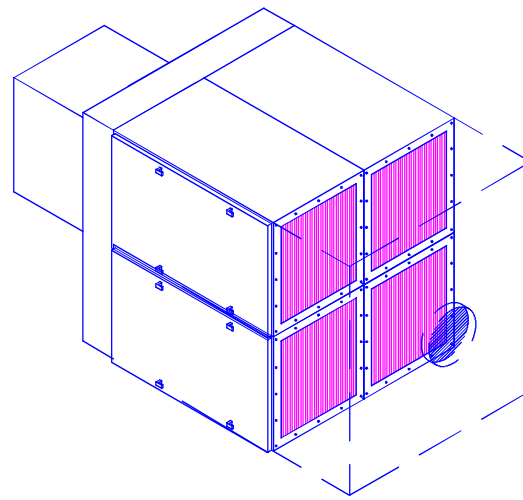
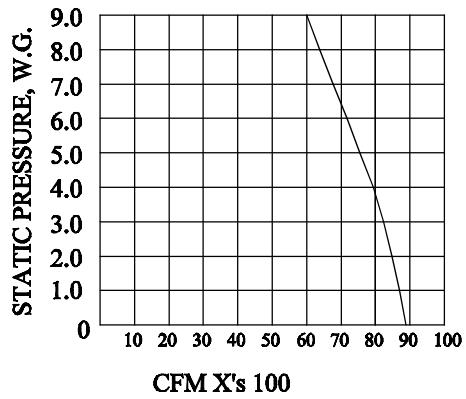
SHEET TITLE : AZTech M36X4 IAC - 5HPDD
 DRWG. NO.: 364I5DD-081307 DRAWN BY: TAA
 DATE: 08/13/07 SCALE: NTS

SPECIFICATIONS:

- DIMENSIONS: 52"H X 80" W X 49" D
- MOTOR: 5 HP 208-230/460/3/60, 13.0-12.4/6.2 FLA
- CFM: 5 HP - 4600 CFM @ 3" W.G.
- ELECTRICAL: WIRED TO JCT. BOX
- BLOWER: DIRECT DRIVE COMPOSITE BI WHEEL AND CONE
- CONSTRUCTION: 12 & 14 GA POWDER COATED STEEL FRAME. (2) 16 GA STEEL DOORS. 3/16 POLYETHYLENE PANELS. ADJ. COMPRESSION HINGES. CAM DOOR AND FILTER LATCHES. 4-WAY ALUMINUM EXHAUST GRILLE
- STD. FILTERS: (4) 4" PLEATED PREFILTER (4) 95% BAG FILTER
- OPTIONAL FILTERS: 65% BAG FILTER. 26 LB CARBON MODULES. 2" MESH PREFILTERS. 2" BAFFLED PREFILTERS. 4" MIST ELIMINATORS. 2" POLY PADS. 99.97% HEPA AFTERFILTERS
- OPTIONS: EYEBOLTS (INSTALLED) SILENCER. MAGNAHELIC PRESSURE GAUGE. SOURCE CAPTURE PLENUM W/COLLAR. DUAL DOORS. FULL CARBON STEEL CONSTRUCTION
- WEIGHT: 1185 LBS. (STD.)
- NOISE: 83.0 dBA

COPYRIGHT: This document and the information contained may not be reproduced or distributed without express written consent of INDUSTRIAL MAID. Unauthorized reproduction, disclosure, or manufacturing use are prohibited by copyright law.

INDUSTRIAL MAID
 INDUSTRIAL MAID LLC
 351 S. 12TH RD.
 CORTLAND, NE 68331
 Ph. (402) 798-7116
 Fax (402) 798-7117
 www.industrial-maid.com



SHEET TITLE : AZTech M36X4 IAC - 15HPDD

DRWG. NO.: 364H15DD-11111 DRAWN BY: TAA

DATE: 11/1/11 SCALE: NTS

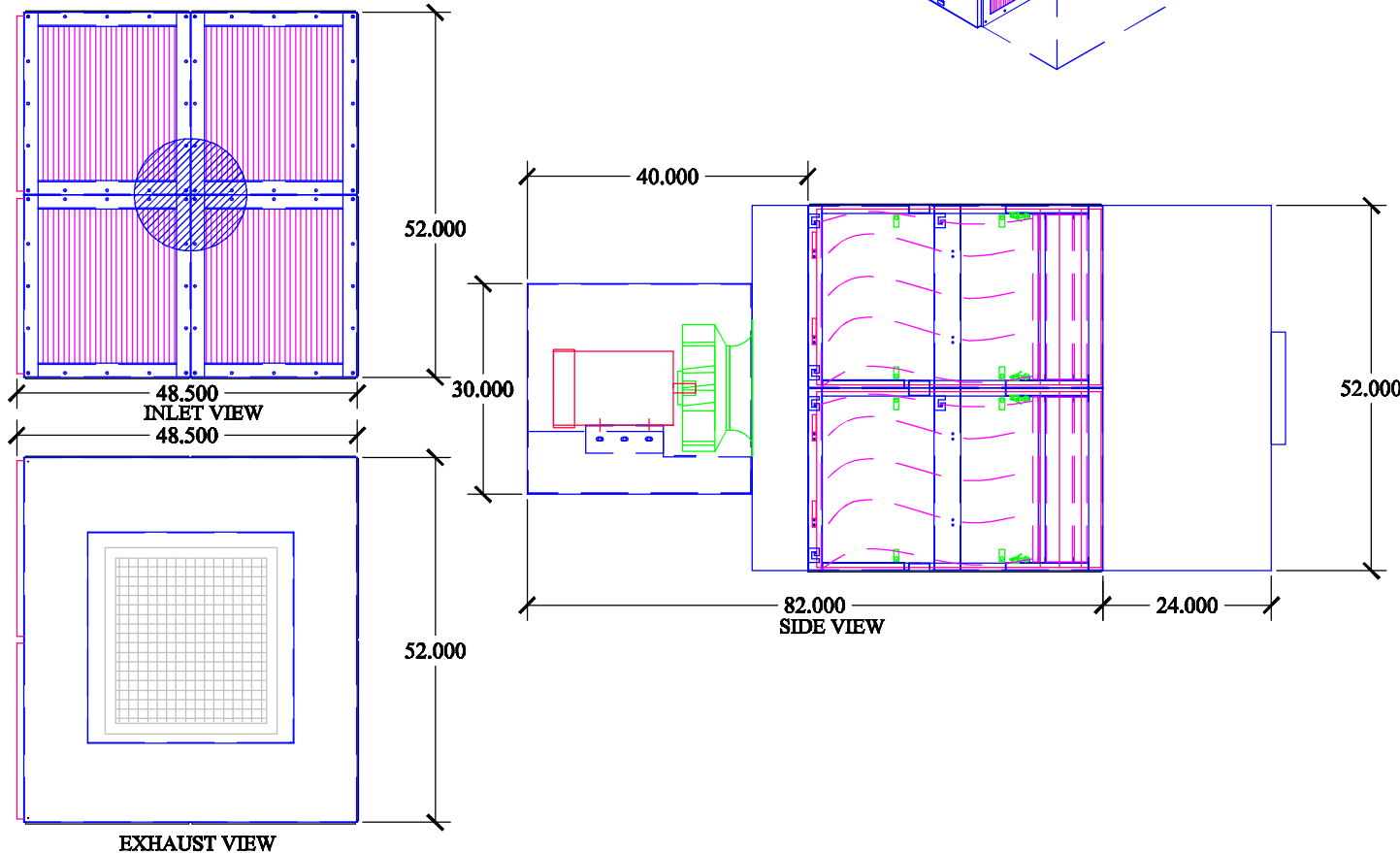
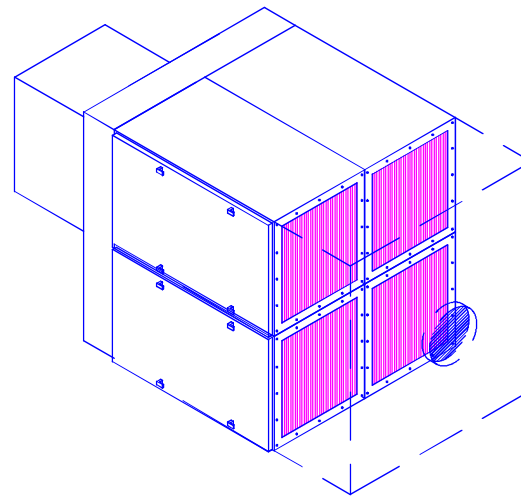
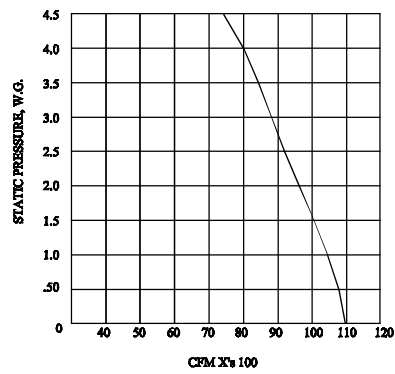
SPECIFICATIONS:

- DIMENSIONS: 52" H X 82" W X 49" D
- MOTOR: 15 HP 230/460/3/60, 36.0/18.0 FLA
- CFM: 7,500 CFM @ 5.0" W.G.
- ELECTRICAL: WIRED TO JCT. BOX
- BLOWER: DIRECT DRIVE AIRFOIL BI WHEEL AND CONE
- CONSTRUCTION: 12 & 14 GA POWDER COATED STEEL FRAME. (2) 16 GA STEEL DOORS. 3/16 POLYETHYLENE PANELS. ADJ. COMPRESSION HINGES CAM DOOR AND FILTER LATCHES 4-WAY ALUMINUM EXHAUST GRILLE
- STD. FILTERS: (4) 4" PLEATED PREFILTER (4) 95% BAG FILTER
- OPTIONAL FILTERS: 65% BAG FILTER. 26 LB CARBON MODULES 2" MESH PREFILTERS 2" BAFFLED PREFILTERS 4" MIST ELIMINATORS 2" POLY PADS 99.97% HEPA AFTERFILTERS
- OPTIONS: EYEBOLTS (INSTALLED) SILENCER MAGNAHELIC PRESSURE GAUGE MANOMETER SOURCE CAPTURE PLENUM DUAL DOORS FULL CARBON STEEL CONSTRUCTION
- WEIGHT: 1293 LBS. (STD.)

COPYRIGHT: This document and the information contained may not be reproduced or distributed without express written consent of INDUSTRIAL MAID. Unauthorized reproduction, disclosure, or manufacturing use are prohibited by copyright law.



INDUSTRIAL MAID
 INDUSTRIAL MAID LLC
 351 S. 12TH RD.
 CORTLAND, NE 68331
 Ph. (402) 798-7116
 Fax (402) 798-7117
 www.industrial-maid.com



SHEET TITLE: AZTech M36X4 IAC - 10HP

DRWG. NO.: 364H10DD-0312 DRAWN BY: TAA

DATE: 03/27/12 SCALE: NTS

SPECIFICATIONS:

DIMENSIONS: 52"H X 82" W X 49" D

MOTOR: 10 HP 208-230/460/3/60, 27.6-25/12.0 FLA

CFM: 6,000 CFM @ 5.0" W.G.

ELECTRICAL: WIRED TO JCT. BOX

BLOWER: DIRECT DRIVE AIRFOIL BI WHEEL AND CONE

CONSTRUCTION: 12 & 14 GA POWDER COATED STEEL FRAME, (2) 16 GA STEEL DOORS, 3/16 POLYETHYLENE PANELS, ADJ. COMPRESSION HINGES CAM DOOR AND FILTER LATCHES 4-WAY ALUMINUM EXHAUST GRILLE

STD. FILTERS: (4) 4" PLEATED PREFILTER (4) 95% BAG FILTER

OPTIONAL FILTERS: 65% BAG FILTER, 26 LB CARBON MODULES 2" MESH PREFILTERS 2" BAFFLED PREFILTERS 4" MIST ELIMINATORS 2" POLY PADS 99.97% HEPA AFTERFILTERS

OPTIONS: EYEBOLTS (INSTALLED) SILENCER MAGNAHELIC PRESSURE GAUGE 1.5" NPT DRAINS SOURCE CAPTURE PLENUM DUAL DOORS FULL CARBON STEEL CONSTRUCTION

WEIGHT: 1293 LBS. (STD.)



INDUSTRIAL MAID
 INDUSTRIAL MAID LLC
 351 S. 12TH RD.
 CORTLAND, NE 68331
 Ph. (402) 798-7116
 Fax (402) 798-7117
 www.industrial-maid.com

COPYRIGHT: This document and the information contained may not be reproduced or distributed without express written consent of INDUSTRIAL MAID. Unauthorized reproduction, disclosure, or manufacturing use are prohibited by copyright law.