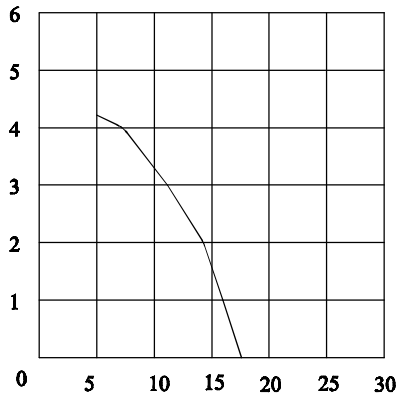
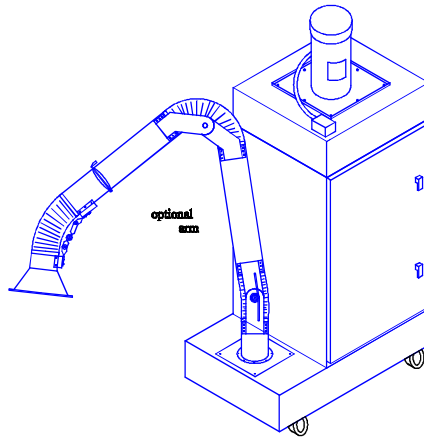


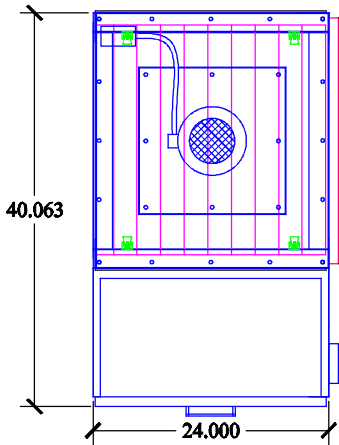
PRESSURE IN. W.G.



CFM X's 100

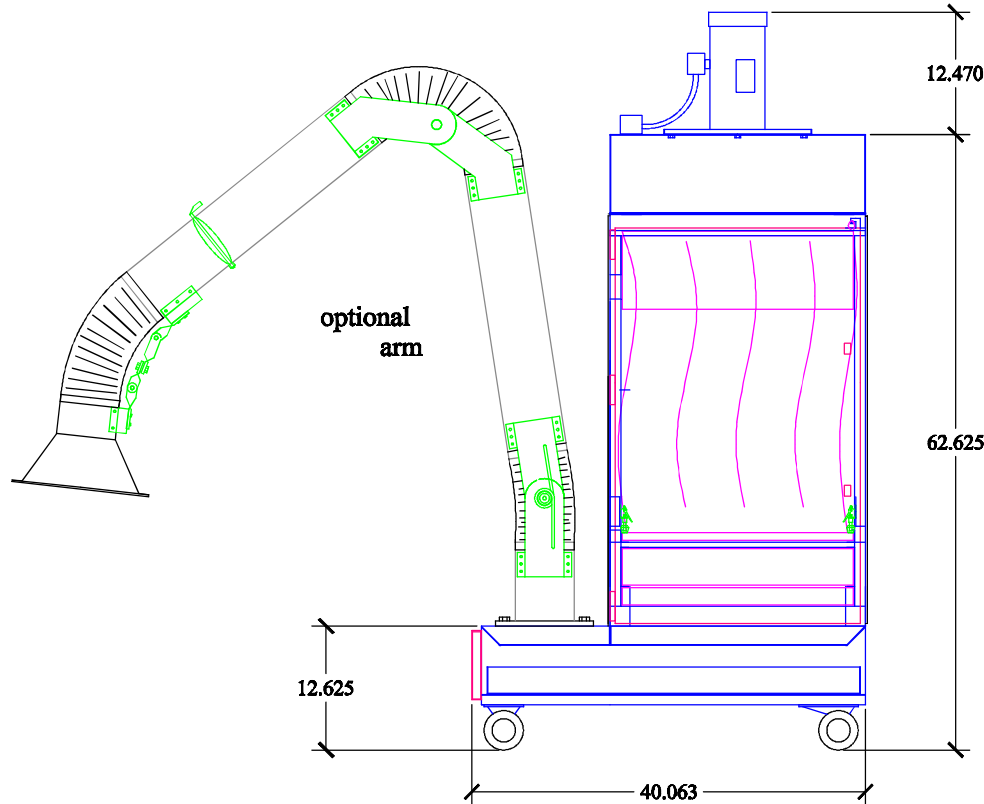


optional arm



40.063

24.000



12.470

62.625

12.625

40.063

optional arm

SHEET TITLE: M36 PAC - 1.0DD

DRWG. NO. M361D-030108

DRAWN BY: TAA

DATE: 03/01/08

SCALE: NTS

SPECIFICATIONS:

DIMENSIONS: 75"H X 40"W X 24"D

MOTOR: 1.0 HP 230/460/3/60 TEFC
1.0 HP 115/1/60 TEFC

CFM: 1200 CFM @ 3" W.G.

CONSTRUCTION 12 & 14 GA POWDER COATED STEEL FRAME. 3" CASTERS
3/16 POLYETHYLENE PANELS. FULL CARBON STEEL CONSTRUCTION AVAILABLE. SIDE ACCESS DOORS
4-WAY ALUMINUM EXHAUST GRILLE

ELECTRICAL 3 PHASE - WIRED TO JUNCTION BOX
115V SINGLE PHASE, SWITCH AND 20 FT CORD

BLOWER: DIRECT DRIVE BI WHEEL

FILTERS: 2" BAFFLE FILTER
4" PLEATED PREFILTER
95% BAG FILTER

OPTIONS: 24" DOWNDRAFT TABLE
SILENCER
MAGNETIC PRESSURE GAUGE
MOTOR STARTER
SOURCE CAPTURE ARM(S)

WEIGHT: 368 LBS.

NOISE: 69.5 dBA



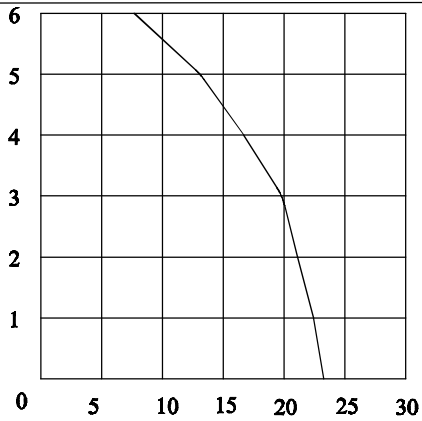
INDUSTRIAL MAID

MFG. BY:

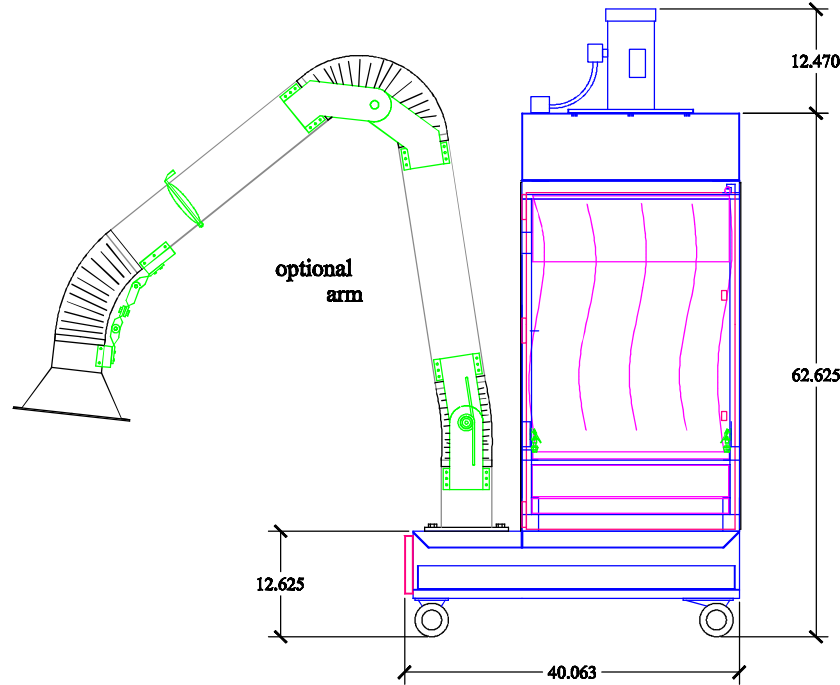
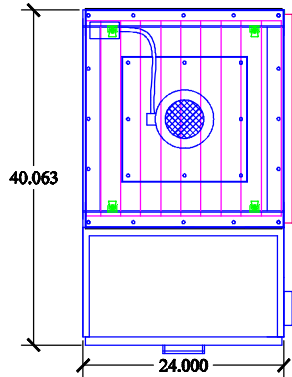
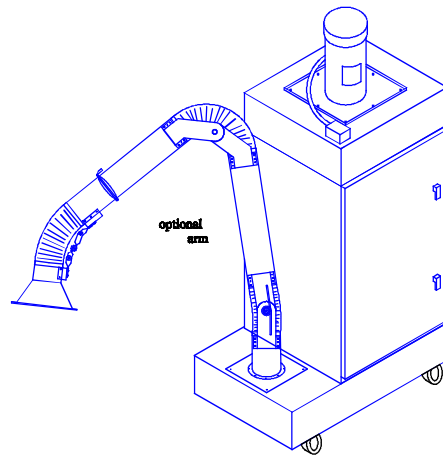
INDUSTRIAL MAID LLC
 351 S. 12TH RD.
 CORTLAND, NE 68331
 Ph. (402) 798-7116
 Fax (402) 798-7117
 www.industrial-maid.com

COPYRIGHT: This document and the information contained may not be reproduced or distributed without express written consent of INDUSTRIAL MAID. Unauthorized reproduction, disclosure, or manufacturing use are prohibited by copyright law.

PRESSURE IN. W.G.



CFM X's 100



SHEET TITLE : AZTech M36 PAC 1.5DD
 DRWG. NO. M3615D-051707 DRAWN BY: TAA
 DATE: 05/17/07 SCALE: NTS

SPECIFICATIONS:

- DIMENSIONS: 80"H X 40"W X 24"D
- MOTOR: 1.5 HP 115/1/60 TEFC, 14.2 FLA
- CFM: 2000 CFM @ 3" W.G.
- CONSTRUCTION: 12 & 14 GA POWDER COATED STEEL FRAME. DUST TRAY 3/16 POLYETHYLENE PANELS. FULL CARBON STEEL CONSTRUCTION AVAILABLE. 3" SWIVEL CASTERS REAR OUTLET, ACCESS DOOR
- ELECTRICAL ON/OFF SWITCH AND 25 FT CORD
- BLOWER: 11" COMPOSITE BI IMPELLER
- FILTERS: 2" BAFFLE FILTER
4" PLEATED PREFILTER
95% BAG FILTER
- OPTIONS: (2) 26 LB. CARBON BANKS
6" X 10 F EXTRACTION ARM
MAGNAHELIC PRESSURE GUAGE
MOTOR STARTER
INLET COLLARS
- WEIGHT: 485 LBS. W/ ARM
- NOISE: 69.5 dBA

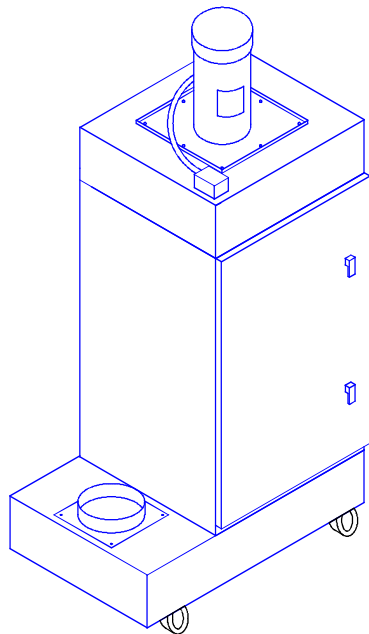


INDUSTRIAL MAID

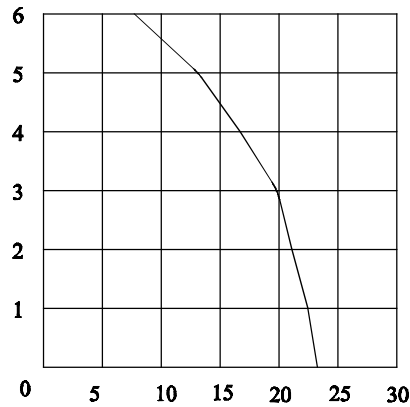
MFG. BY:

INDUSTRIAL MAID LLC
 351 S. 12TH RD.
 CORTLAND, NE 68331
 Ph. (402) 798-7116
 Fax (402) 798-7117
 www.industrial-maid.com

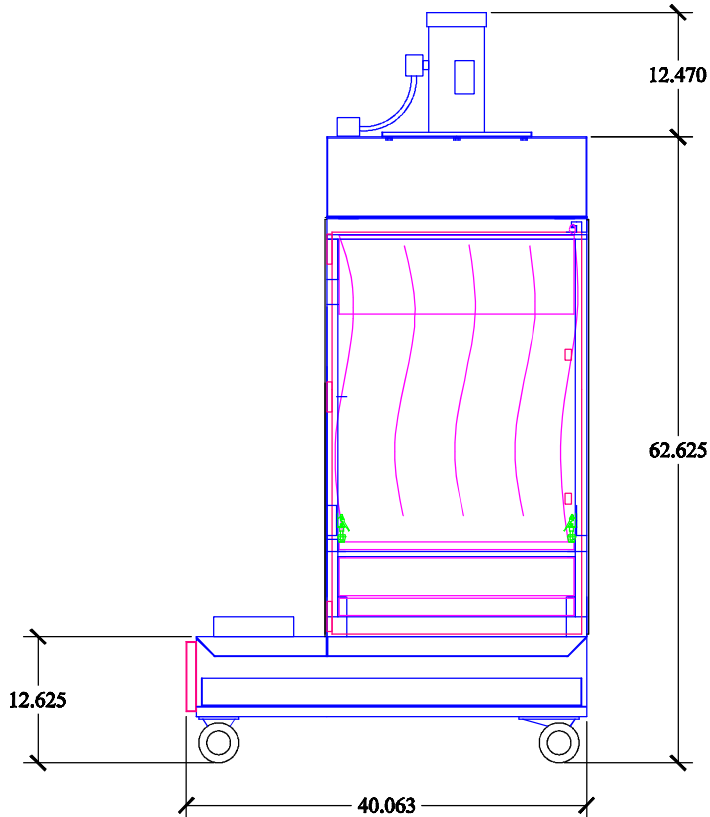
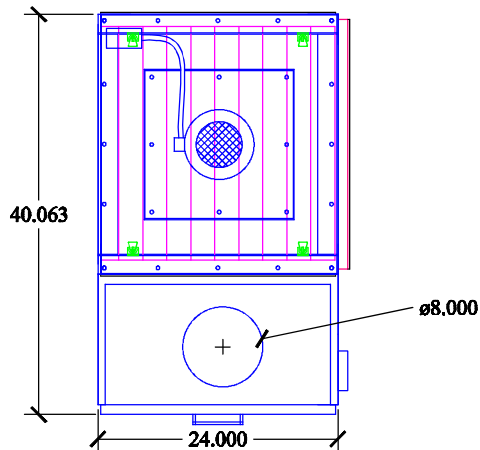
COPYRIGHT: This document and the information contained may not be reproduced or distributed without express written consent of INDUSTRIAL MAID. Unauthorized reproduction, disclosure, or manufacturing use are prohibited by copyright law.



PRESSURE IN. W.G.



CFM X's 100



SHEET TITLE : AZTech M36 PAC 1.5DD-8CP
 DRWG. NO. M3615D8-051707 DRAWN BY: TAA
 DATE: 05/17/07 SCALE: NTS

SPECIFICATIONS:

DIMENSIONS: 80"H X 40"W X 24"D

MOTOR: 1.5 HP 115/1/60 TEFC, 14.2 FLA

CFM: 2000 CFM @ 3" W.G.

CONSTRUCTION: 12 & 14 GA POWDER COATED STEEL FRAME. DUST TRAY 3/16 POLYETHYLENE PANELS. FULL CARBON STEEL CONSTRUCTION AVAILABLE. 3" SWIVEL CASTERS REAR OUTLET, ACCESS DOOR

ELECTRICAL: ON/OFF SWITCH AND 25 FT CORD

BLOWER: 11" COMPOSITE BI IMPELLER

FILTERS: 2" BAFFLE FILTER
 4" PLEATED PREFILTER
 95% BAG FILTER

OPTIONS: (2) 26 LB. CARBON BANKS
 5" X 10 F EXTRACTION ARM
 MAGNETIC PRESSURE GAUGE
 MOTOR STARTER
 INLET COLLARS

WEIGHT: 385 LBS.

NOISE: 69.5 dBA



INDUSTRIAL MAID

MFG. BY:

INDUSTRIAL MAID LLC

351 S. 12TH RD.

CORTLAND, NE 68331

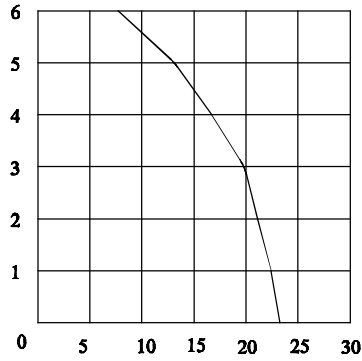
Ph. (402) 798-7116

Fax (402) 798-7117

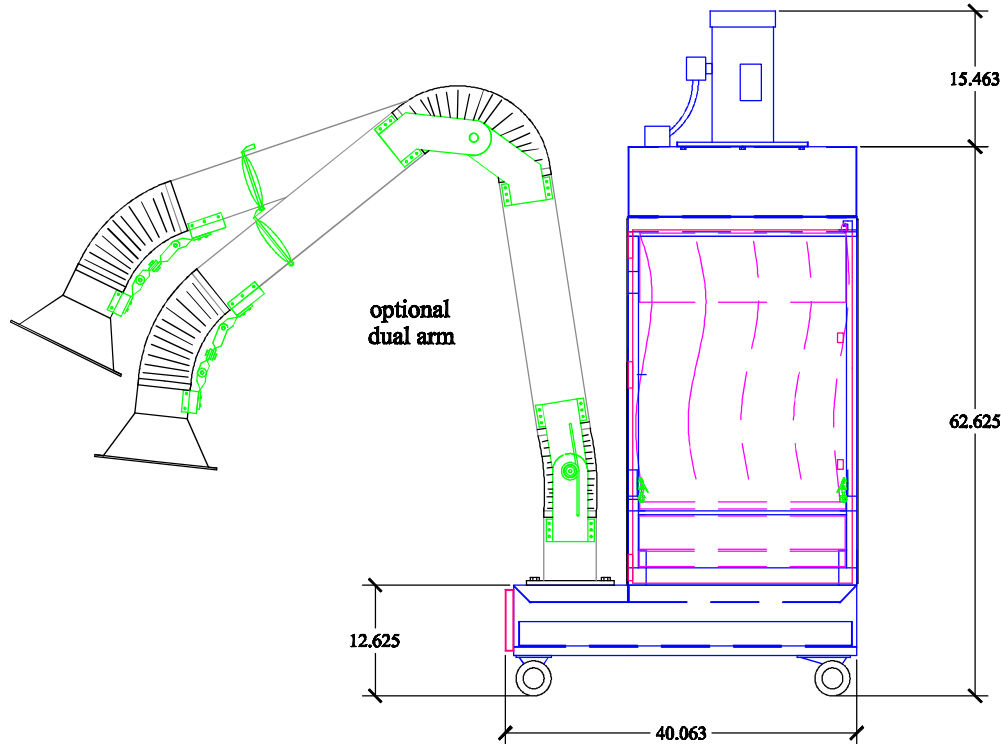
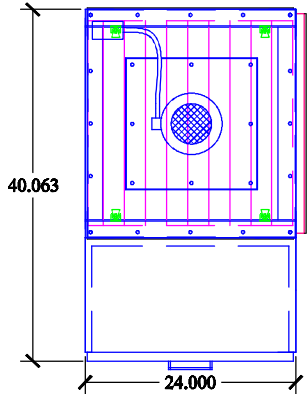
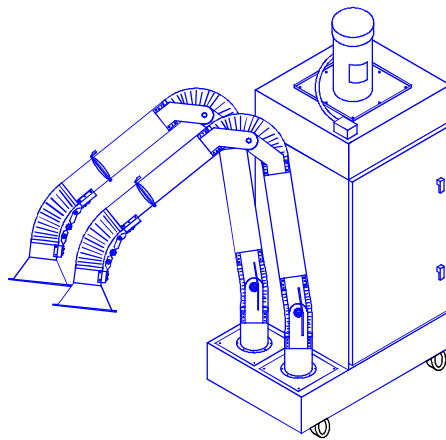
www.industrial-maid.com

COPYRIGHT: This document and the information contained may not be reproduced or distributed without express written consent of INDUSTRIAL MAID. Unauthorized reproduction, disclosure, or manufacturing use are prohibited by copyright law.

PRESSURE IN. W.G.



CFM X's 100



SHEET TITLE : M36 PAC 2.0DD-DA

DRWG. NO. M363D-030106

DRAWN BY: TAA

DATE: 03/01/06

SCALE: NTS

SPECIFICATIONS:

- DIMENSIONS:** 79"H X 40"W X 24"D
- MOTOR:** 2 HP 230/460/3/60 TEFC
6.0/3.0 FLA
- CFM:** 2000 CFM @ 3" W.G.
- CONSTRUCTION:** 12 & 14 GA POWDER COATED STEEL FRAME. 3" CASTERS
3/16 POLYETHYLENE PANELS. FULL CARBON STEEL CONSTRUCTION AVAILABLE. SIDE ACCESS DOORS
4-WAY ALUMINUM EXHAUST GRILLE
- ELECTRICAL:** 3 PHASE - WIRED TO JUNCTION BOX
- BLOWER:** DIRECT DRIVE BI
- FILTERS:** 2" BAFFLE FILTER
4" PLEATED PREFILTER
95% BAG FILTER
- OPTIONS:** 24" DOWNDRAFT TABLE
SILENCER
MAGNAHELIC PRESSURE GAUGE
MOTOR STARTER
SOURCE CAPTURE ARM(S)
- WEIGHT:** 385
- NOISE:** 76.0 dBA



INDUSTRIAL MAID

MFG. BY:

INDUSTRIAL MAID LLC
 351 S. 12TH RD.
 CORTLAND, NE 68331
 Ph. (402) 798-7116
 Fax (402) 798-7117
 www.industrial-maid.com

COPYRIGHT: This document and the information contained may not be reproduced or distributed without express written consent of INDUSTRIAL MAID. Unauthorized reproduction, disclosure, or manufacturing use are prohibited by copyright law.