

SHEET TITLE : **AZTech EB80-1**  
 DRWG. NO.: **EB80-101808** DRAWN BY: **TAA**  
 DATE: **10/18/08** SCALE: **NTS**

**SPECIFICATIONS:**

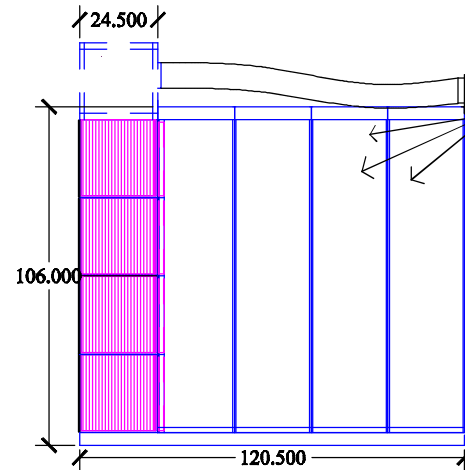
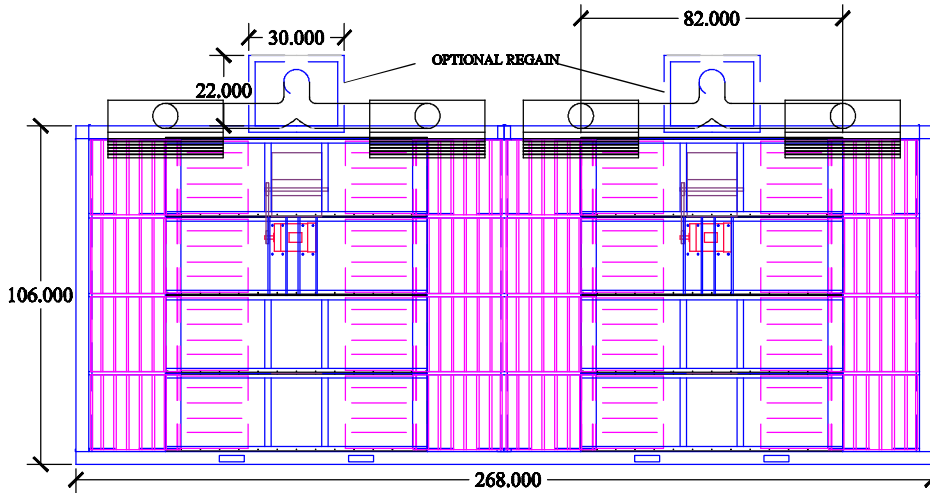
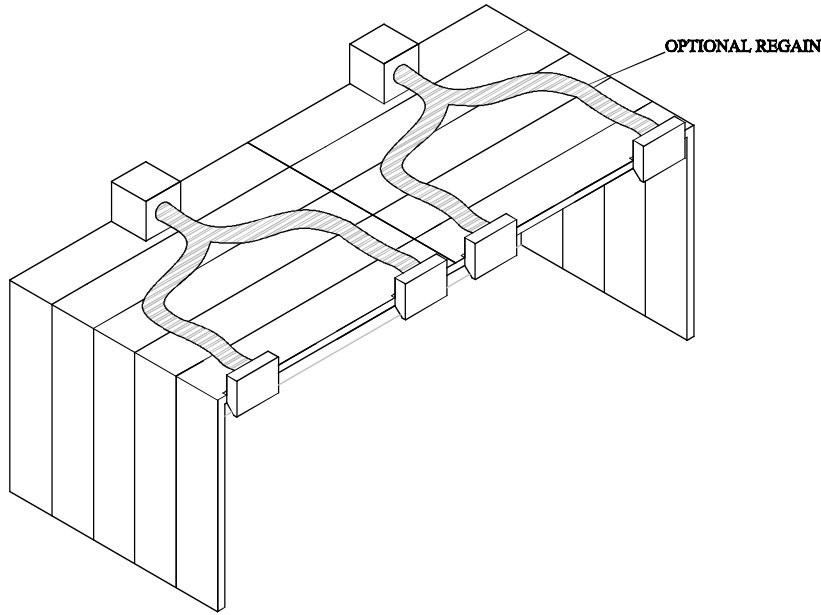
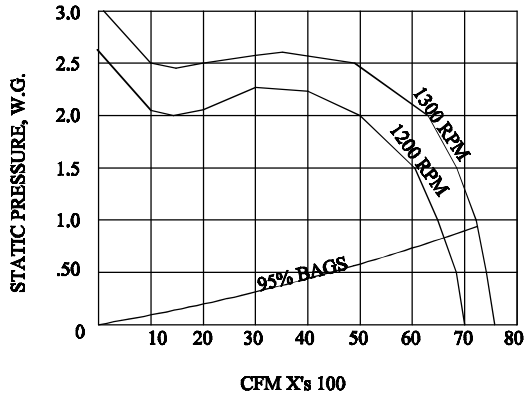
- DIMENSIONS:** 106"H X 138" W X 120.5" D
- MOTOR:** 5 HP 208-230/460/3/60  
TEFC MOTOR, 14.0-12.6/6.3 FLA
- CFM:** 7500 CFM
- CONSTRUCTION:** 14 & 16 GA POWDER COATED STEEL FRAME,  
3/16 POLYETHYLENE PANELS. FULL CARBON STEEL CONSTRUCTION AVAILABLE,  
4-WAY ALUMINUM EXHAUST GRILLE
- ELECTRICAL:** WIRED TO JCT. BOX  
OPT. MOTOR STARTER
- BLOWER:** 12 X 12 FORWARD CURVED BLOWER  
OPTIONAL BI TOP MOUNTED FAN
- FILTERS:** 2" ALUMINUM BAFFLE PREFILTER  
4" PLEATED PREFILTER  
95% FIBERGLASS BAG FILTER
- OPTIONS:** HEPA AFTER FILTER  
SILENCER  
MAGNETIC PRESSURE GAUGE  
REGAIN  
2" ALUMINUM MESH
- WEIGHT:** 2150 LBS.
- NOISE:** 78.5 dBA



**INDUSTRIAL MAID**  
 INDUSTRIAL MAID LLC  
 351 S. 12TH RD.  
 CORTLAND, NE 68331  
 Ph. (402) 798-7116  
 Fax (402) 798-7117  
 www.industrial-maid.com

**COPYRIGHT:** This document and the information contained may not be reproduced or distributed without express written consent of INDUSTRIAL MAID. Unauthorized reproduction, disclosure, or manufacturing use are prohibited by copyright law.

**5 HP**



SHEET TITLE : **AZTech EB80-2 BOOTH**

DRWG. NO: **EB80-2-101804** DRAWN BY: **TAA**

DATE: **12/03/04** SCALE: **NTS**

**SPECIFICATIONS:**

**DIMENSIONS:** 106"H X 268" W X 120.5" D

**MOTOR:** (2) 5 HP 208-230/460/3/60  
TEFC MOTORS, 14.0-12.6/6.3 FLA

**CFM:** 15000 CFM TOTAL

**CONSTRUCTION** 14 & 16 GA POWDER COATED STEEL FRAME.  
3/16 POLYETHYLENE PANELS, FULL CARBON STEEL CONSTRUCTION AVAILABLE,  
4-WAY ALUMINUM EXHAUST GRILLE

**ELECTRICAL** WIRED TO JCT. BOX  
OPT. MOTOR STARTER

**BLOWER:** (2) 12X12 FORWARD CURVED BLOWER  
OPTIONAL BI TOP MOUNTED FAN

**FILTERS:** 2" POLY PAD AND FRAME  
4" PLEATED PREFILTER  
95% FIBERGLASS BAG FILTER

**OPTIONS:** HEPA AFTER FILTER  
SILENCER  
MAGNAHELIC PRESSURE GAUGE  
REGAIN  
2" ALUMINUM MESH  
2" ALUMINUM BAFFLE PREFILTER

**WEIGHT:** 4300 LBS.

**NOISE:** 78.5 dBA



**INDUSTRIAL MAID**  
INDUSTRIAL MAID LLC  
351 S. 12TH RD.  
CORTLAND, NE 68331  
Ph. (402) 798-7116  
Fax (402) 798-7117  
www.industrial-maid.com

**COPYRIGHT:** This document and the information contained may not be reproduced or distributed without express written consent of INDUSTRIAL MAID. Unauthorized reproduction, disclosure, or manufacturing use are prohibited by copyright law.