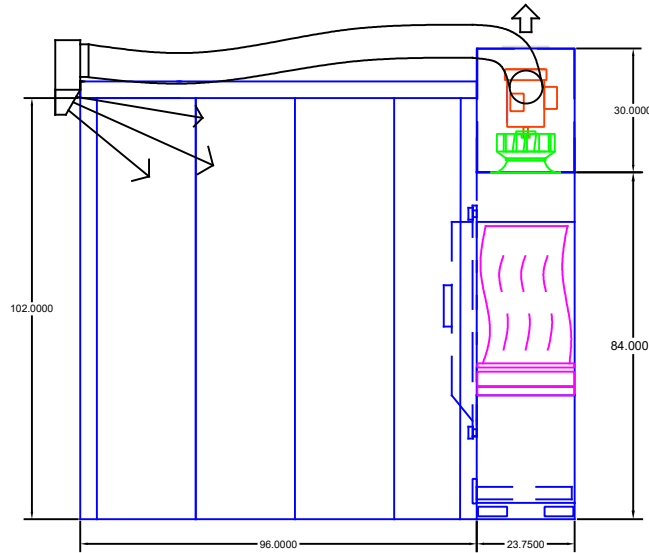
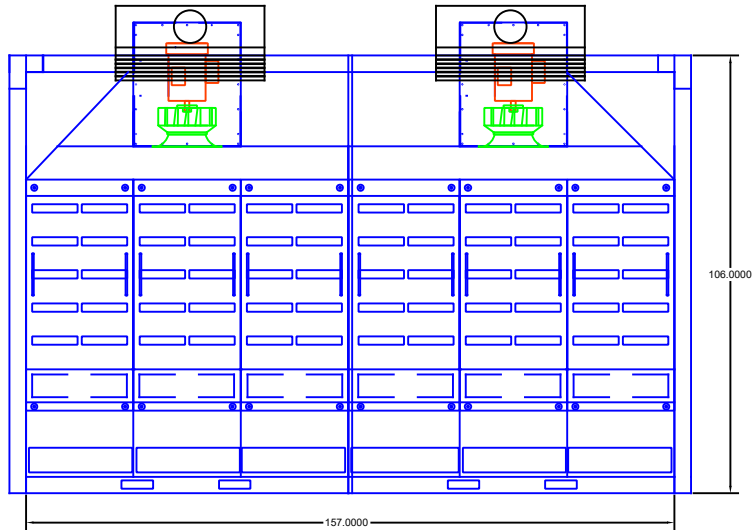
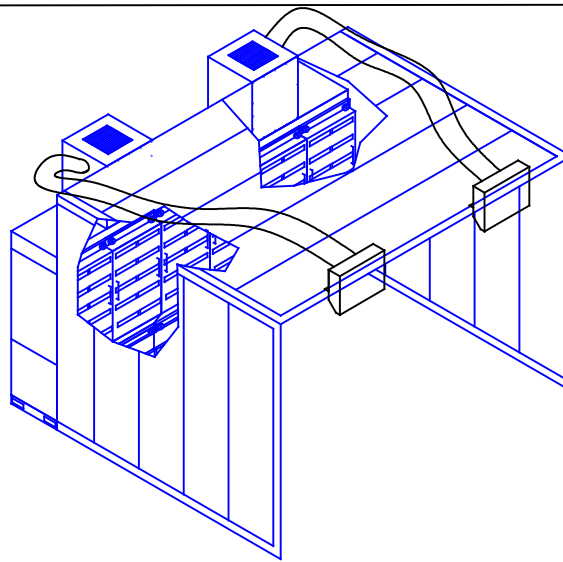
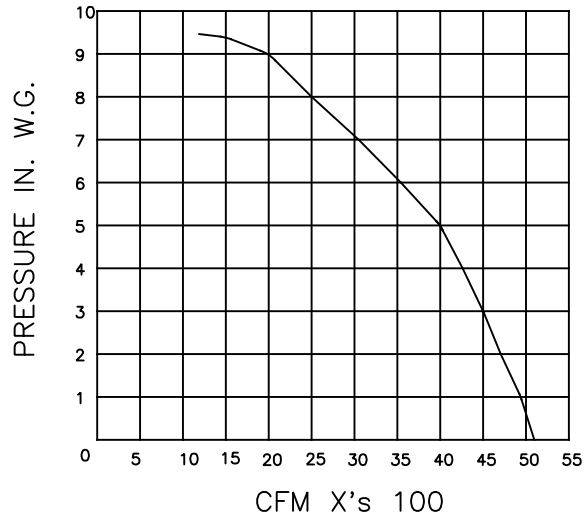


SHEET TITLE : <b>AZTech EB56-1B88-R</b>	
DRWG. NO: <b>EB56-5DD--1B88-R</b>	DRAWN BY: <b>TAA</b>
DATE: <b>05/15/18</b>	SCALE: <b>NTS</b>
<b>SPECIFICATIONS:</b>	
DIMENSIONS:	120"H X 104" W X 120" D
MOTOR:	5 HP 208-230/460/3/60 TEFC MOTOR STD. 13.5-12.4/6.2 FLA
CFM:	4500 CFM @ 3.0" W.G.
CONSTRUCTION	7, 10, & 14 GA POWDER COATED STEEL FRAME. 16 GA. POWDER COATED STEEL PANELS. BAFFLED INLET GRID GASKETED FRONT FILTER ACCESS 96" H X 96" W X 96" D ENCLOSURE 18 GA. STEEL PANELS ACOUSTIC PAD LINING SPARK DROP OUT CHAMBER *OPTIONAL DUST DRAWERS
ELECTRICAL	WIRED TO JCT. BOX OPT. MOTOR STARTERS
BLOWER:	BACKWARD INCLINED COMPOSITE WHEEL
FILTERS:	2" GALV. BAFFLE PREFILTER 4" PLEATED PREFILTER 95% FIBERGLASS BAG FILTER
OPTIONS:	MAGNAHELIC PRESSURE GAUGE REGAIN, W/ COLLARS & GATE 2" ALUMINUM MESH 99.97% HEPA FINAL FILTERS (4) 26 LB CARBON V-BANKS 2" OR 4" MIST ELIMINATORS 2" POLY PADS SIDE SHIELDS ACOUSTIC LINED BLOWER CHAMBER CURTAIN ENCLOSURES THERMAL SENSOR/ POWER SHUT OFF
WEIGHT:	T.B.D.
NOISE:	83.0 dBA



**INDUSTRIAL MAID**  
**INDUSTRIAL MAID LLC**  
 351 S. 12TH RD.  
 CORTLAND, NE 68331  
 Ph. (402) 798-7116  
 Fax (402) 798-7117  
[www.industrial-maid.com](http://www.industrial-maid.com)

COPYRIGHT: This document and the information contained may not be reproduced or distributed without express written consent of INDUSTRIAL MAID. Unauthorized reproduction, disclosure, or manufacturing use are prohibited by copyright law.



SHEET TITLE : AZTech EB56X2-96B-REG  
 DRWG. NO: EB562-5D-96B-R-14 DRAWN BY: TAA

DATE: 05/15/18 SCALE: NTS

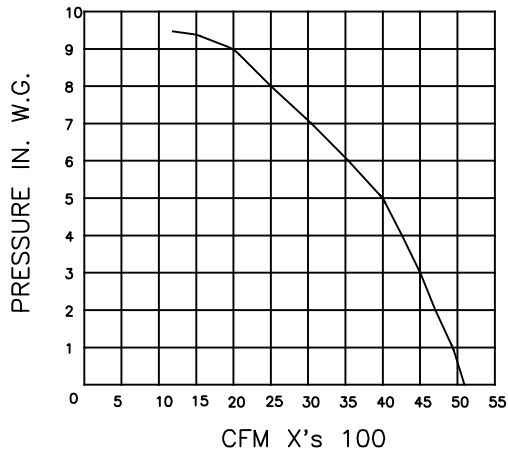
**SPECIFICATIONS:**

- DIMENSIONS: 115"H X 157" W X 120" D
- MOTOR: (2) 5 HP 208-230/460/3/60 TEFC MOTOR STD. 13.5-12.4/6.2 FLA
- CFM: (2) 4500 CFM @ 3.0" W.G.
- CONSTRUCTION 7,10,&14 GA POWDER COATED STEEL FRAME.  
 16 GA. POWDER COATED STEEL PANELS. BAFFLED INLET GRID  
 GASKETED FRONT FILTER ACCESS 110" H X 156" W X 120" D ENCLOSURE  
 GALV. STEEL PANELS  
 ACOUSTIC PAD LINING  
 SPARK DROP OUT CHAMBER  
 \*OPTIONAL DUST DRAWERS
- ELECTRICAL (2) WIRED TO JCT. BOX  
 OPT. MOTOR STARTERS
- BLOWER: BACKWARD INCLINED COMPOSITE WHEEL
- FILTERS: 2" GALV. BAFFLE PREFILTER  
 4" PLEATED PREFILTER  
 95% FIBERGLASS BAG FILTER
- OPTIONS: MAGNAHELIC PRESSURE GAUGE  
 REGAIN, W/ COLLARS & GATE  
 2" ALUMINUM MESH  
 99.97% HEPA FINAL FILTERS  
 (4) 26 LB CARBON V-BANKS  
 2" OR 4" MIST ELIMINATORS  
 2" POLY PADS  
 CURTAIN DOORS  
 ACOUSTIC LINED BLOWER CHAMBER  
 CURTAIN ENCLOSURES  
 THERMAL SENSOR/ POWER SHUT OFF
- WEIGHT: 3720 LBS.
- NOISE: NA

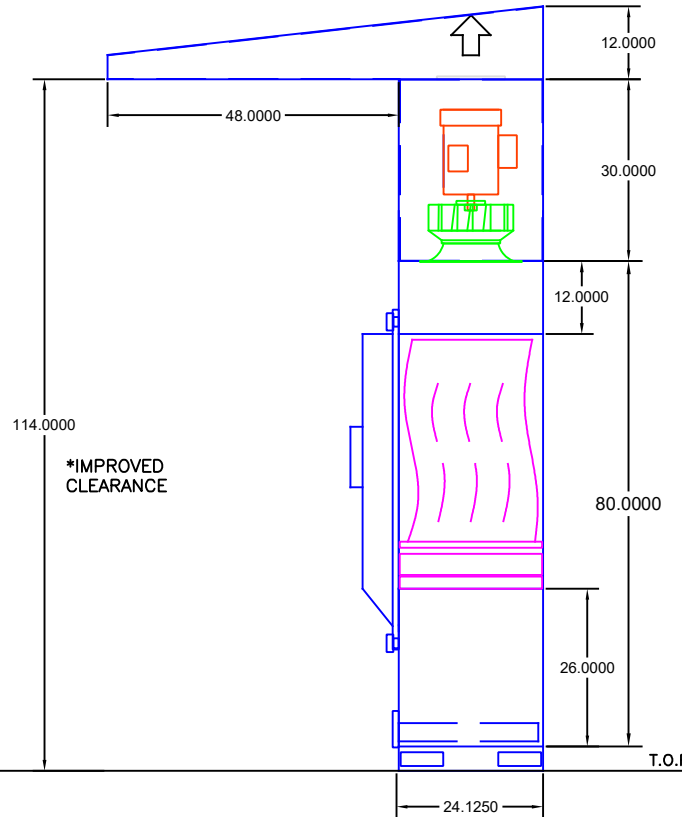
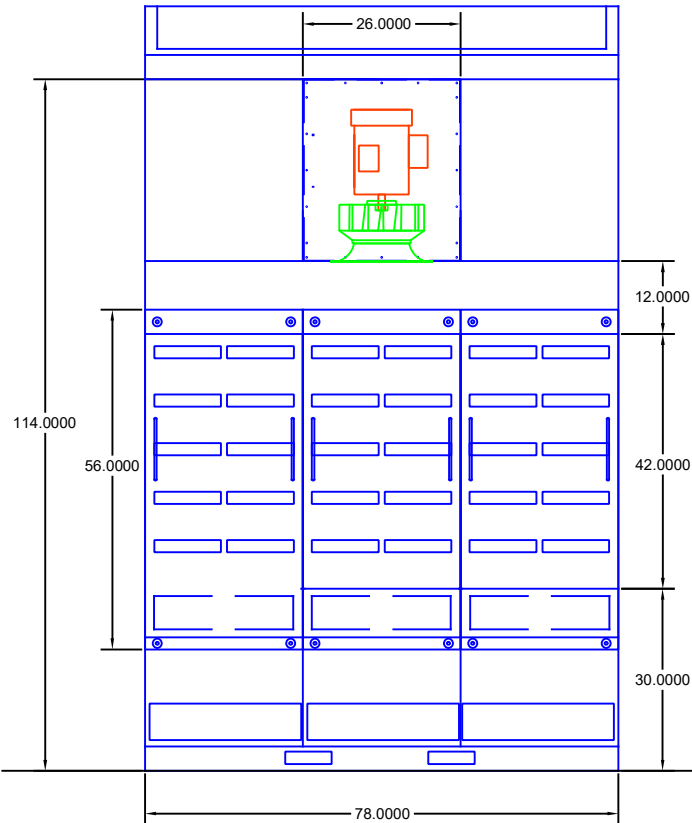
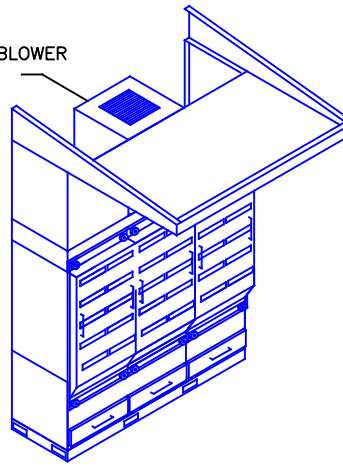


**INDUSTRIAL MAID**  
 INDUSTRIAL MAID LLC  
 351 S. 12TH RD.  
 CORTLAND, NE 68331  
 Ph. (402) 798-7116  
 Fax (402) 798-7117  
 www.industrial-maid.com

COPYRIGHT: This document and the information contained may not be reproduced or distributed without express written consent of INDUSTRIAL MAID. Unauthorized reproduction, disclosure, or manufacturing use are prohibited by copyright law.



ACOUSTICALLY LINED BLOWER CABINET, UPBLAST



\*IMPROVED CLEARANCE

SHEET TITLE: AZTech EB56-MOD-5DD-4CT-9  
 DRWG. NO.: EB56-5DD49-0609 DRAWN BY: TAA  
 DATE: 05/15/18 SCALE: NTS

**SPECIFICATIONS:**

DIMENSIONS: 126"H X 78" W X 28.5" D

MOTOR: 5 HP 208-230/460/3/60  
 TEFC MOTOR STD.  
 13.5-12.4/6.2 FLA

CFM: 4500 CFM @ 3.0" W.G.

CONSTRUCTION 7,10,&14 GA POWDER COATED STEEL FRAME.  
 16 GA. POWDER COATED STEEL PANELS. BAFFLED INLET GRID  
 GASKETED FRONT FILTER ACCESS  
 4-WAY ALUMINUM EXHAUST GRILLE  
 SPARK DROP OUT CHAMBER  
 18 GA X 4 FT CANTILEVER ROOF

ELECTRICAL WIRED TO JCT. BOX  
 OPT. MOTOR STARTER

BLOWER: BACKWARD INCLINED COMPOSITE WHEEL

FILTERS: 2" GALV. BAFFLE PREFILTER  
 4" PLEATED PREFILTER  
 95% FIBERGLASS BAG FILTER

OPTIONS: MAGNAHELIC PRESSURE GAUGE REGAIN  
 2" ALUMINUM MESH  
 99.97% HEPA FINAL FILTERS  
 (4) 26 LB CARBON V-BANKS  
 2" OR 4" MIST ELIMINATORS  
 2" POLY PADS  
 DUST DRAWERS  
 THERMAL SENSOR/POWER SHUT OFF  
 VINYL CURTAIN SIDES

WEIGHT: 2022 LBS.

NOISE: 83.0 dBA



**INDUSTRIAL MAID**

INDUSTRIAL MAID LLC

351 S. 12TH RD.

CORTLAND, NE 68331

Ph. (402) 798-7116

Fax (402) 798-7117

www.industrial-maid.com

COPYRIGHT: This document and the information contained may not be reproduced or distributed without express written consent of INDUSTRIAL MAID. Unauthorized reproduction, disclosure, or manufacturing use are prohibited by copyright law.