


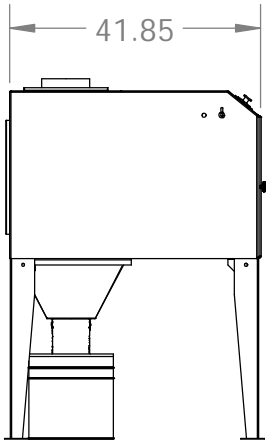
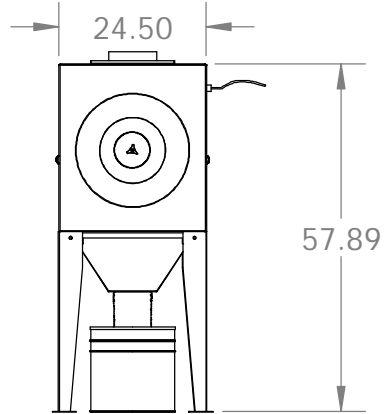
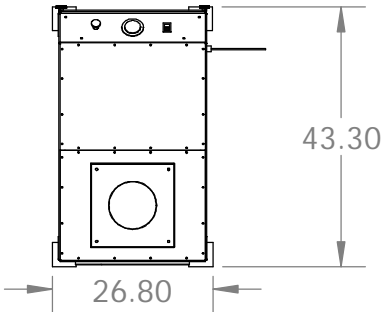
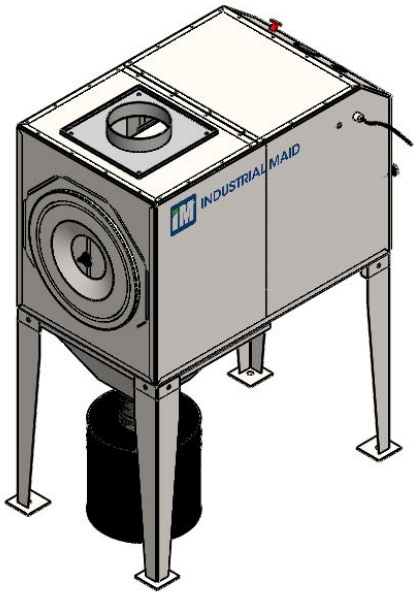
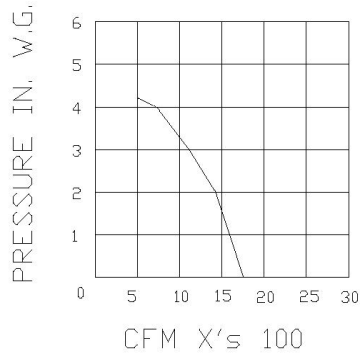
SPECIFICATIONS:

- DIMENSIONS:** 44.5" W X 26.32"D X 32" H
- MOTOR:** 1.0 HP TEFC, 115/208-230/1/60 11./-5.7-5.6 FLA
OR
230/460/3/60 TEFC 3.0/1.5 FLA
- ELECTRICAL:** 1 PH. ON/OFF SW. & 25 FT CORD
3 PH. WIRED TO JCT. BOX
- CFM:** 800 CFM @ 3.5" W.G
- BLOWER:** DIRECT DRIVE BI
- CONSTRUCTION:** 12 & 14 GA STEEL
GREY POWDERCOAT
4" LEG SUPPORTS
DUST DRAWER W/ CAM
RELEASE LEVER
TOOL-LESS FILTER SERVICE
INLET COLLAR 4-8" (SPECIFY)
- FILTER:** 200 SF, FR CELL/POLY, 99.5%
* OPT. FR NANO-FIBER
- WEIGHT:** 301 LBS. STD
- NOISE:** 72 DBA
- OPTIONS:** CARBON AFTER FILTER
HEPA AFTERFILTER
7, 10 & 14 FT EXTRACT. ARMS
INTERNAL/PUSH BUTTON
CLEANING
FILTER SERVICE GAUGE
DUAL EXTRACTION ARMS
LIGHT KITS
5 GALLON HOPPPER W/ STAND
AUTO PULSE CLEANING

	NAME	DATE	AZTech DFC8	
DRAWN	TAA	9/6/13		
CHECKED	JZ	9/6/13	TITLE:	
INDUSTRIAL MAID 315 S.12 RD. CORTLAND, NE 68331 (877) 624-3247			DFC8 DUST & FUME COLLECTOR	
<p style="text-align: center;">PROPRIETARY AND CONFIDENTIAL</p> <p>THE INFORMATION CONTAINED IN THIS DRAWING IS THE SOLE PROPERTY OF INDUSTRIAL MAID LLC ANY REPRODUCTION IN PART OR AS A WHOLE WITHOUT THE WRITTEN PERMISSION OF INDUSTRIAL MAID LLC IS PROHIBITED.</p>  <p style="text-align: center;">INDUSTRIAL MAID</p>				
SIZE	DWG. NO.	REV		
A	DFC8 spec			
SCALE: 1:24	WEIGHT: 300.76	SHEET 1 OF 1		

SPECIFICATIONS:

- DIMENSIONS:** 43.3" W X 26.8" D X 60" H
- MOTOR:** 1.0 HP TEFC, 115/208-230/1/60
11./-5.7-5.6 FLA
OR
230/460/3/60 TEFC 3.0/1.5 FLA
- ELECTRICAL:** 1 PH. ON/OFF SW. & 25 FT CORD
3 PH. WIRED TO JCT. BOX
- CFM:** 800 CFM @ 3.5" W.G
- BLOWER:** DIRECT DRIVE BI
- CONSTRUCTION:** 12 & 14 GA STEEL
GREY POWDERCOAT
30" LEG SUPPORTS
DUST HOPPER
W/ 5 GALLON CONTAINER
TOOL-LESS FILTER SERVICE
INLET COLLAR 4-8" (SPECIFY)
- FILTER:** 200 SF, FR CELL/POLY, 99.5%
* OPT. FR NANO-FIBER
- WEIGHT:** 301 LBS. STD
- NOISE:** 72 DBA
- OPTIONS:** CARBON AFTER FILTER
HEPA AFTERFILTER
7, 10 & 14 FT EXTRACT. ARMS
INTERNAL/PUSH BUTTON
CLEANING
FILTER SERVICE GAUGE DUAL
EXTRSACTION ARMS
LIGHT KITS
5 GALLON HOPPPER W/ STAND
AUTO PULSE CLEANING



PROPRIETARY AND CONFIDENTIAL

THE INFORMATION CONTAINED IN THIS DRAWING IS THE SOLE PROPERTY OF INDUSTRIAL MAID LLC ANY REPRODUCTION IN PART OR AS A WHOLE WITHOUT THE WRITTEN PERMISSION OF INDUSTRIAL MAID LLC IS PROHIBITED.



INDUSTRIAL MAID

	NAME	DATE
DRAWN	TAA	09/08/14
CHECKED	JZ	09/08/14

INDUSTRIAL MAID
315 S.12 RD.
CORTLAND, NE 68331
(877) 624-3247

AZTech DFC8-H10

TITLE:
**DFC8 DUST COLLECTOR
W/ HOPPER AND STAND**

SIZE	DWG. NO.	REV
A	DFC8-H10	

SCALE: 1:24 WEIGHT: 295.28 SHEET 1 OF 1