


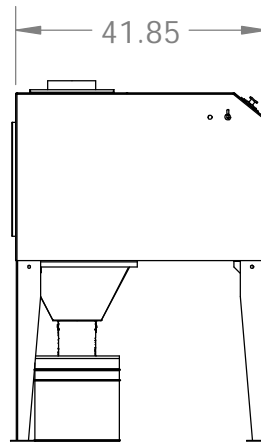
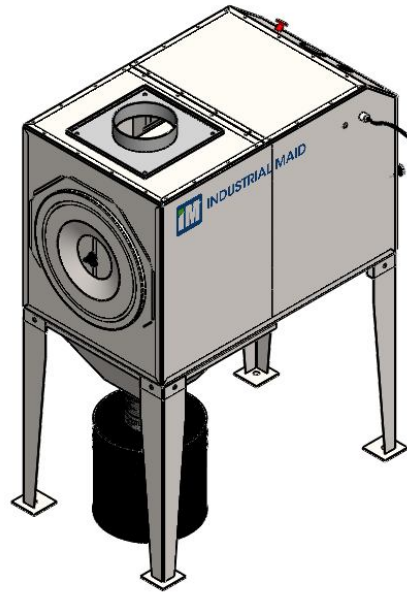
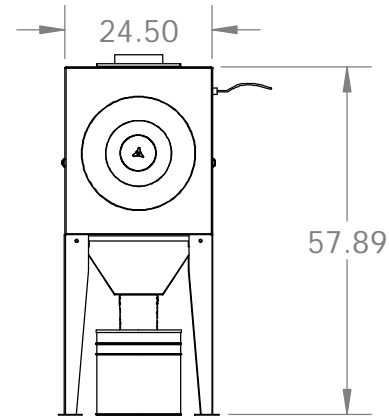
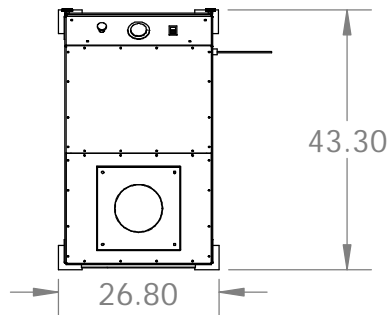
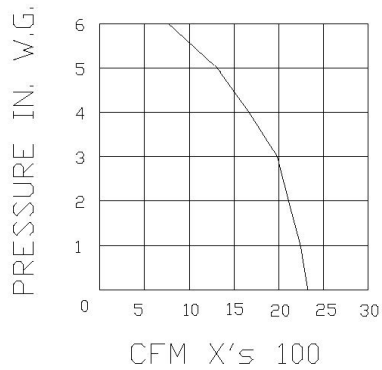
SPECIFICATIONS:

- DIMENSIONS:** 44.5" W X 26.32"D X 32" H
- MOTOR:** 1.5 HP TEFC, 115/208-230/1/60 14.2/7.7-7.1 FLA
OR
230/460/3/60 TEFC 4.0/2.0 FLA
- ELECTRICAL:** 1 PH. ON/OFF SW. & 25 FT CORD
3 PH. WIRED TO JCT. BOX
- CFM:** 1200 CFM @ 5.0" W.G
- BLOWER:** DIRECT DRIVE BI
- CONSTRUCTION:** 12 & 14 GA STEEL
GREY POWDERCOAT
4" LEG SUPPORTS
DUST DRAWER W/ CAM
RELEASE LEVER
TOOL-LESS FILTER SERVICE
INLET COLLAR 6-10" (SPECIFY)
- FILTER:** 200 SF, FR CELL/POLY, 99.5%
* OPT. FR NANO-FIBER
- WEIGHT:** 301 LBS. STD
- NOISE:** 76 DBA
- OPTIONS:** CARBON AFTER FILTER
HEPA AFTERFILTER
7, 10 & 14 FT EXTRACT. ARMS
INTERNAL/PUSH BUTTON
CLEANING
FILTER SERVICE GAUGE
DUAL EXTRACTION ARMS
LIGHT KITS
5 GALLON HOPPPER W/ STAND
AUTO PULSE CLEANING

	NAME	DATE	AZTech DFC12		
DRAWN	TAA	9/6/13			
CHECKED	JZ	9/6/13	DFC12 DUST & FUME COLLECTOR		
INDUSTRIAL MAID 315 S.12 RD. CORTLAND, NE 68331 (877) 624-3247					
 INDUSTRIAL MAID			SIZE	DWG. NO.	REV
			A	DFC12 spec	
SCALE: 1:24			WEIGHT: 300.76	SHEET 1 OF 1	

PROPRIETARY AND CONFIDENTIAL

THE INFORMATION CONTAINED IN THIS DRAWING IS THE SOLE PROPERTY OF INDUSTRIAL MAID LLC ANY REPRODUCTION IN PART OR AS A WHOLE WITHOUT THE WRITTEN PERMISSION OF INDUSTRIAL MAID LLC IS PROHIBITED.



SPECIFICATIONS:

- DIMENSIONS:** 43.3" W X 26.8" D X 60" H
- MOTOR:** 1.5 HP TEFC, 115/208-230/1/60
14.2/7.7-7.1 FLA
OR
230/460/3/60 TEFC 4.0/2.0 FLA
- ELECTRICAL:** 1 PH. ON/OFF SW. & 25 FT CORD
3 PH. WIRED TO JCT. BOX
- CFM:** 1200 CFM @ 5.0" W.G
- BLOWER:** DIRECT DRIVE BI
- CONSTRUCTION:** 12 & 14 GA STEEL
GREY POWDERCOAT
30" LEG SUPPORTS
DUST HOPPER
W/ 5 GALLON CONTAINER
TOOL-LESS FILTER SERVICE
INLET COLLAR 4-8" (SPECIFY)
- FILTER:** 200 SF, FR CELL/POLY, 99.5%
* OPT. FR NANO-FIBER
- WEIGHT:** 301 LBS. STD
- NOISE:** 72 DBA
- OPTIONS:** CARBON AFTER FILTER
HEPA AFTERFILTER
7, 10 & 14 FT EXTRACT. ARMS
INTERNAL/PUSH BUTTON
CLEANING
FILTER SERVICE GAUGE DUAL
EXTRSACTION ARMS
LIGHT KITS
5 GALLON HOPPPER W/ STAND
AUTO PULSE CLEANING

		NAME	DATE	AZTech DFC12-H10	
DRAWN	TAA	09/08/14	TITLE:		
CHECKED	JZ	09/08/14			
INDUSTRIAL MAID 315 S.12 RD. CORTLAND, NE 68331 (877) 624-3247			DFC12 DUST COLLECTOR W/ HOPPER AND STAND		
SIZE	DWG. NO.	REV			
A	DFC12-H10				
SCALE: 1:24		WEIGHT: 295.28	SHEET 1 OF 1		

PROPRIETARY AND CONFIDENTIAL

THE INFORMATION CONTAINED IN THIS DRAWING IS THE SOLE PROPERTY OF INDUSTRIAL MAID LLC ANY REPRODUCTION IN PART OR AS A WHOLE WITHOUT THE WRITTEN PERMISSION OF INDUSTRIAL MAID LLC IS PROHIBITED.

