

SHEET TITLE : **AZTech T7500**
 DRWG. NO.: **T7-081308** DRAWN BY: **TAA**
 DATE: **08/13/08** SCALE: **NTS**

SPECIFICATIONS:

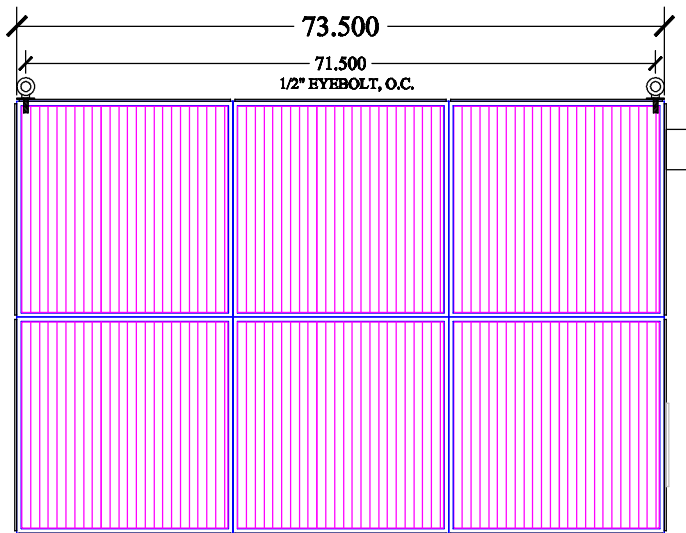
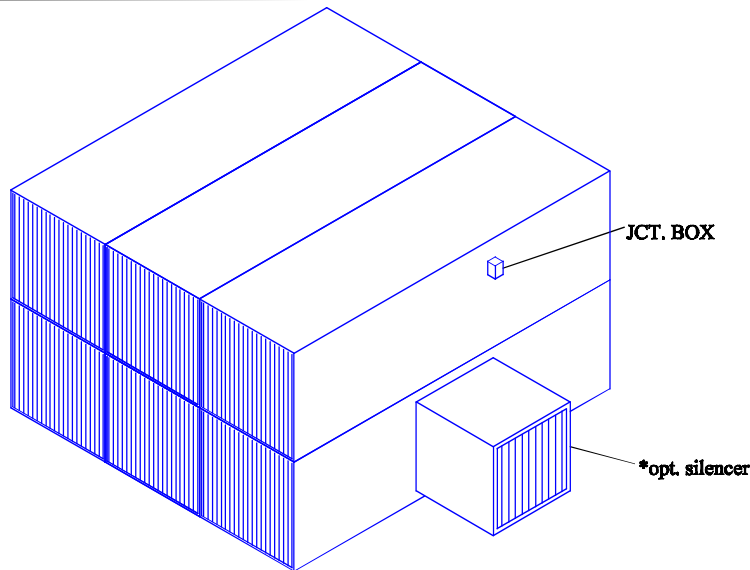
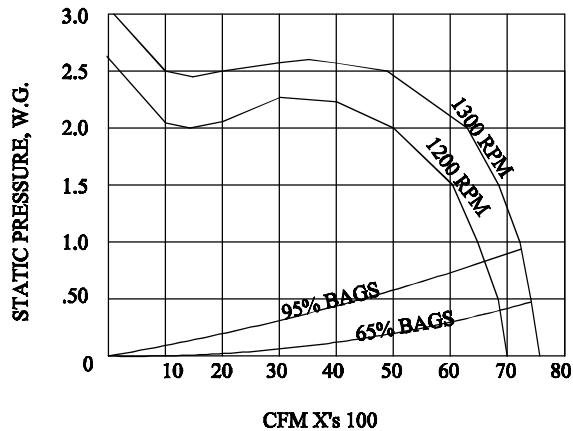
- DIMENSIONS:** 49" H X 82" W X 49"D
- MOTOR:** 5 HP 208-230/460/3/60, 14.0-12.6/6.3 FLA
- CFM:** 1200 RPM - 6,500 @ .8" W.G.
1300 RPM - 7,250 CFM @ 1.0" W.G.
- CONSTRUCTION** 12 & 14 GA POWDER COATED STEEL FRAME.
3/16 POLYETHYLENE PANELS. FULL CARBON STEEL CONSTRUCTION AVAILABLE.
4-WAY ALUMINUM EXHAUST GRILLE
- ELECTRICAL** WIRED TO JCT. BOX
14.0-12.6/6.3 AMPS
- BLOWER:** 12 X 12 FORWARD CURVED BLOWER BELT DRIVE
- FILTERS:** 4" PLEATED PREFILTER, 22.3 SF EA.
95% BAG FILTER, 81.25 SF EA.
65% BAG FILTER(OPT.), 81.25 SF EA
2" CARBON TRAY (OPT.)
- OPTIONS:** EYEBOLTS (INSTALLED)
SILENCER
MAGNAHELIC GAUGE
- WEIGHT:** 682 lbs.
- NOISE:** 75.4 dBA

DISTRIBUTED BY:

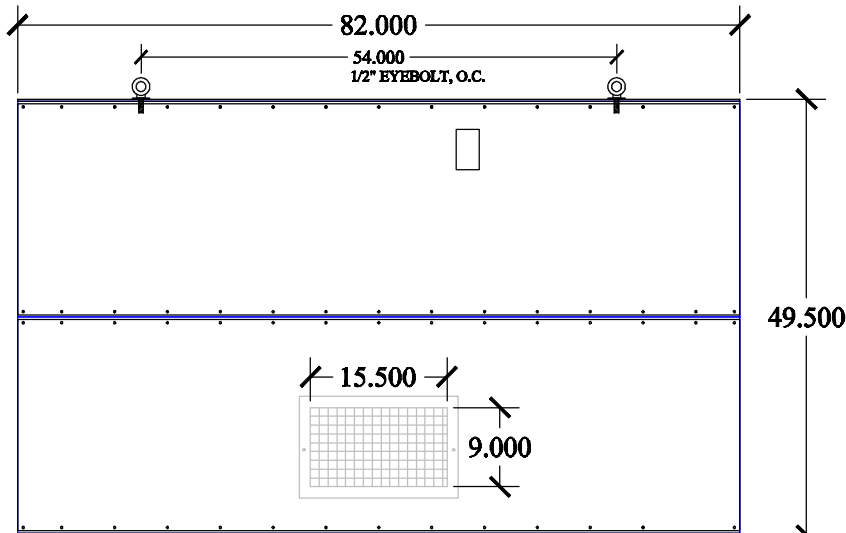
COPYRIGHT: This document and the information contained may not be reproduced or distributed without express written consent of INDUSTRIAL MAID. Unauthorized reproduction, disclosure, or manufacturing use are prohibited by copyright law.



INDUSTRIAL MAID
 INDUSTRIAL MAID LLC
 351 S. 12TH RD.
 CORTLAND, NE 68331
 Ph. (402) 798-7116
 Fax (402) 798-7117
 www.industrial-maid.com



SIDE VIEW



FRONT VIEW

SHEET TITLE : **AZTech T7500x6**
 DRWG. NO. **T76-081308** | DRAWN BY: **TAA**
 DATE: **08/13/08** | SCALE: **NTS**

SPECIFICATIONS:

- DIMENSIONS:** 49" H X 82" W X 74"D
- MOTOR:** 5 HP 208-230/460/3/60
14.0-12.6/6.3 AMPS
- CFM:** 1200 RPM - 6,500 @ .8" W.G.
1300 RPM - 7,250 CFM @ 1.0" W.G.
- CONSTRUCTION:** 12 & 14 GA POWDER COATED STEEL FRAME.
3/16 POLYETHYLENE PANELS. FULL CARBON STEEL CONSTRUCTION AVAILABLE.
4-WAY ALUMINUM EXHAUST GRILLE
- ELECTRICAL:** WIRED TO JCT. BOX
- BLOWER:** 12 X 12 FORWARD CURVED BLOWER BELT DRIVE
- FILTERS:** 4" PLEATED PREFILTER, 22.3 SF EA.
95% BAG FILTER, 81.25 SF EA.
65% BAG FILTER(OPT.), 81.25 SF EA
2" CARBON TRAY (OPT.)
- OPTIONS:** EYEBOLTS (INSTALLED)
SILENCER
MAGNAHELIC GAUGE
- WEIGHT:** 925 lbs.
- NOISE:** 75.4 dBA

DISTRIBUTED BY:

COPYRIGHT: This document and the information contained may not be reproduced or distributed without express written consent of INDUSTRIAL MAID. Unauthorized reproduction, disclosure, or manufacturing use are prohibited by copyright law.



INDUSTRIAL MAID
 INDUSTRIAL MAID LLC
 351 S. 12TH RD.
 CORTLAND, NE 68331
 Ph. (402) 798-7116
 Fax (402) 798-7117
 www.industrial-maid.com