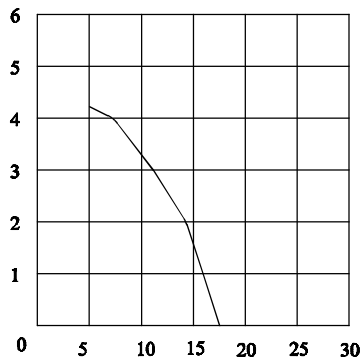
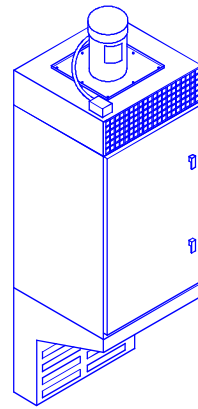


PRESSURE IN. W.G.



CFM X's 100



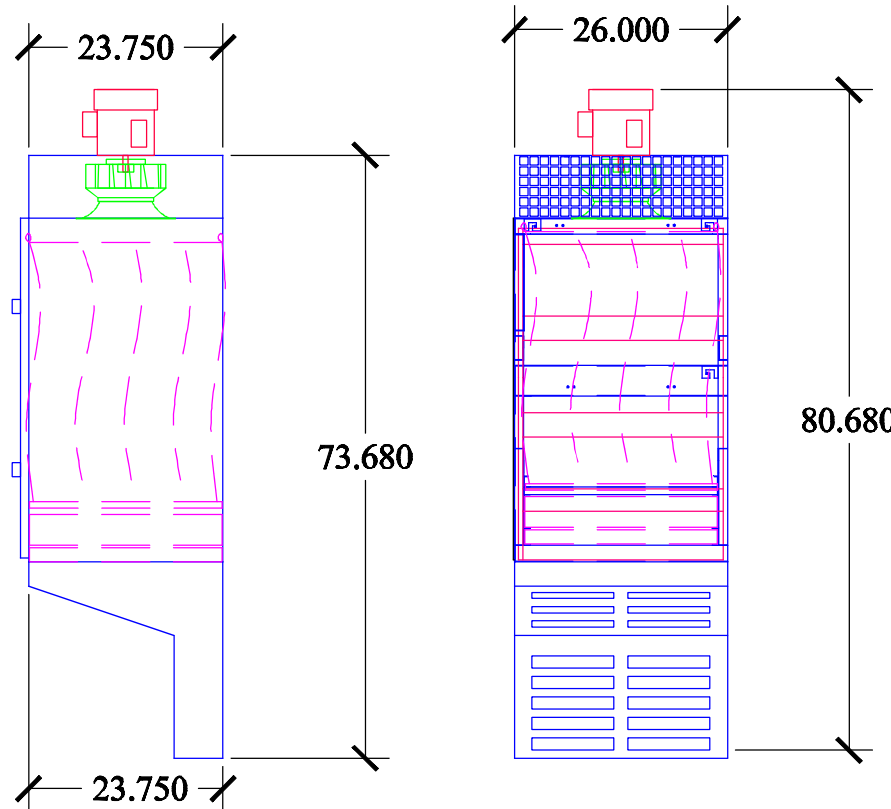
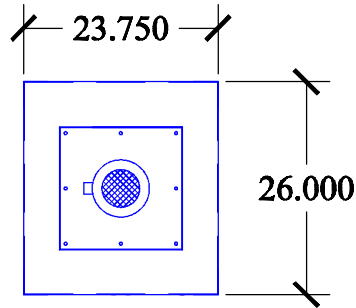
SHEET TITLE : AZTech RH36V-1BD

DRWG. NO. RH36V1BD34-112906 DRAWN BY: TAA

DATE: 11/29/06 SCALE: NTS

### SPECIFICATIONS:

- DIMENSIONS:** 80.5"H X 26" W X 25" D
- MOTOR:** 3/4 HP 115/1/60 TEFC, 10.6 FLA
- CFM:** 1,600 CFM @ 1.0" W.G.
- ELECTRICAL:** WIRED TO JUNCTION BOX
- BLOWER:** DIRECT DRIVE BI WHEEL
- CONSTRUCTION:** 12 & 14 GA POWDER COATED STEEL FRAME, 16 GA STEEL DOOR, 3/16 POLYETHYLENE PANELS, FULL CARBON STEEL CONSTRUCTION AVAILABLE, 16 GA BD HOOD CAM DOOR AND FILTER LATCHES
- STD. FILTERS:** (1) 2" BAFFLE  
(1) 4" PLEAT  
(1) 95% MAIN BAG, 108 SF EACH
- OPTIONAL FILTERS:** 2" MIST ELIMINATOR  
26 LB CARBON AFTERFILTER  
2" POLY PREFILTER  
4" PLEATED PREFILTER  
2" ALUMINUM MESH PREFILTER  
99.97% HEPA AFTERFILTER
- OPTIONS:** EYEBOLTS (INSTALLED)  
ACOUSTIC LINING  
MAGNAHELIC PRESSURE GAUGE  
MANOMETER  
WALL BRACKET  
FIRERASER® FIRE SUPPRESSION  
THERMAL SENSOR/ POWER CUT OFF
- WEIGHT:** 398 LBS.
- NOISE:** 69.5 dBA



DISTRIBUTED BY:

**COPYRIGHT:** This document and the information contained may not be reproduced or distributed without express written consent of INDUSTRIAL MAID. Unauthorized reproduction, disclosure, or manufacturing use are prohibited by copyright law.



## INDUSTRIAL MAID

MFG. BY:

**INDUSTRIAL MAID LLC**  
 351 S. 12TH RD.  
 CORTLAND, NE 68331  
 Ph. (402) 798-7116  
 Fax (402) 798-7117  
 www.industrial-maid.com