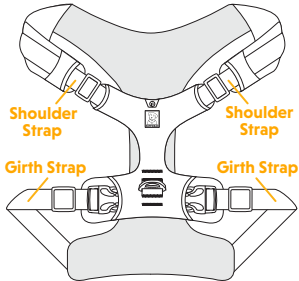


HOW TO ADJUST THE FRONT RANGE™ HARNESS



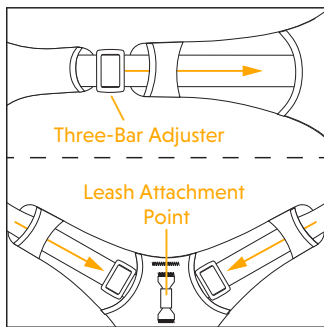
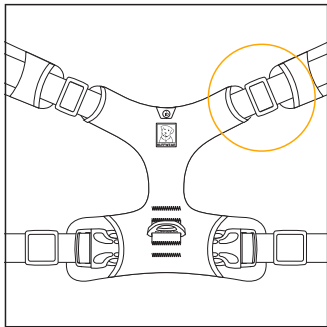
Before heading out on your first adventure with the Front Range Harness, we recommend that you properly adjust the harness so that your dog is comfortable and ready to explore.

As described below, we find it easier to fully EXTEND all of the straps first, and then TIGHTEN them to the appropriate size.

1 - Extend Straps

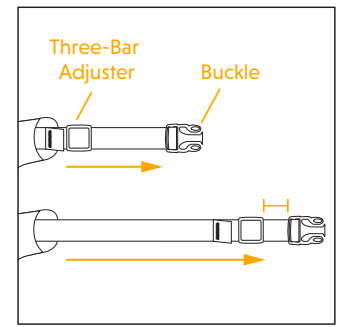
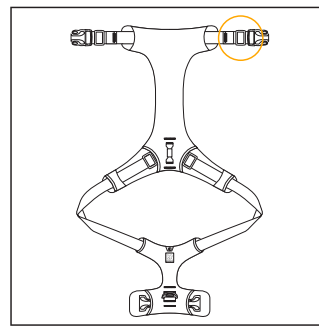
Shoulder Straps

- Slide the Three-Bar Adjuster toward the opposite end of the webbing, bringing it closer to the Leash Attachment Point on the chest panel.
- Repeat on second strap.



Girth Straps

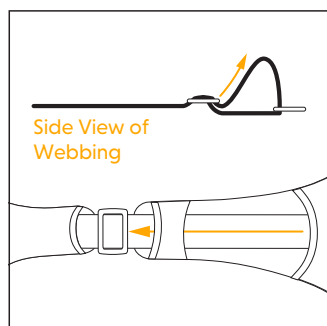
- Unbuckle the Girth Straps.
- Slide the Three-Bar Adjuster all the way toward the buckle, leaving about an inch of slack.
- Repeat on second strap.



2 - Tighten Straps

Shoulder Straps

- Pull the upper webbing slack through the Three-Bar Adjuster to tighten the strap as needed.
- Repeat on second strap.



Girth Straps

- Pull the lower webbing slack through the Three-Bar Adjuster to tighten the strap as needed.
- Pull the Three-Bar Adjuster until tightened.
- Repeat on second strap.

