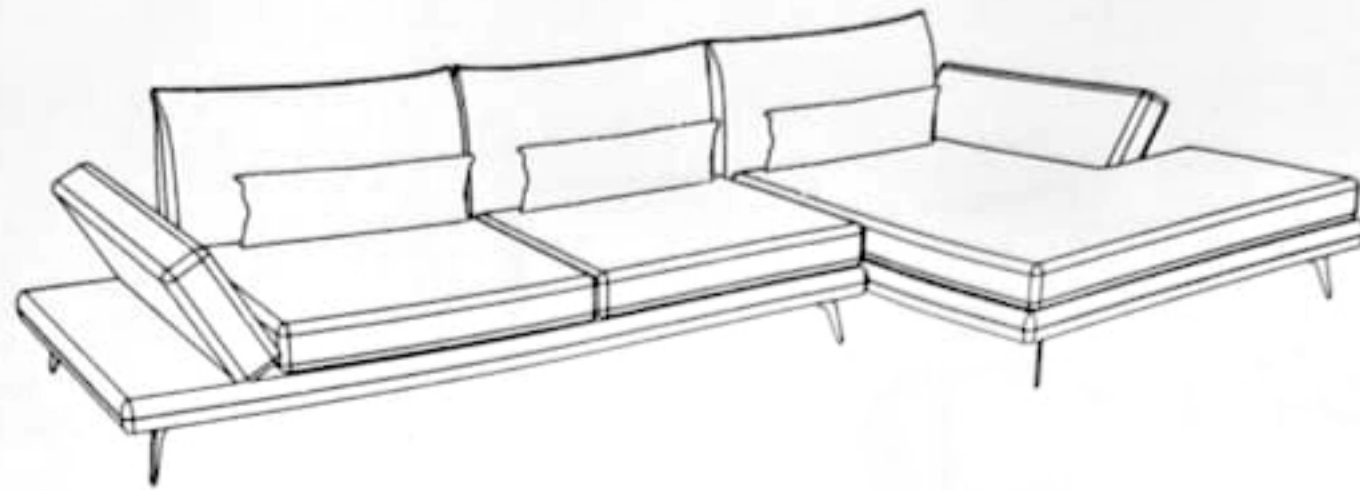
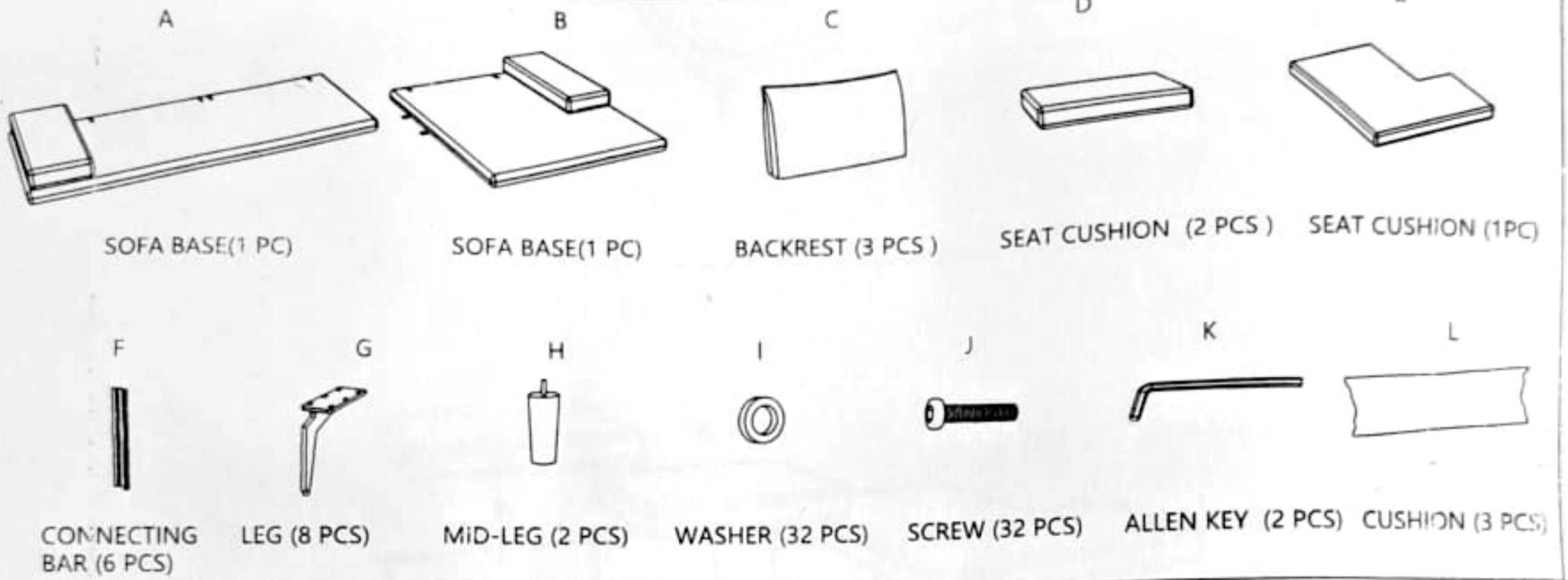


ASSEMBLY INSTRUCTION

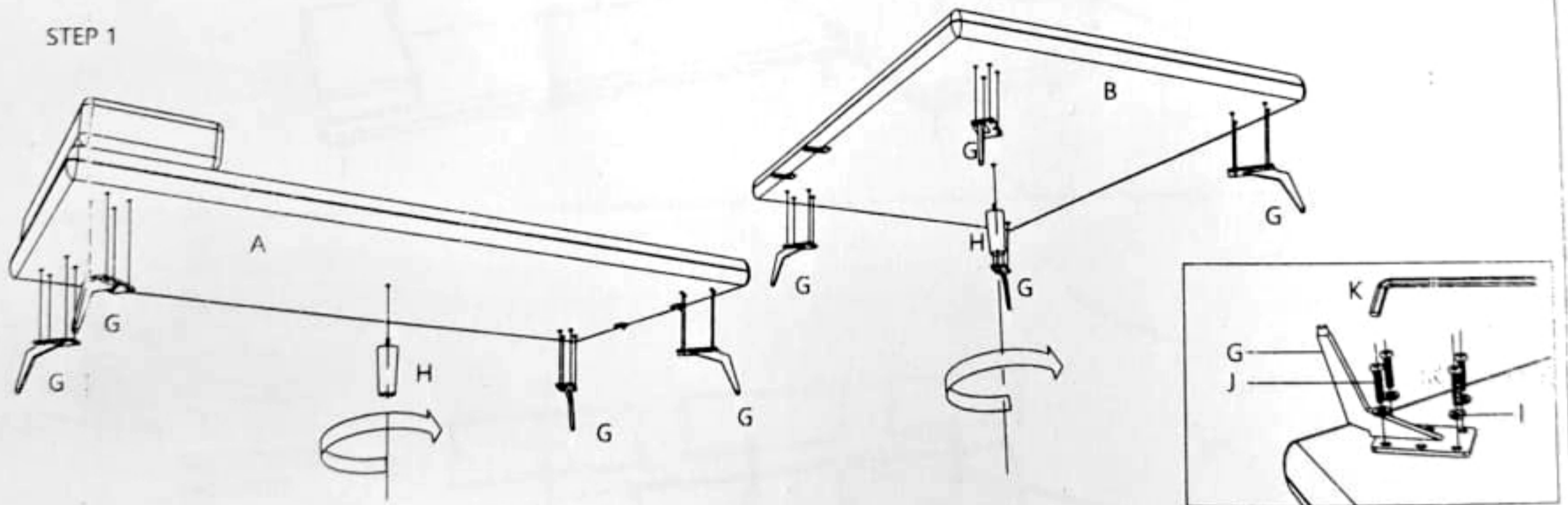


PARTS LIST

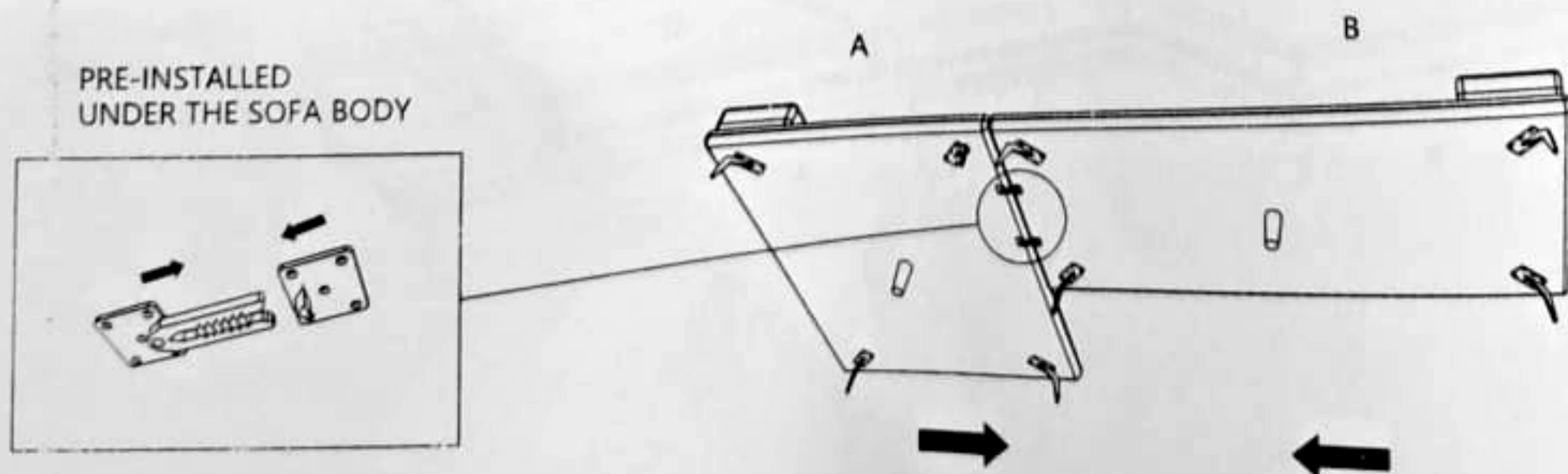


ASSEMBLY

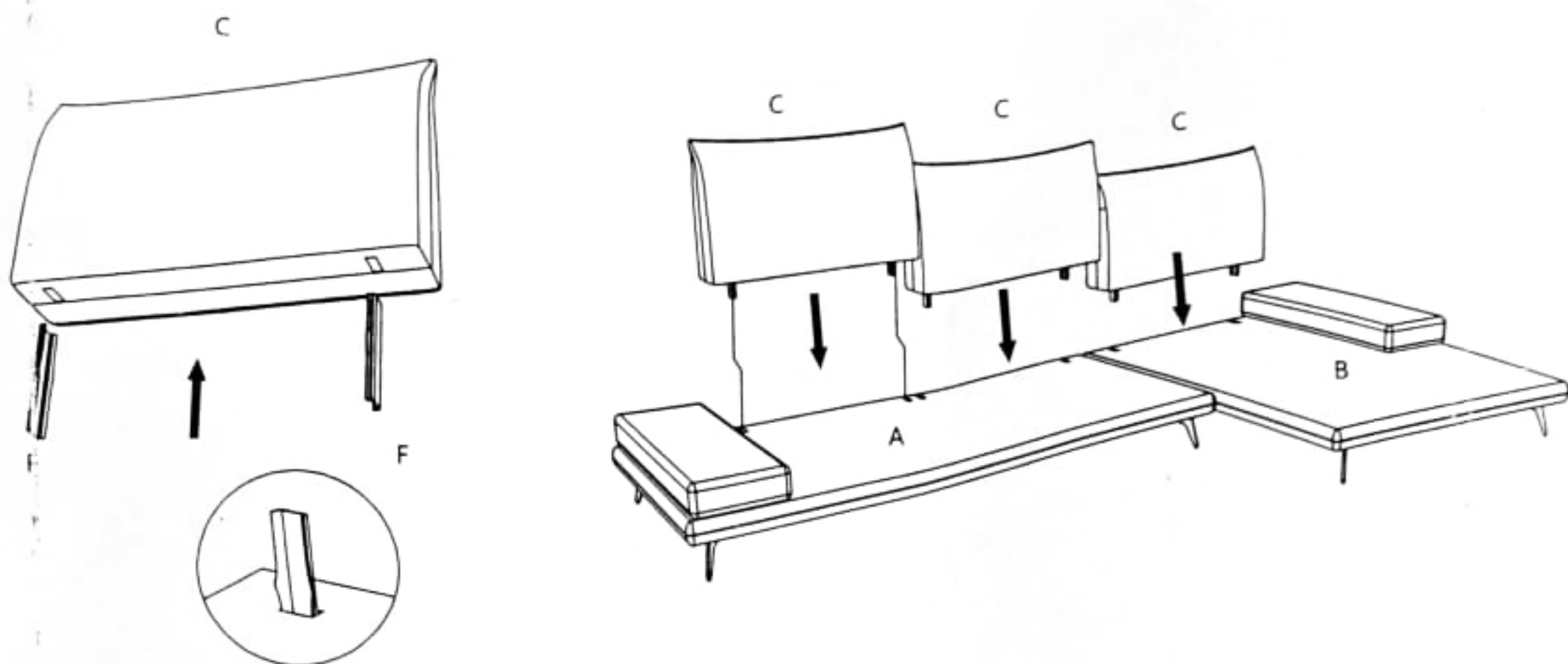
STEP 1



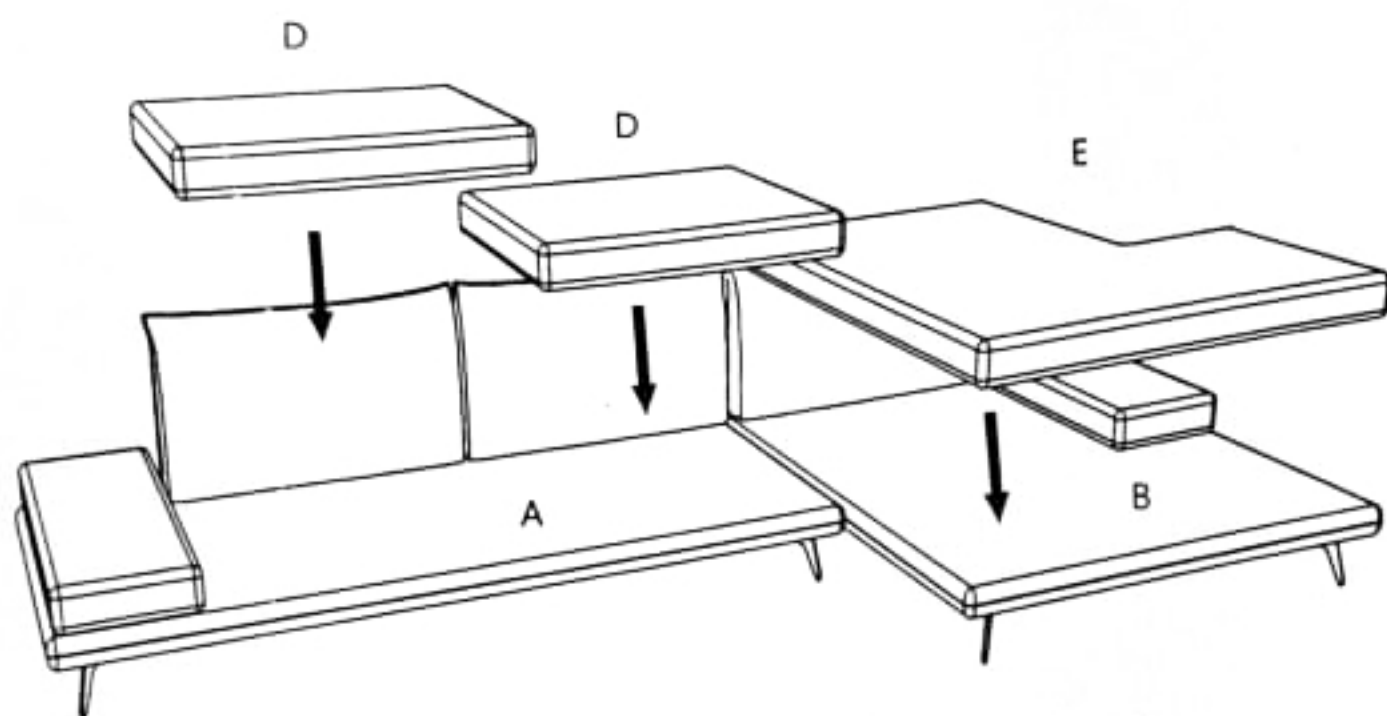
STEP 2



STEP 3



STEP 4



STEP 5

