

# ASSEMBLY INSTRUCTION

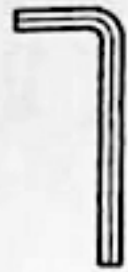
## PARTS AND HARDWARE



Leg  
8x

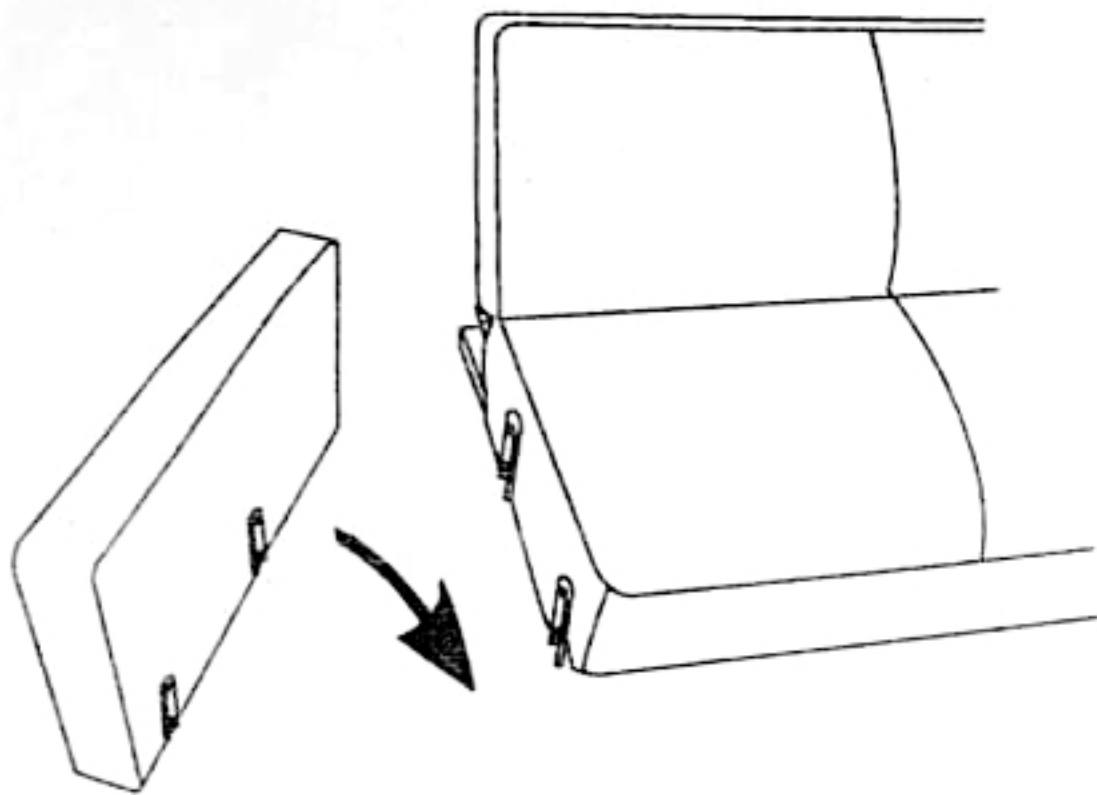


Bolt  
8x

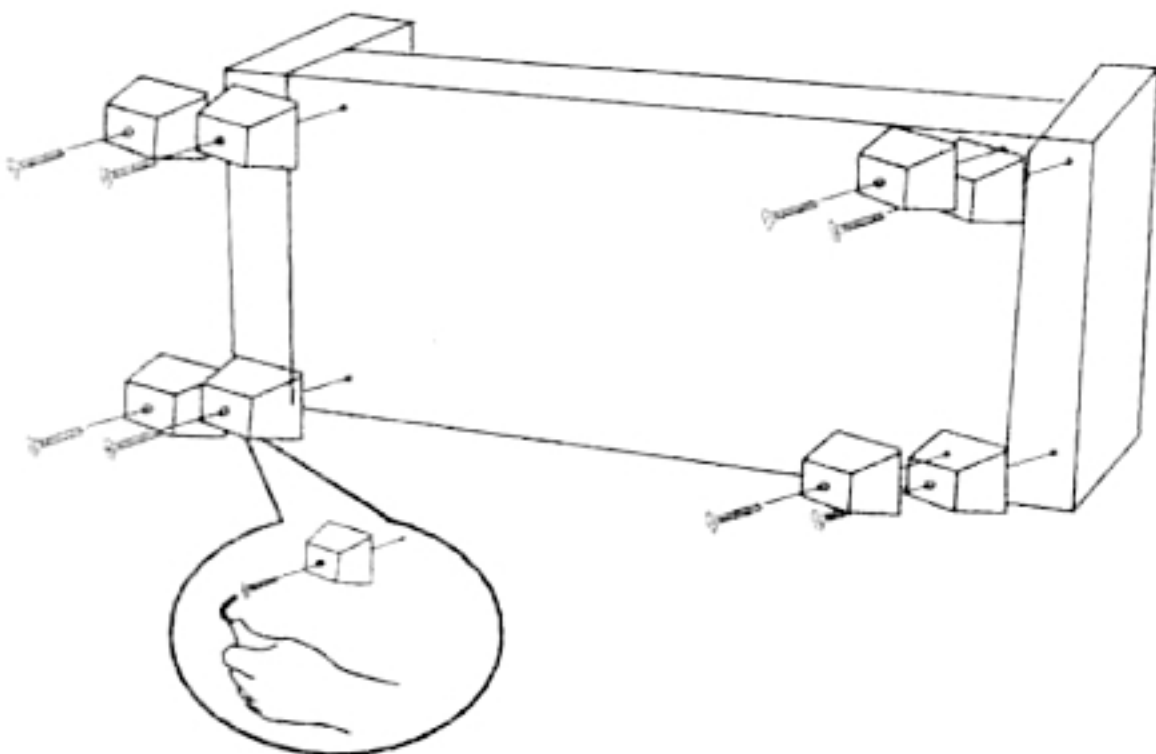


Allen Key  
1x

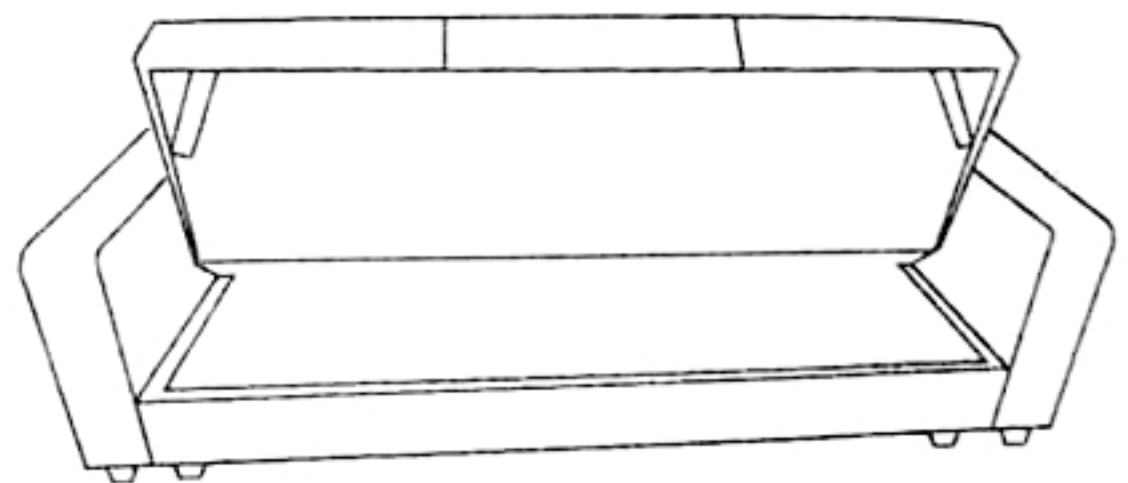
## DIAGRAM 1



## DIAGRAM 2



## DIAGRAM 3



# ASSEMBLY INSTRUCTION

DIAGRAM 4

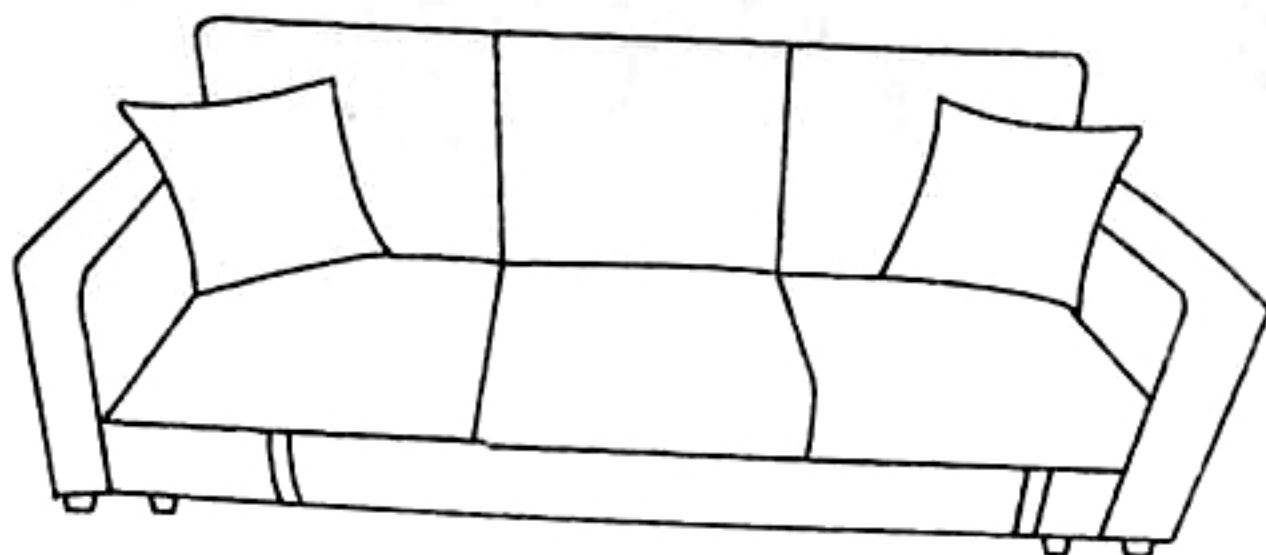


DIAGRAM 5

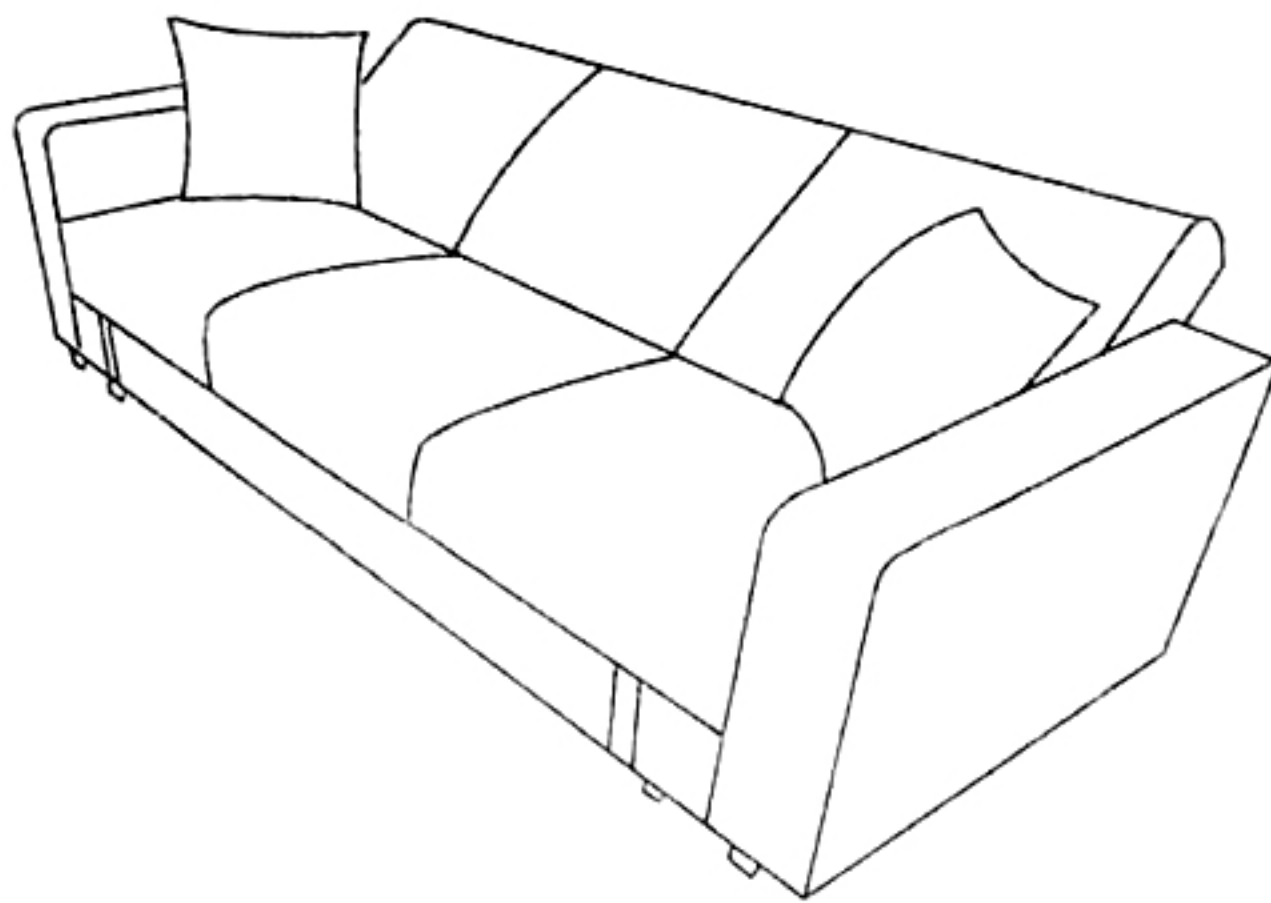


DIAGRAM 6

