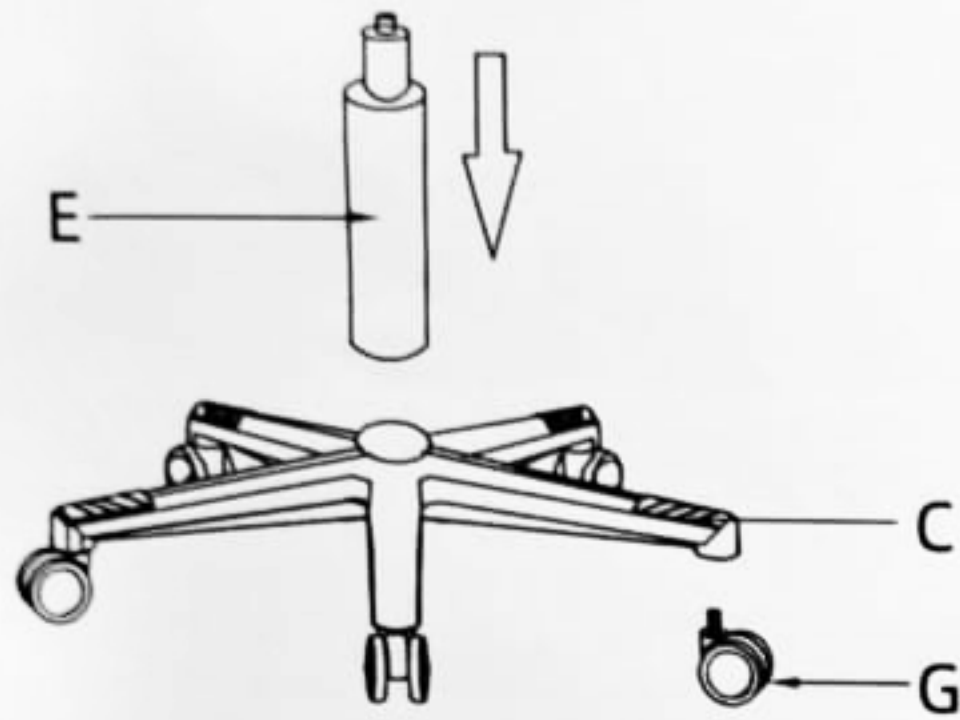
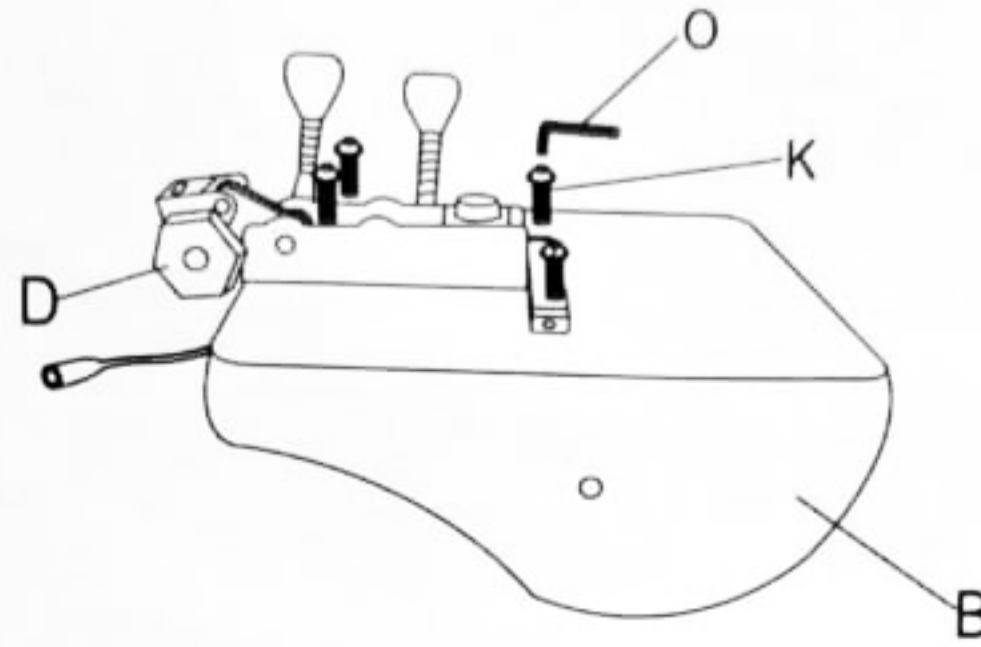


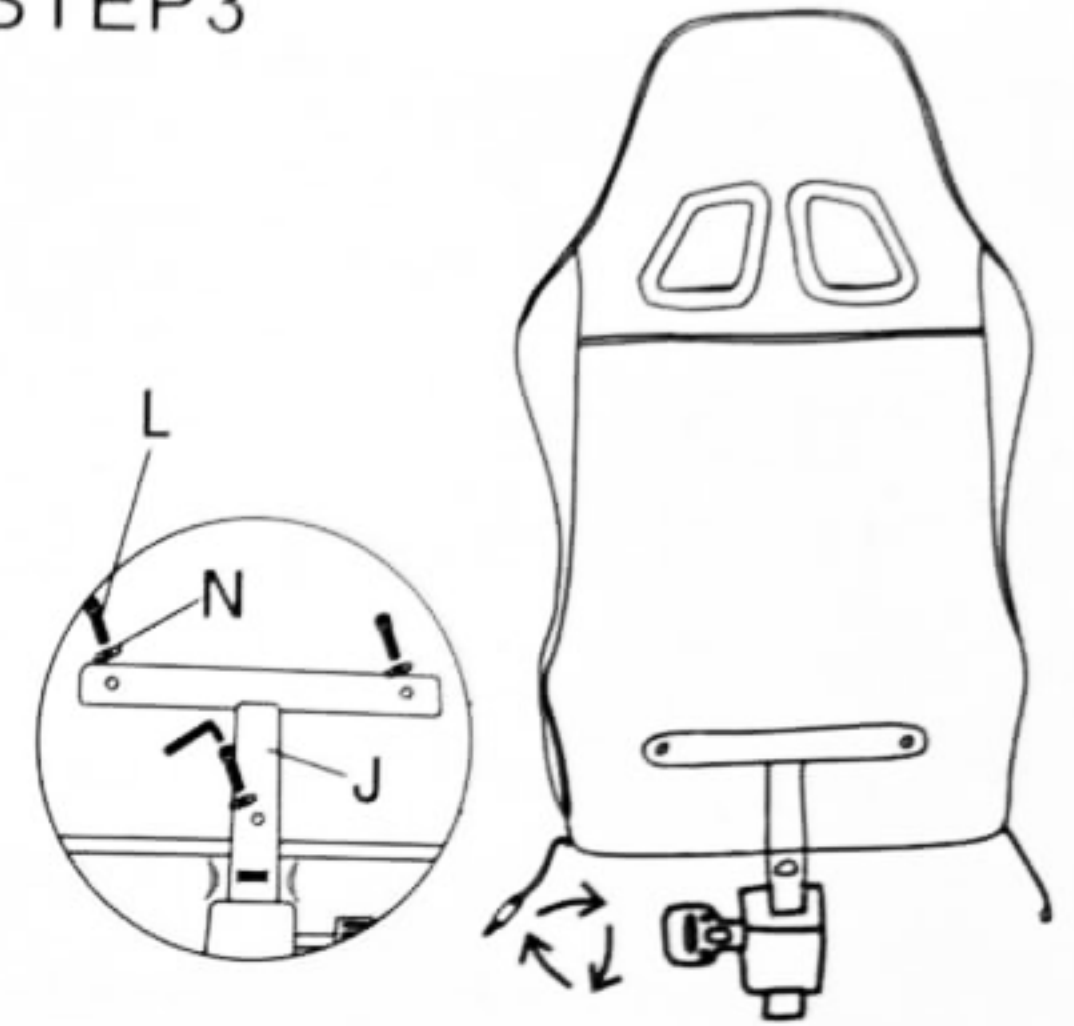
STEP1



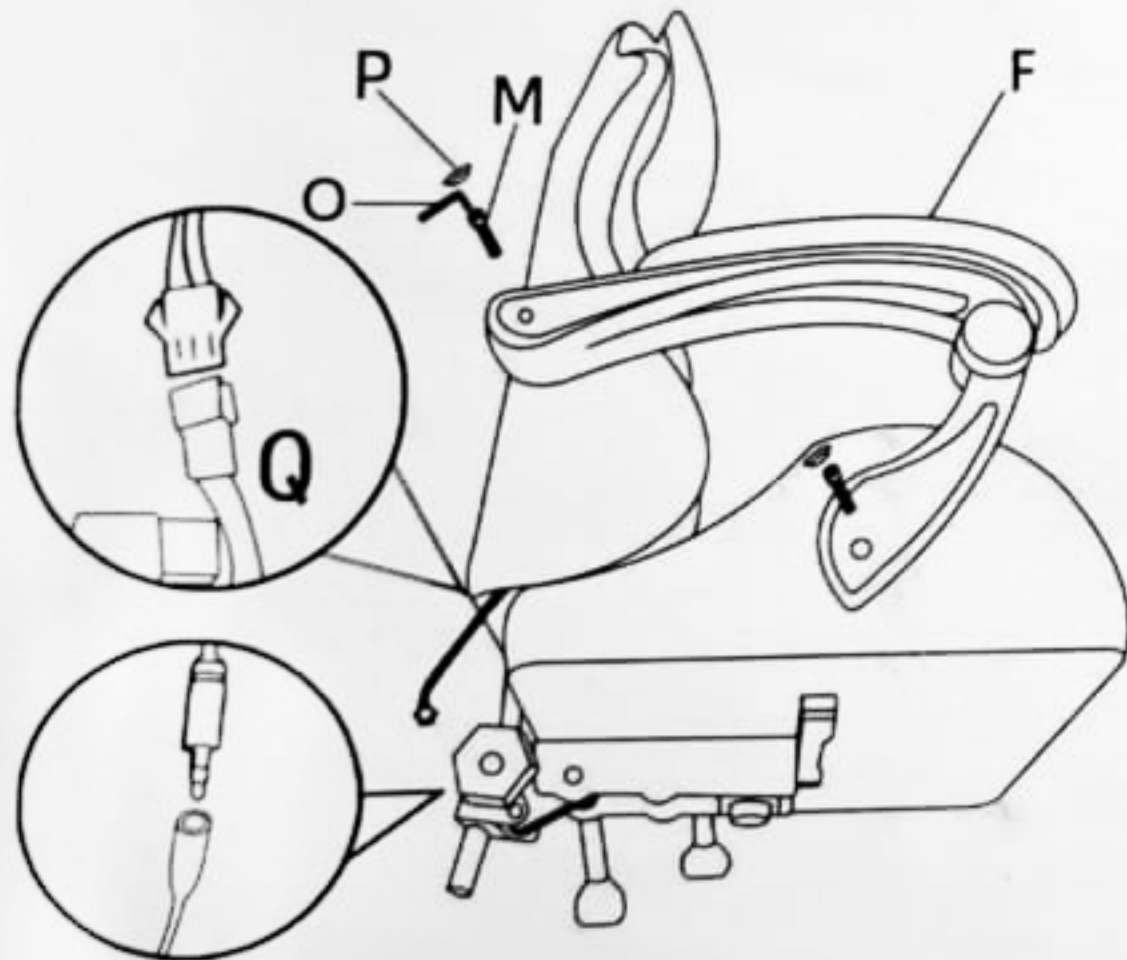
STEP2



STEP3



STEP4



STEP5



A 	B 	C 	D 	E 	F 	G 	H 	I 	J 	K 	L 	M 	N
X1	X1	X1	X1	X1	X2	X5	X1	X1	X1	6*20 X4	6*35 X3	8*40 X4	X3
										O 	P 	Q 	R
										X1	X4	X1	X1