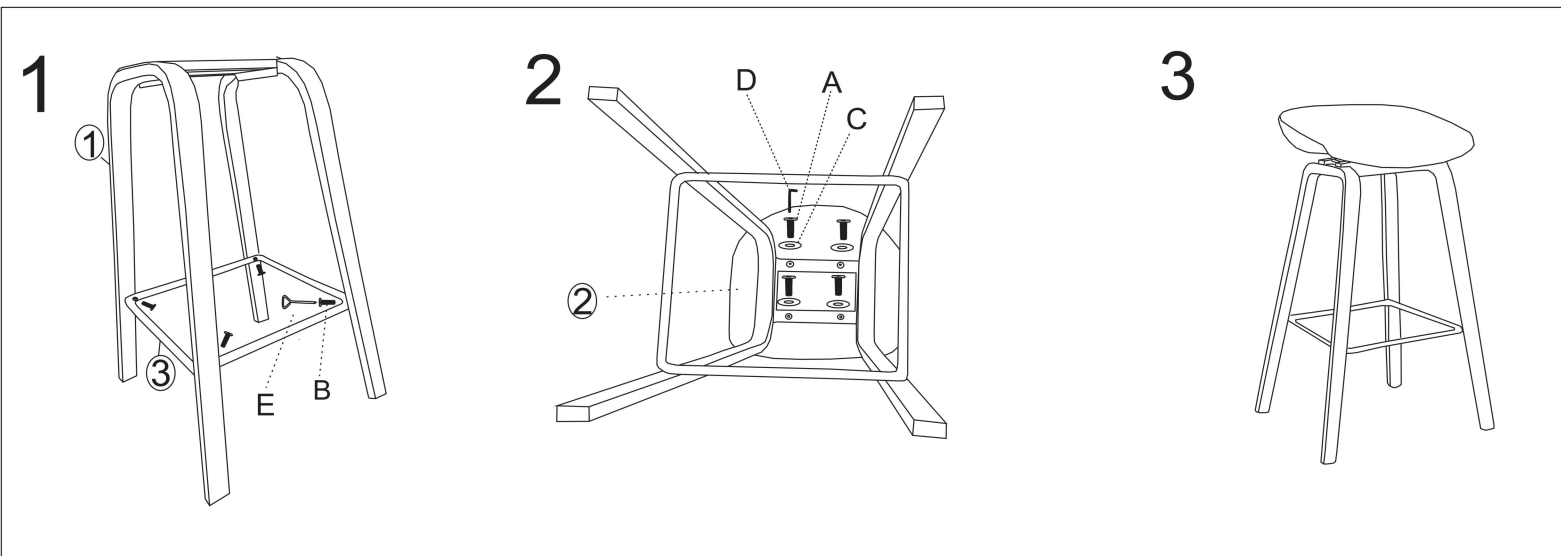


ASSEMBLY INSTRUCTION



①*1	②*1	③*1

 M6*40mm	 M4*20mm			
A*4	B*4	C*4	D*1	E*1