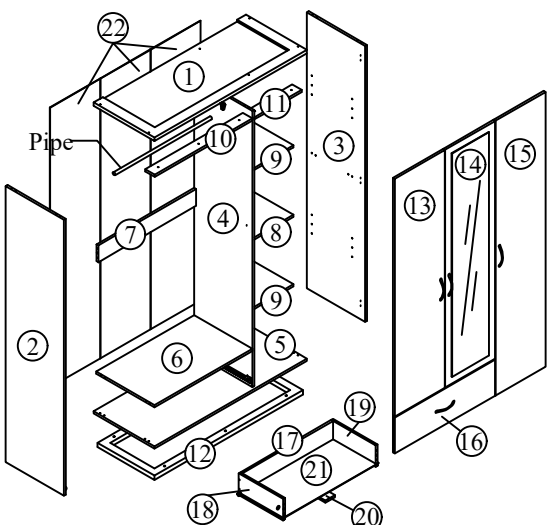
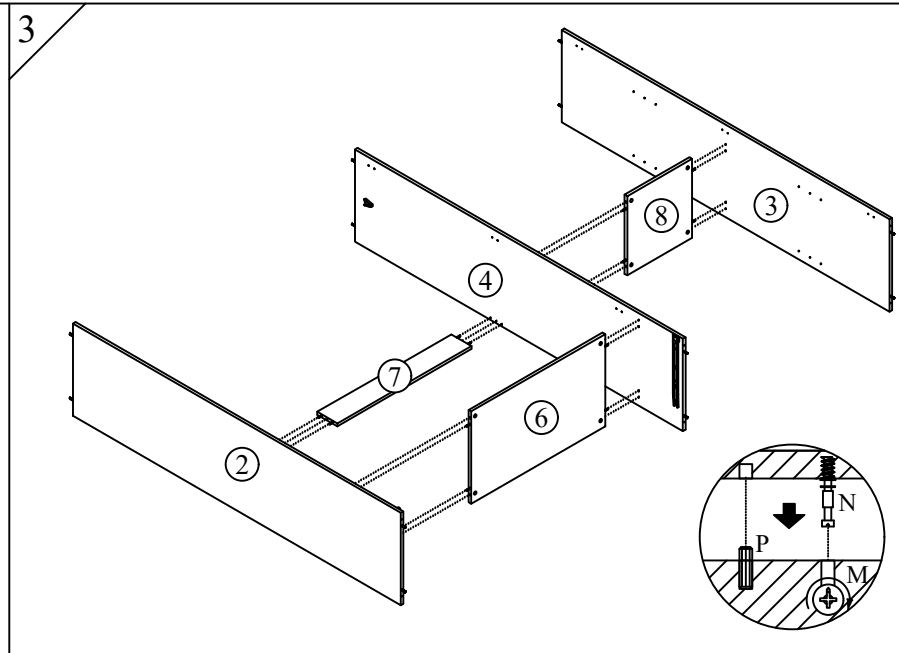
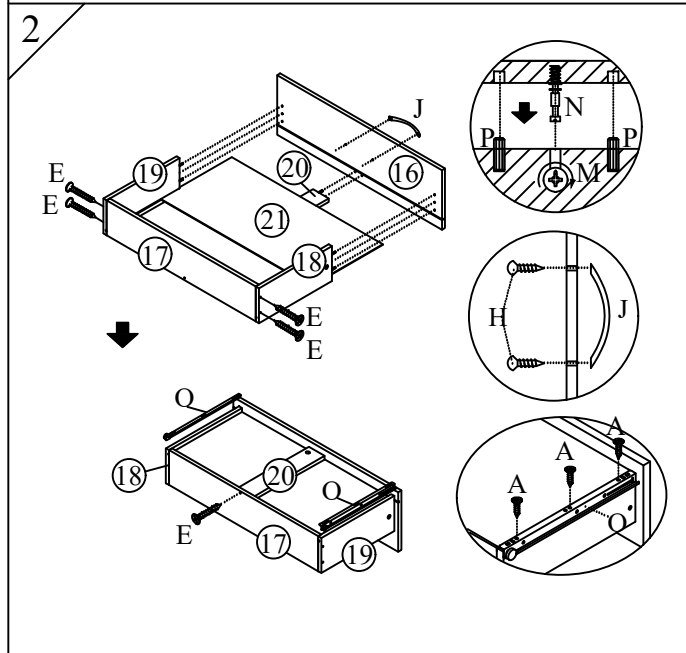
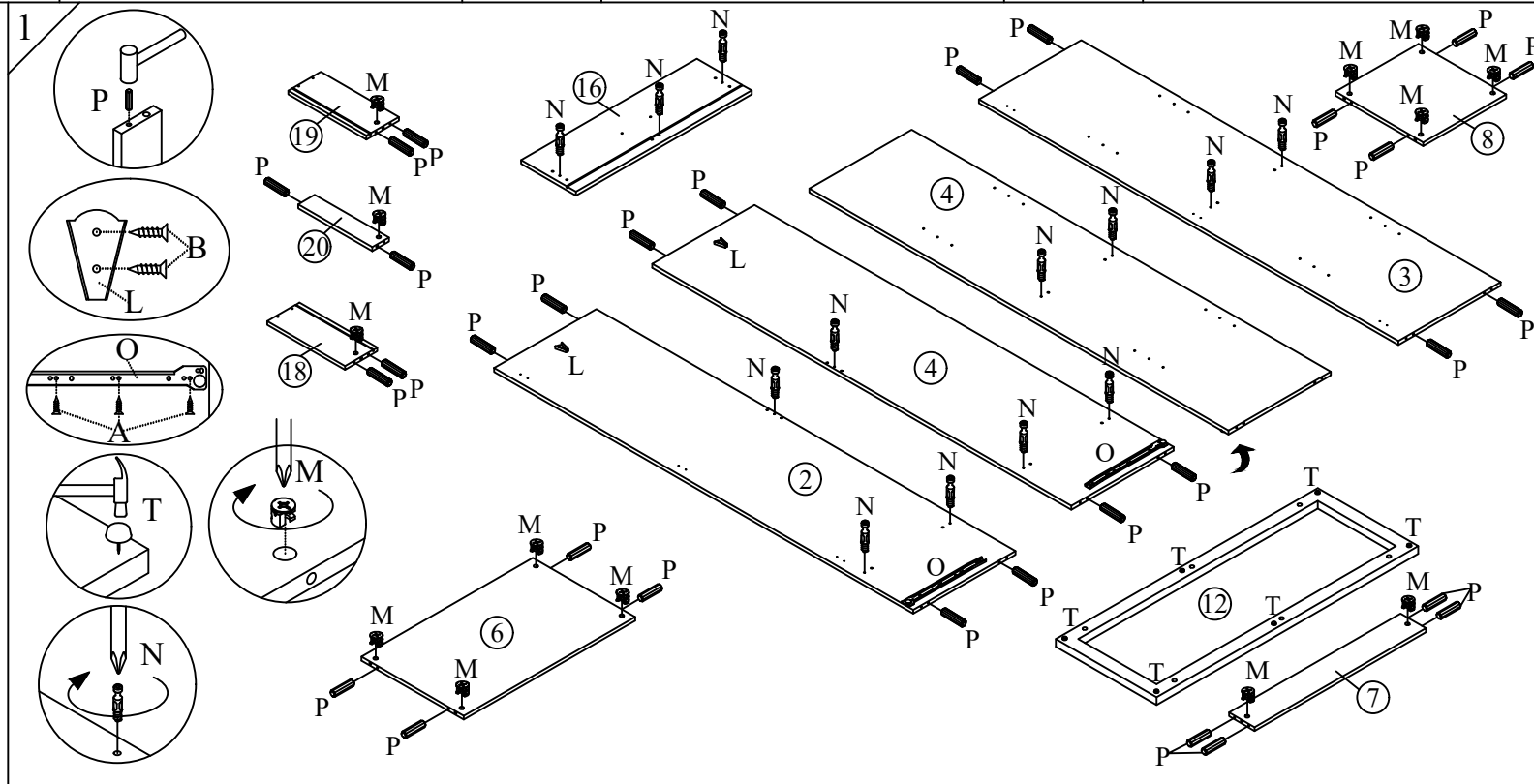


Model	DN WAR 310 234-M	Issue Date	13 - 6 - 2023	Draw By	Liang	Approved By / Date	
Form No	P13-RD-05-Rev01	Revision	Remar 1.0	Checked By	YN NG	Sheet	01 / 02
Description	Assembly Instructions						



A	CSK SCREW M3.5 x 12 mm	12
B	CSK SCREW M3.5 x 16 mm	40
C	CSK SCREW M4 x 25 mm	5
D	CSK SCREW M4 x 45 mm	7
E	CSK SCREW M4 x 38 mm	5
F	CSK SCREW M4 x 65 mm	5
G	JCBC SCREW M6 x 40 mm	6
H	T/MS SCREW M4 x 18 mm	8
I	METAL SHELF SUPPORT	8
J	HANDLE 205 - 128 METAL	4
K	HINGES 2/8"	3
L	V - BRACKET	2
M	CAM NUT 15 mm	13
N	CAM BOLT	13
O	METAL RUNNER 14"	1
P	WOOD DOWEL M6 x 25 mm	30
Q	PIPE 763 mm	1
R	NAIL	51
S	ALLEN KEY	1
T	PVC NAIL 5/8"	6
U	HINGES 95 A	6
V	STICKER 20mm	13
W	ANTI TIP STRAP	2
X	WASHER M6	2
Y	CSK SCREW M4 x 20mm	2



Model	DN WAR 310 234-M	Issue Date	13 - 6 - 2023	Draw By	Liang	Approved By / Date	
Form No	P13-RD-05-Rev01	Revision	Remar 1.0	Checked By	YN NG	Sheet	02 / 02
Description	Assembly Instructions						

