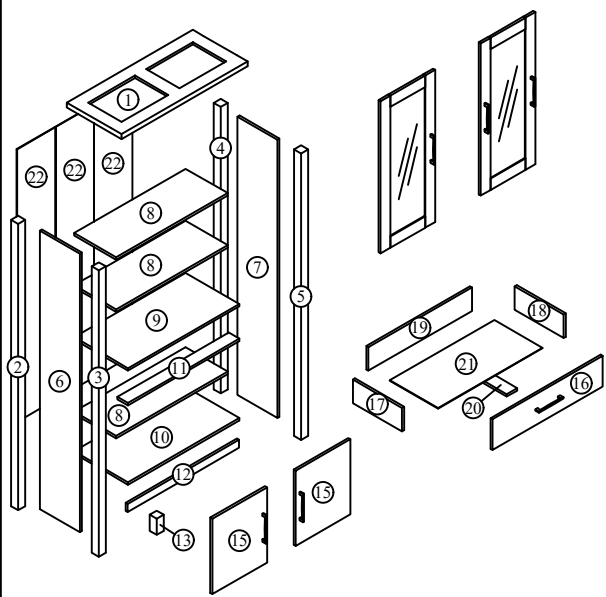
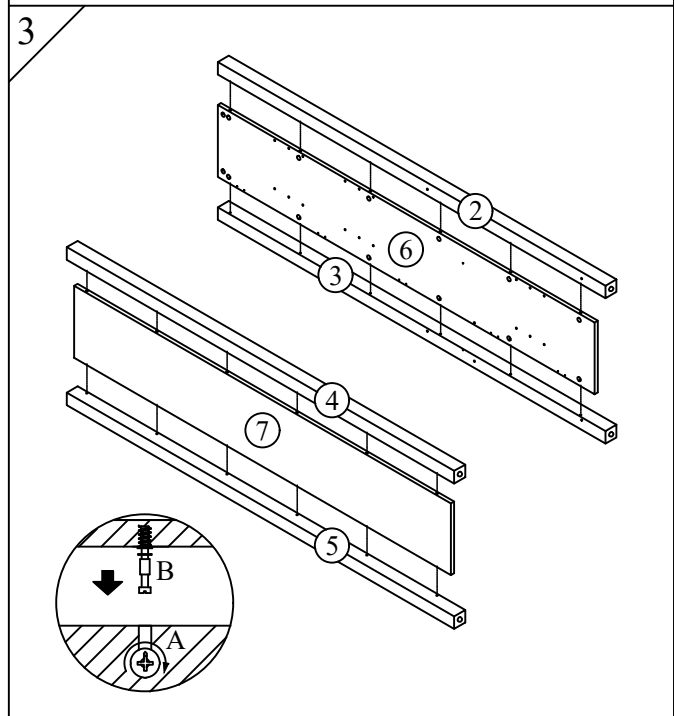
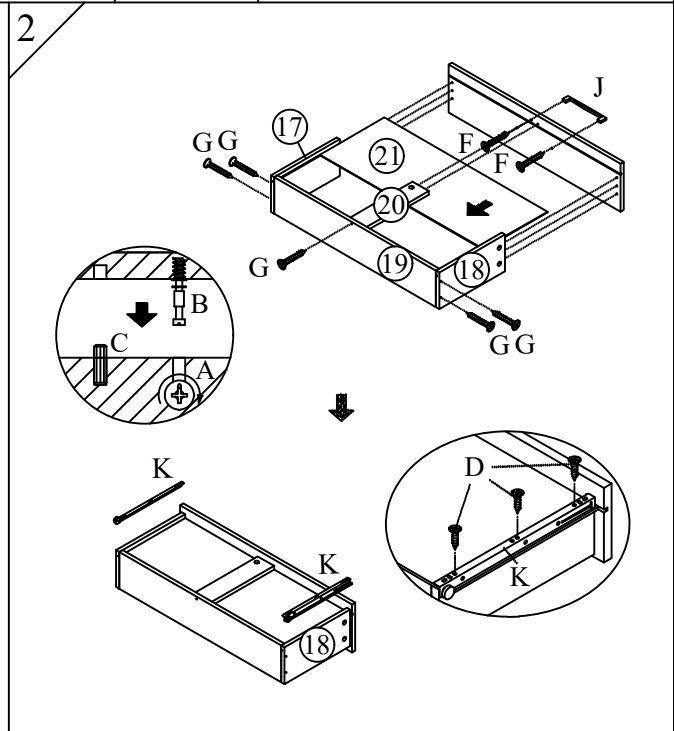
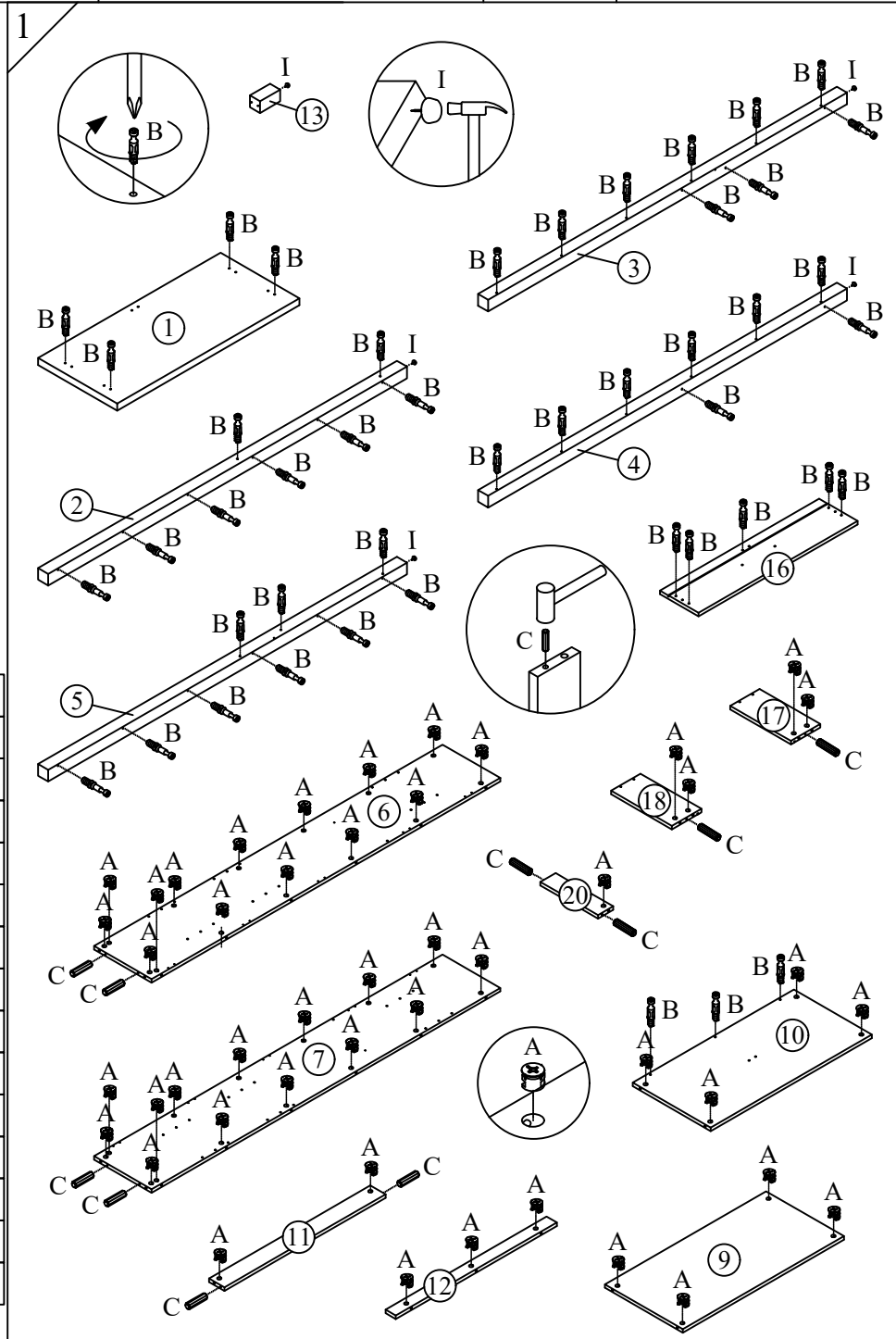


Model	DN HAC 170 125	Issue Date	28 - 02 - 2023	Draw By	ZB CHNG	Approved By / Date	
Form No	P13-RD-05-Rev01	Revision	HAC 1.0	Checked By	YN NG	Sheet	01 / 02
Description	Assembly Instructions						



A		CAM NUT 15mm	46
B		CAM BOLT	46
C		WOOD DOWEL M6 x 25mm	10
D		CSK SCREW M3.5 x 12 mm	12
E		CSK SCREW M3.5 x 16 mm	63
F		CSK SCREW M4 x 25 mm	10
G		CSK SCREW M4 x 38 mm	5
H		CSK SCREW M4 x 45 mm	2
I		PVC NAIL 5/8"	5
J		HANDLE AC 81 - 160	5
K		METAL RUNNER 12" (SJ)	1
L		PVC DOOR STOPPER	3
M		METAL SHELF SUPPORT	12
N		NAIL	35
O		HINGES 7/8" (4 HOLES)	10



Model	DN HAC 170 125	Issue Date	28 - 02 - 2023	Draw By	ZB CHNG	Approved By / Date	
Form No	P13-RD-05-Rev01	Revision	HAC 1.0	Checked By	YN NG	Sheet	02 / 02
Description	Assembly Instructions						

