

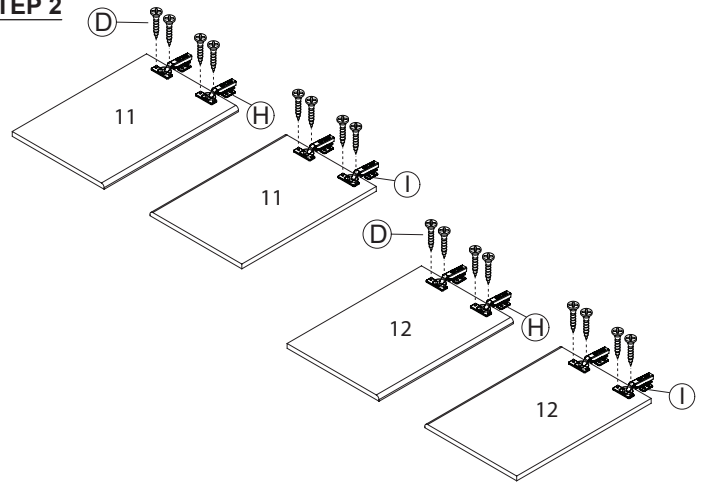
MODEL NO: ALMA BAJO

ACCESSORIES		QTY
(A) DOWEL Ø8 X 30mm		24 pcs
(B) CAM BOLT		15 set
(C) CAM NUT		15 set
(D) C/B SCREW M3.5 X 16mm		72 pcs
(E) JCBCW M6 X 40mm		10 pcs
(F) SINGLE PLASTIC CAP		12 pcs
(G) PVC LEG AC 80		7 pcs
(H) HINGES 7/8"		4 set
(I) HINGES 2/8"		4 pcs
(J) SHELF SUPPORT		8 pcs
(K) ALLEN KEY M4		1 pcs

CAUTION

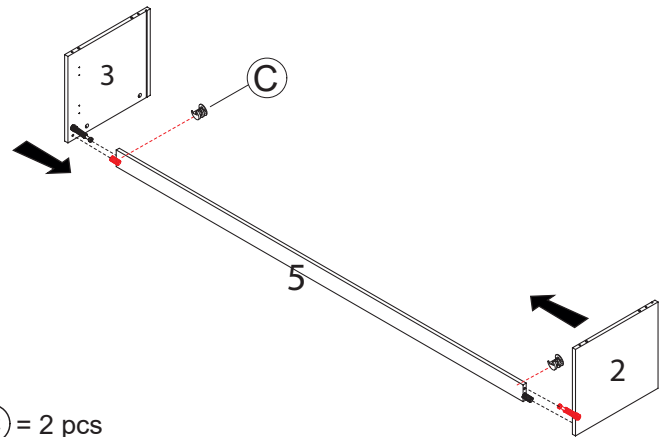
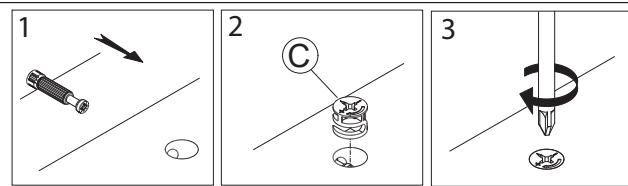
MATERIAL USE-LAMINATED PARTICLE BOARD AND FRAME *TO USE SOFT, DRY, CLOTH *DO NOT USE DETERGENT OR CHEMICAL *AVOID CONTACT WITH WATER AND DIRECT SUNLIGHT *TO BE ASSEMBLED ON A SOFT, DRY, CLEAN AND SMOOTH SURFACE.

STEP 2



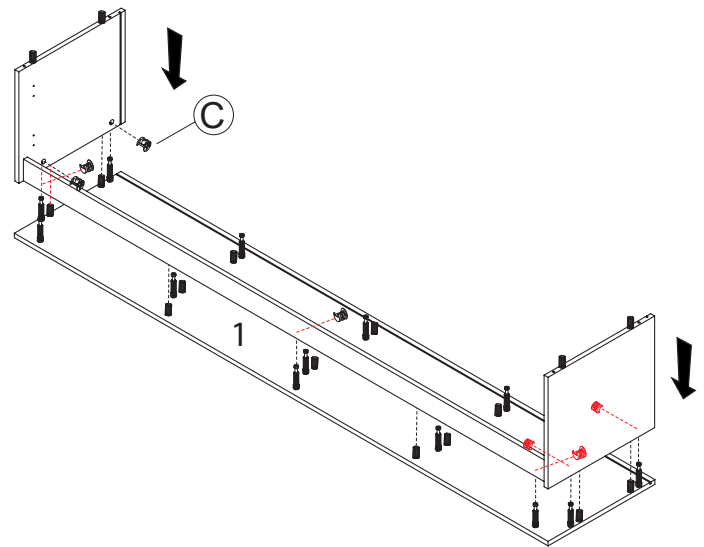
(D) = 16 pcs (H) = 4 pcs (I) = 4 pcs

STEP 3

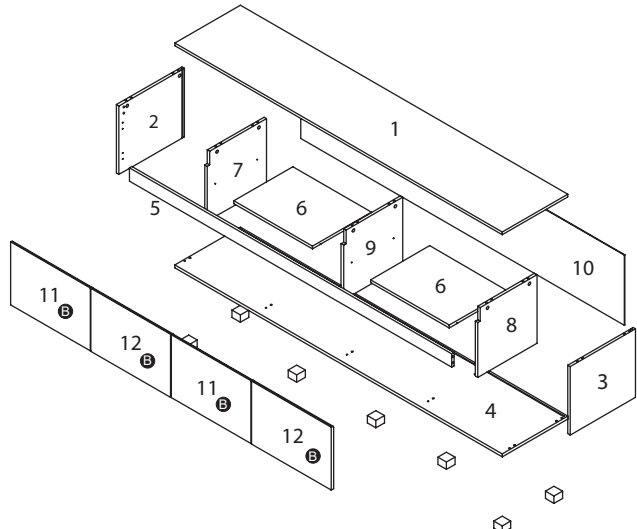


(C) = 2 pcs

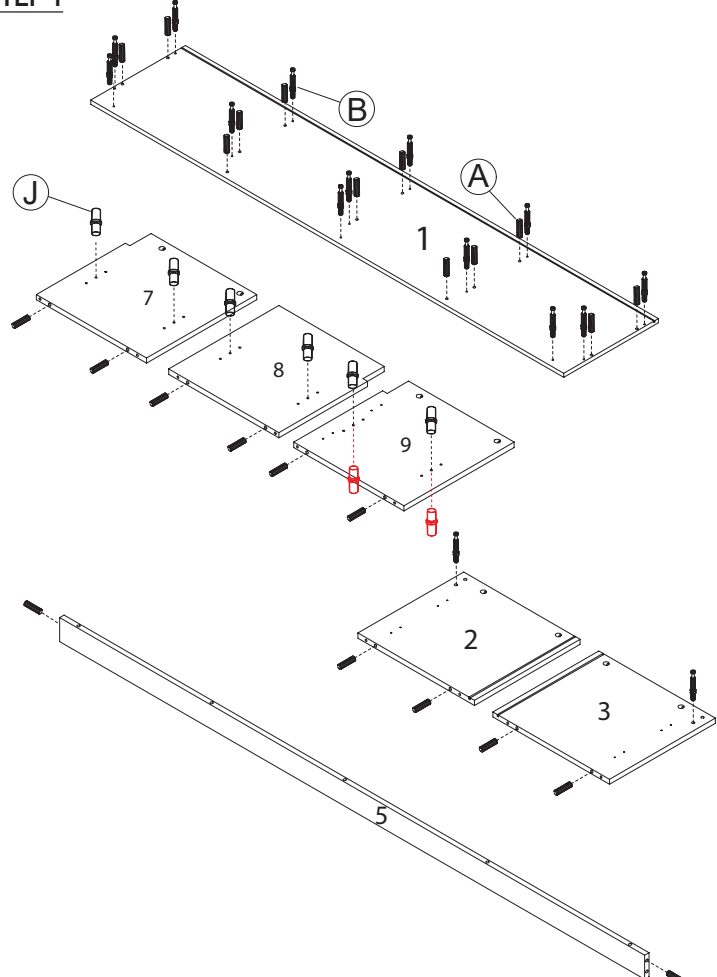
STEP 4



(C) = 7 pcs

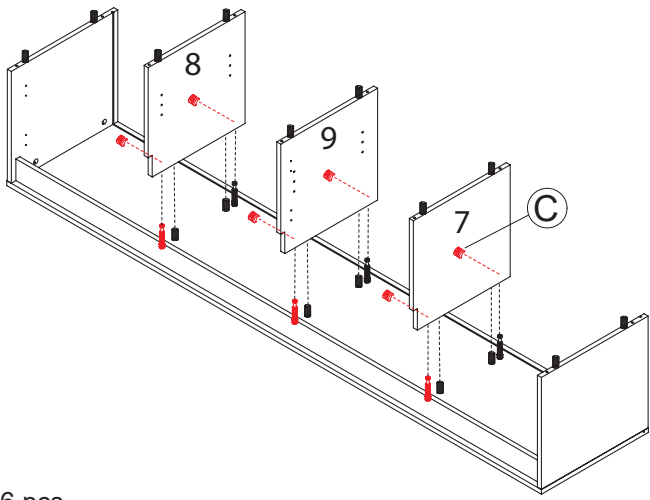


STEP 1



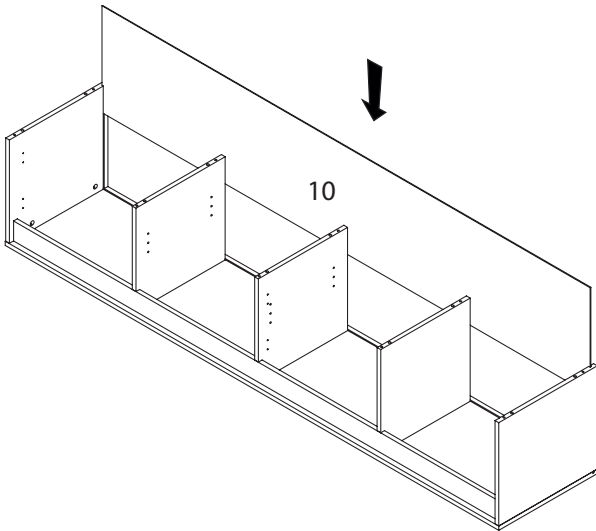
(A) = 24 pcs (B) = 15 pcs (J) = 8 pcs

STEP 5

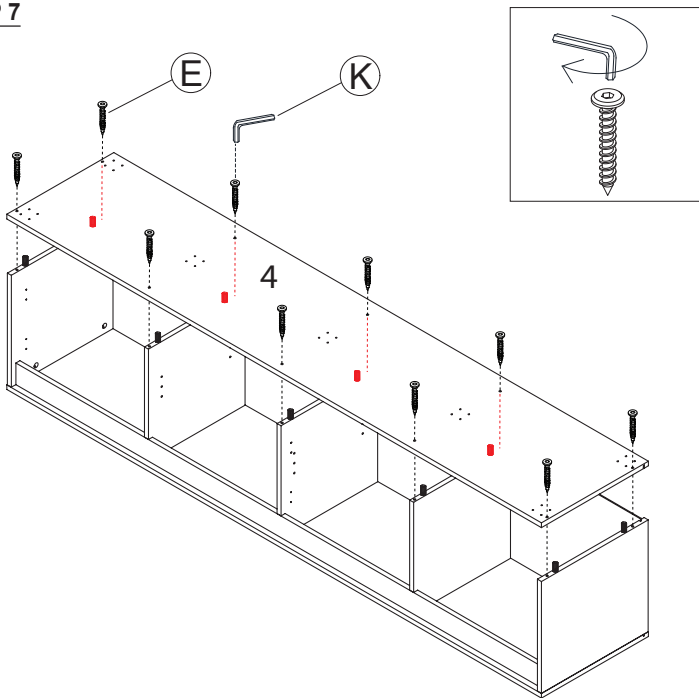


Ⓒ = 6 pcs

STEP 6

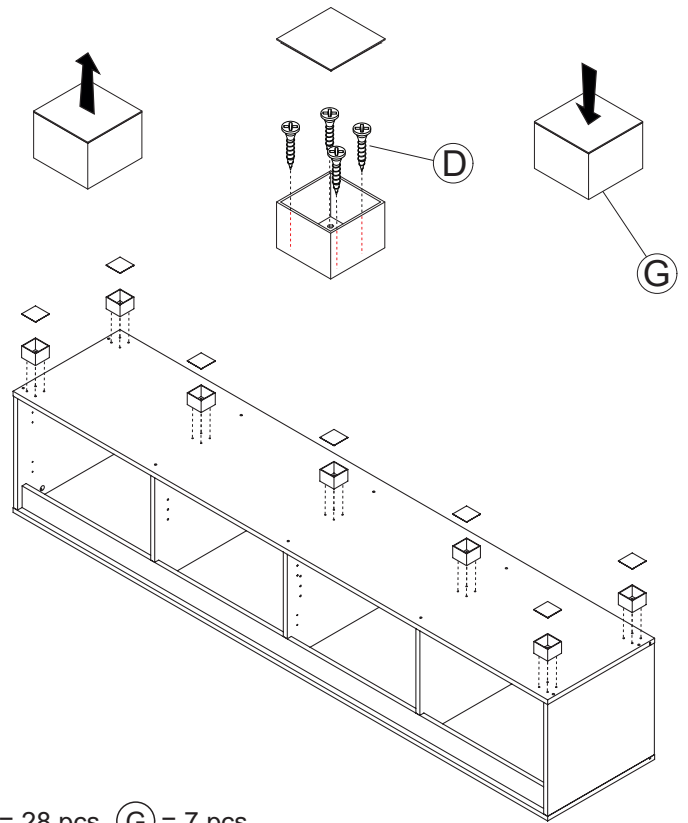


STEP 7



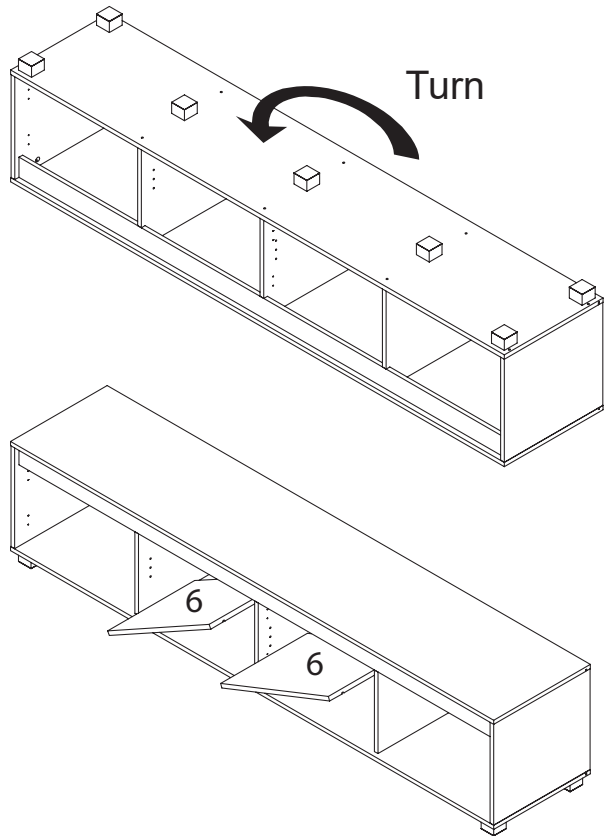
Ⓔ = 10 pcs Ⓚ = 1 pcs

STEP 8



Ⓓ = 28 pcs ⓖ = 7 pcs

STEP 9

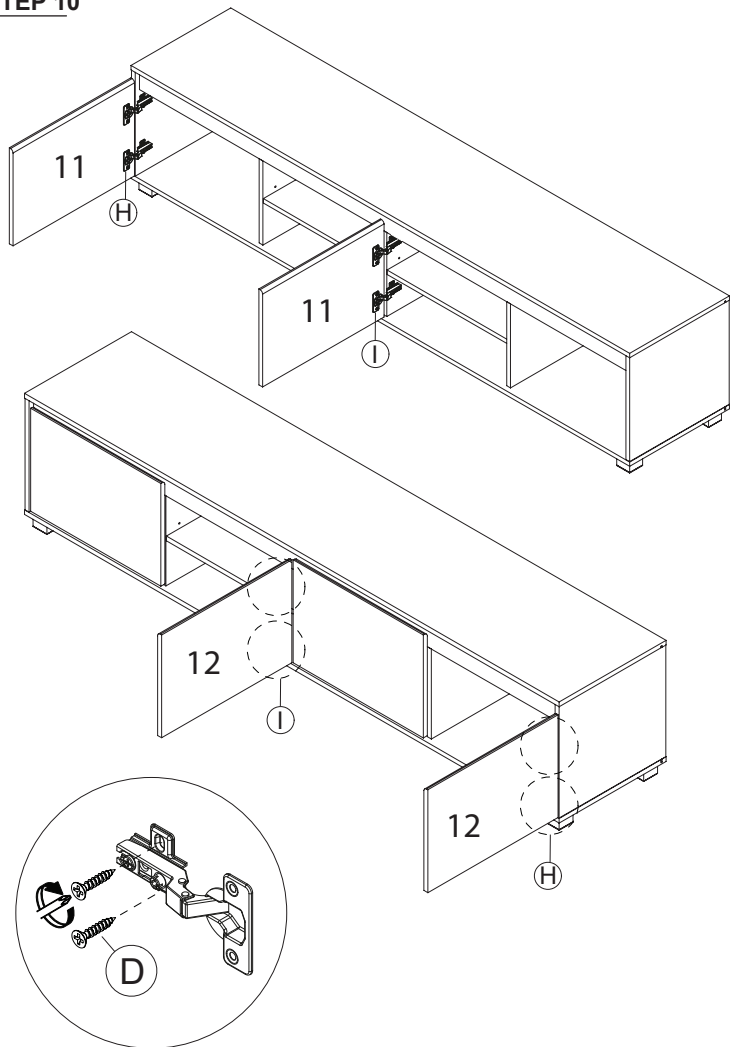


Outside

Inside

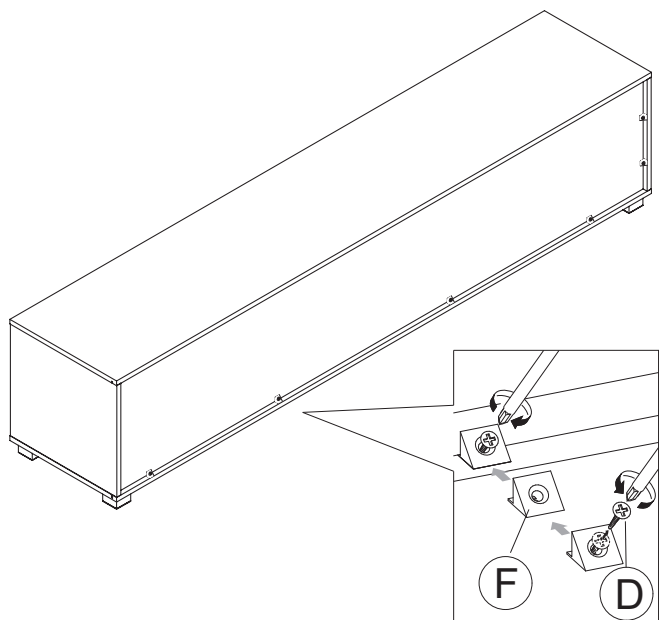


STEP 10



ⓓ = 16 pcs

STEP 11



ⓓ = 12 pcs ⓕ = 12 pcs

COMPLETE

