


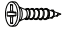
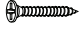
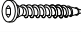

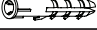




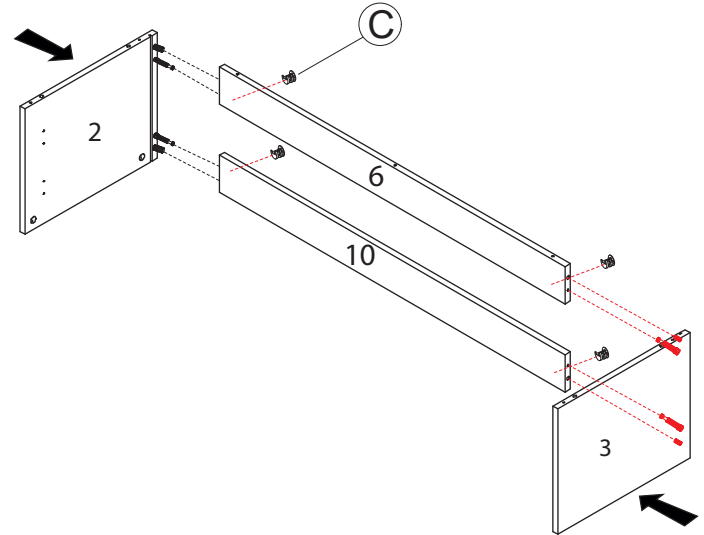
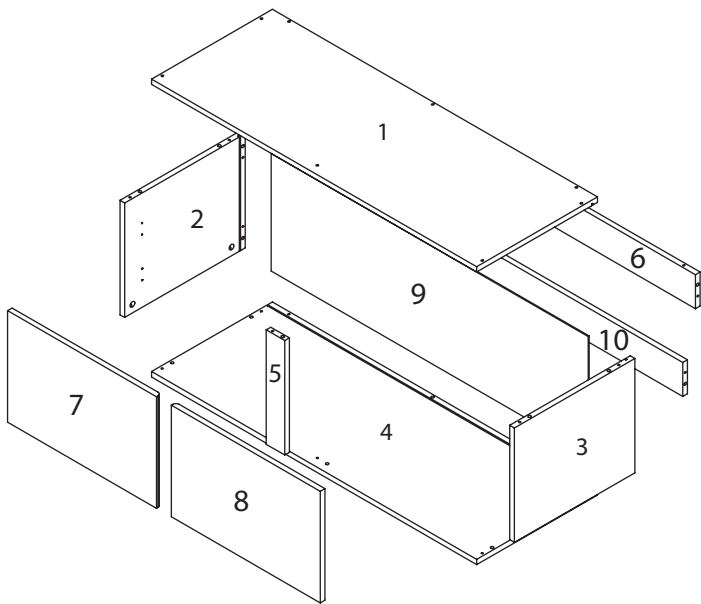
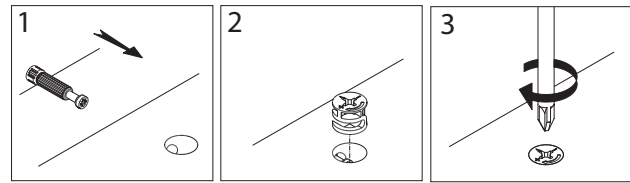
MODEL NO: ALMA ALTO

ACCESSORIES		QTY
(A) DOWEL Ø8 X 30mm		15 pcs
(B) CAM BOLT		11 set
(C) CAM NUT		11 set
(D) C/B SCREW M3.5 X 16mm		28 pcs
(E) C/B SCREW M4 X 45mm		6 pcs
(F) JCBCW M6 X 40mm		8 pcs
(G) HINGES 7/8"		4 pcs
(H) WALL PLUG		6 set
(I) KEY HOLDER		6 pcS
(J) ALLEN KEY M4		1 pcs

CAUTION

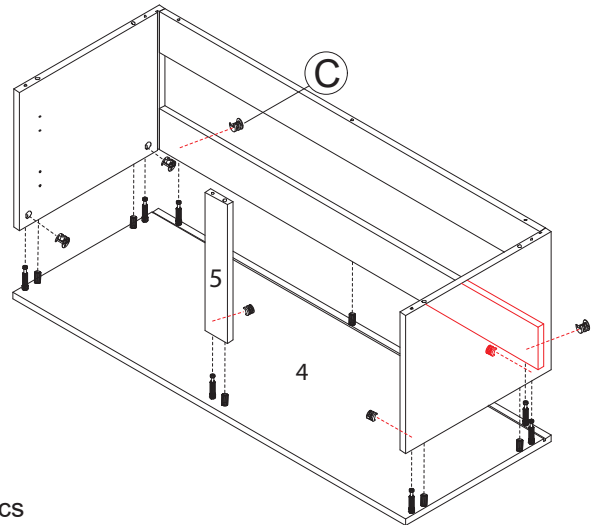
MATERIAL USE-LAMINATED PARTICLE BOARD AND FRAME *TO USE SOFT, DRY, CLOTH *DO NOT USE DETERGENT OR CHEMICAL *AVOID CONTACT WITH WATER AND DIRECT SUNLIGHT *TO BE ASSEMBLED ON A SOFT, DRY, CLEAN AND SMOOTH SURFACE.

STEP 2



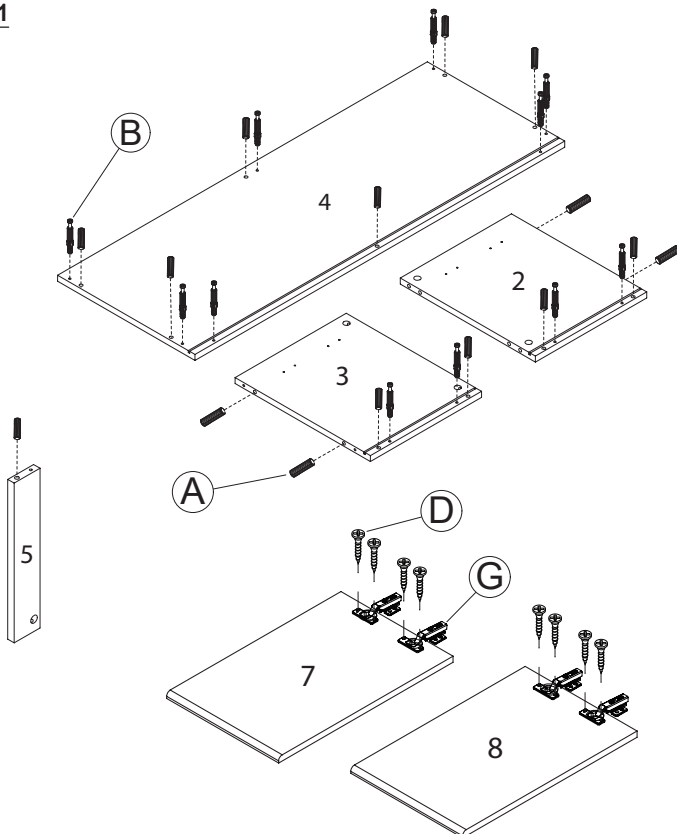
(C) = 4 pcs

STEP 3



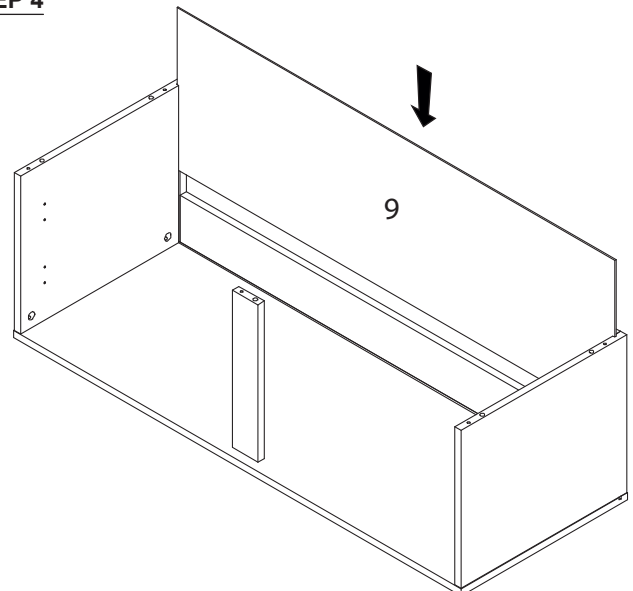
(C) = 7 pcs

STEP 1

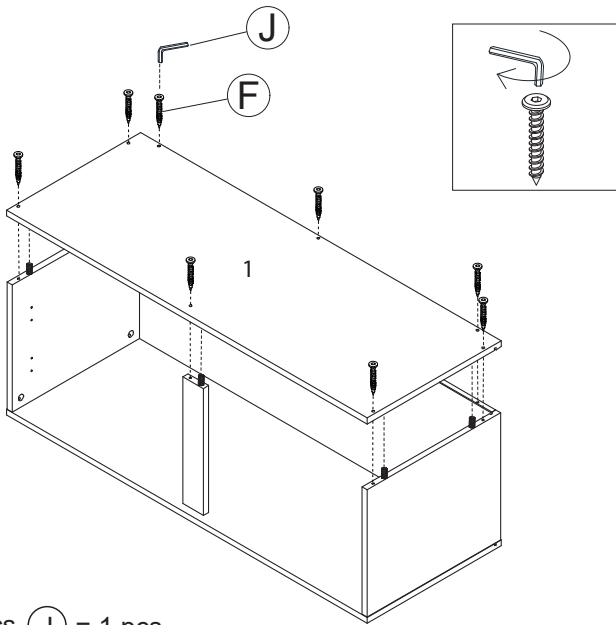


(A) = 15 pcs (B) = 11 pcs (D) = 8 pcs (G) = 4 pcs

STEP 4

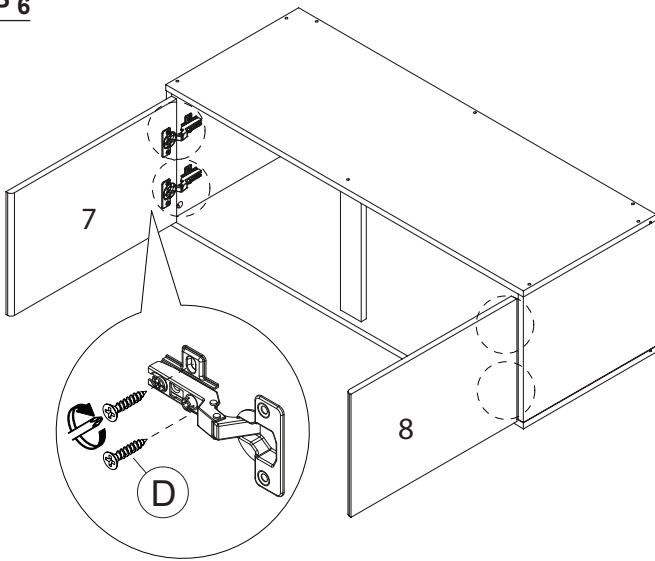


STEP 5



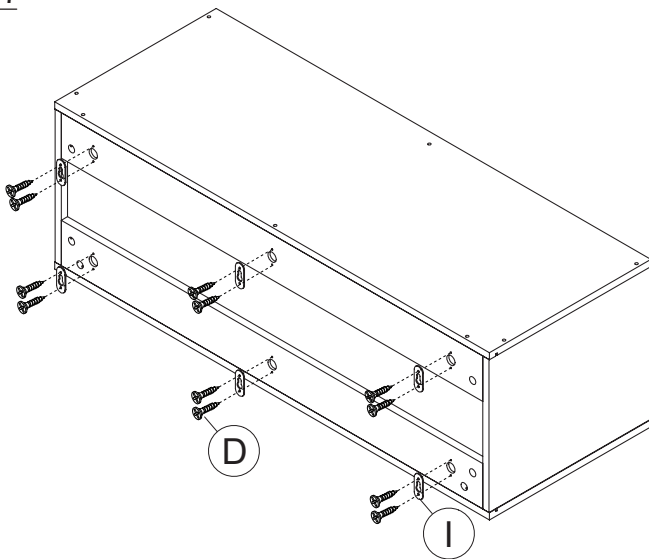
(F) = 8 pcs (J) = 1 pcs

STEP 6



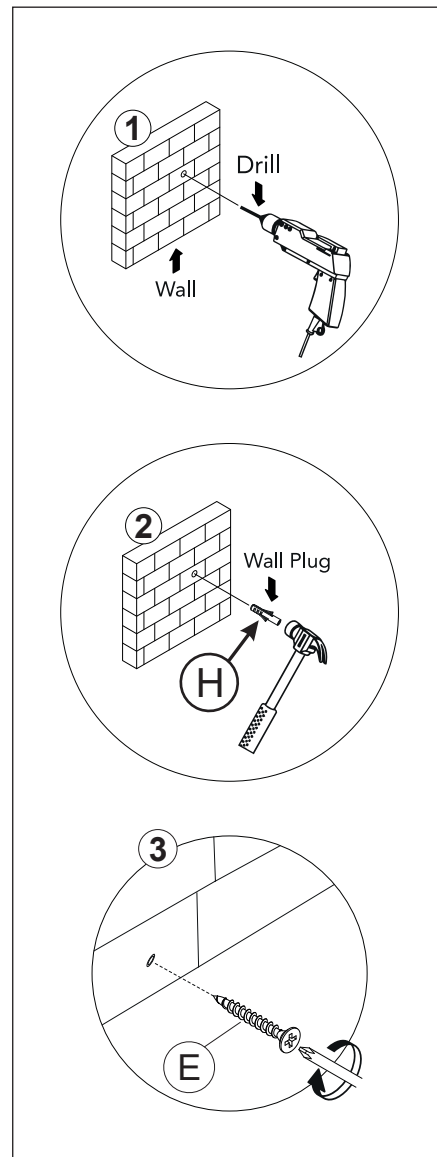
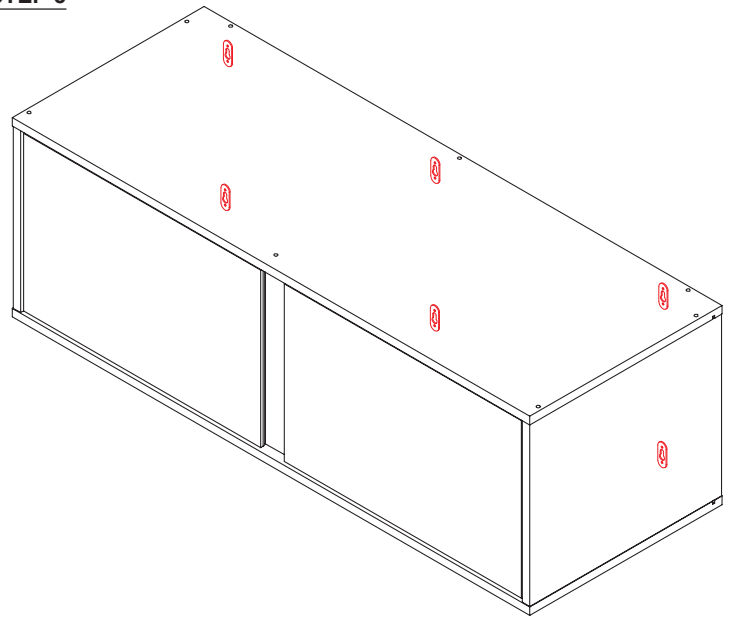
(D) = 8 pcs

STEP 7



(D) = 12pcs (I) = 6 pcs

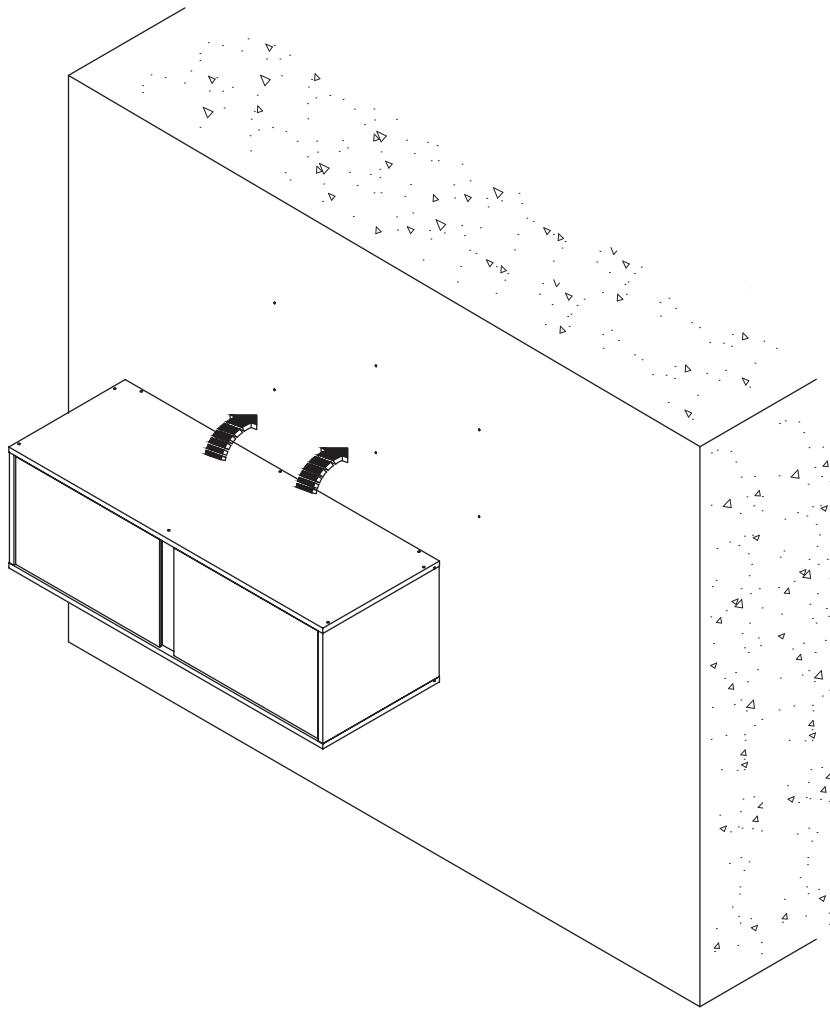
STEP 8



X6

(E) = 6pcs (H) = 6 pcs

STEP 9



STEP 10

