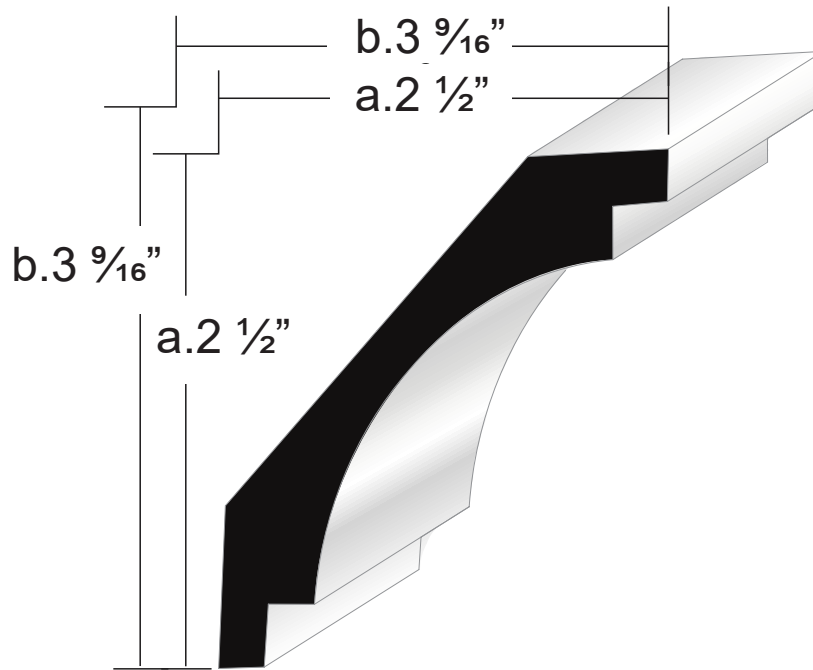


POPLAR

Ceiling Cove

CM408



Dimensions

a. $\frac{3}{4}$ " x $3\frac{1}{2}$ "

b. $\frac{3}{4}$ " x 5"

TURKSTRA
Trim & Doors

370 Green Road, Stoney Creek, ON L8E 2M3

Tel: 905-573-8746

turkstralumber.com

TURKSTRA



ALWAYS ON THE LEVEL