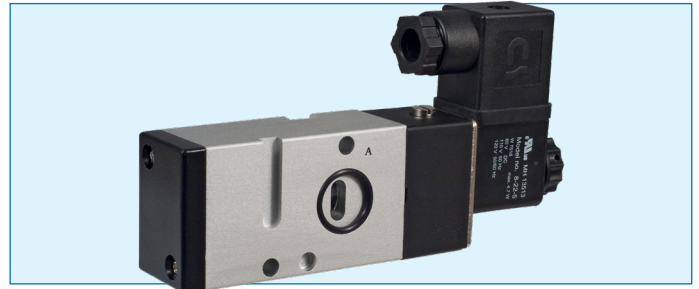
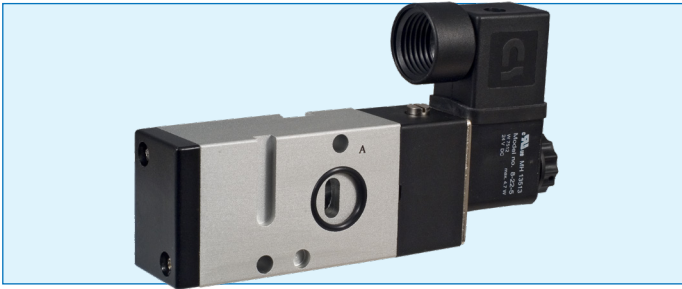


<b>JOB NAME:</b>	<b>CONTRACTOR:</b>
<b>JOB LOCATION:</b>	<b>APPROVAL:</b>
<b>ENGINEER:</b>	<b>CONTRACTOR'S P.O.:</b>
<b>APPROVAL:</b>	<b>REPRESENTATIVE:</b>



## NMR3-C\*

### 3-WAY CONDUIT CONNECTION

- 3-way single solenoid NAMUR valve
- Cv=1.68
- Ports 1/4" NPT
- Duty cycle 100% continuous
- Pressure range 20 to 120 PSIG
- Temperature range 35°F to 130°F (normal)
- Temperature range 0°F to 130°F (with dry media)

MODEL	VOLTAGE	INRUSH	POWER CONSUMPTION
NMR3-C1	110VAC	62 mA	3.5w
NMR3-C2	24VDC	105 mA	3.5w
NMR3-C12	12VDC	204 mA	3.5w
NMR3-C22	220VAC	31 mA	3.5w
NMR3-C24	24VAC	See*	3.5w

\*Consult Factory

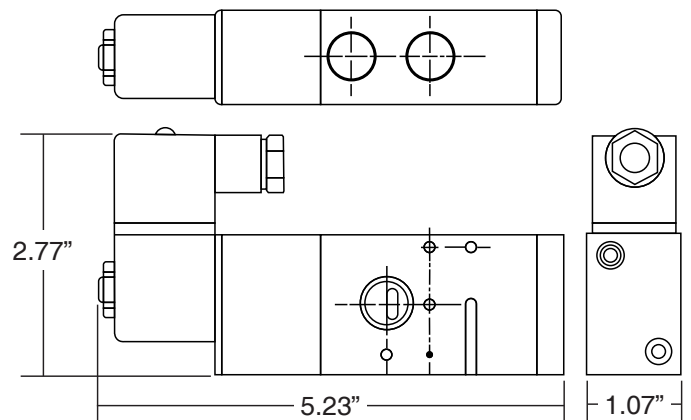
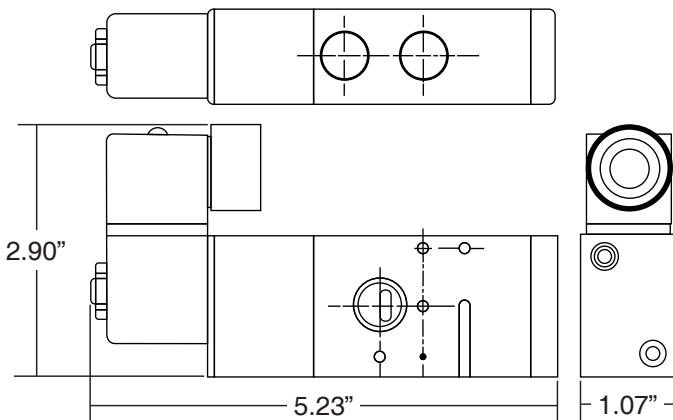
## NMR3-D\*

### 3-WAY DIN CONNECTION

- 3-way single solenoid NAMUR valve
- Cv=1.68
- Ports 1/4" NPT
- Duty cycle 100% continuous
- Pressure range 20 to 120 PSIG
- Temperature range 35°F to 130°F (normal)
- Temperature range 0°F to 130°F (with dry media)

MODEL	VOLTAGE	INRUSH	POWER CONSUMPTION
NMR3-D1	110VAC	62 mA	3.5w
NMR3-D2	24VDC	105 mA	3.5w
NMR3-D12	12VDC	204 mA	3.5w
NMR3-D22	220VAC	31 mA	3.5w
NMR3-D24	24VAC	See*	3.5w

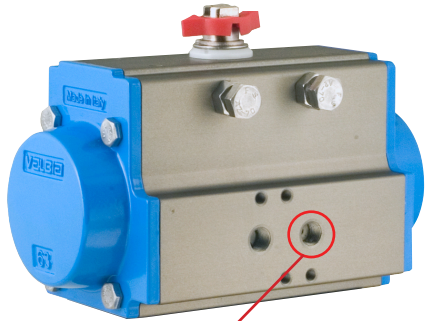
\*Consult Factory



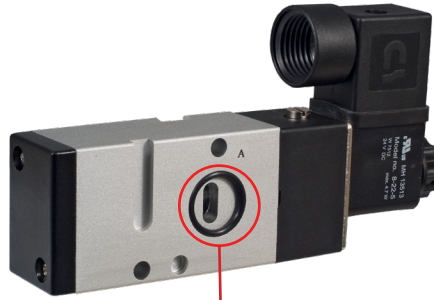
## NMR3 SERIES IOM

This following instructions demonstrate the proper 3/2 3-Way NAMUR Solenoid Valve Installation.

**FIGURE 1**



**O-Ring Port of the Solenoid Valve**



**O-Ring Port**



**2 - M5 Socket Head Cap Screw**

The O-Ring port of the Solenoid Valve must cover the actuator port show in Figure 1  
**NOTE:** Make sure your O-Ring does not fall out

**FIGURE 2**

**Air Supply goes to the port marked "P"**



**Correct Solenoid Valve Position**

**FIGURE 3**

**Tighten M5 Cap Screws**

