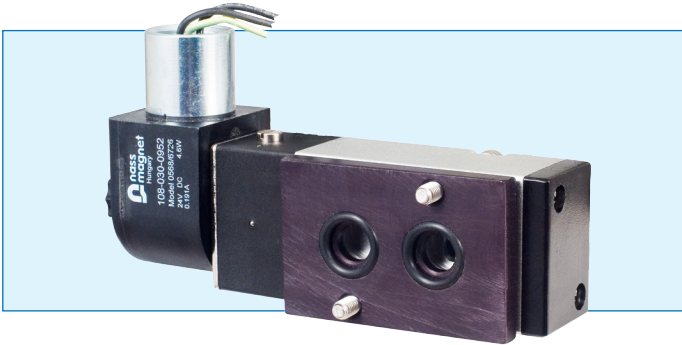


<b>JOB NAME:</b>	<b>CONTRACTOR:</b>
<b>JOB LOCATION:</b>	<b>APPROVAL:</b>
<b>ENGINEER:</b>	<b>CONTRACTOR'S P.O.:</b>
<b>APPROVAL:</b>	<b>REPRESENTATIVE:</b>



## NMR1-EX\*

### 4-WAY EXPLOSION PROOF CONNECTION

- 4-way single solenoid NAMUR valve
- Cv=1.68
- Ports 1/4" NPT
- Duty cycle 100% continuous
- Pressure range 20 to 120 PSIG
- Temperature range 2°C to 60°C (normal)
- Temperature range -20°C to 60°C (with dry media)
- 18" wire leads

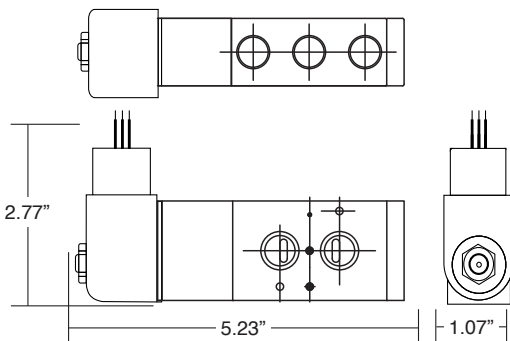
## NMR3-EX\*


### 3-WAY EXPLOSION PROOF CONNECTION

- 3-way single solenoid NAMUR valve
- Cv=1.68
- Ports 1/4" NPT
- Duty cycle 100% continuous
- Pressure range 20 to 120 PSIG
- Temperature range 2°C to 60°C (normal)
- Temperature range -20°C to 60°C (with dry media)
- 18" wire leads


MODEL	VOLTAGE	INRUSH	POWER CONSUMPTION
NMR1-EX1	120 VAC	62 mA	4.6w
NMR1-EX2	24 VDC	108 mA	4.6w
NMR1-EX12	12 VDC	204 mA	4.6w
NMR1-EX22	220 VAC	31 mA	4.6w

MODEL	VOLTAGE	INRUSH	POWER CONSUMPTION
NMR3-EX1	120VAC	74 mA	4.6w
NMR3-EX2	24VDC	190 mA	4.6w
NMR3-EX12	12VDC	372 mA	4.6w
NMR3-EX22	220VAC	36 mA	4.6w

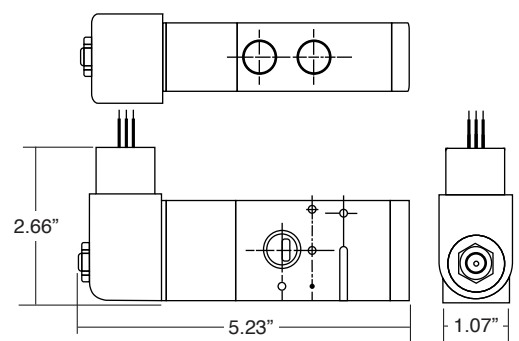




202633 X  
CL.I; Zone 1  
Ex m II T4  
CL.I; Div. 1 & 2; Gr. A, B, C, D  
CL.II;  
CL.III  
T4



APPROVED  
AEx m II  
Gr.E, F, G  
Ta=-20°C...+60°C



## NMR3-EX SERIES IOM

This following instructions demonstrate the proper 3/2 3-Way NAMUR Solenoid Valve Installation.

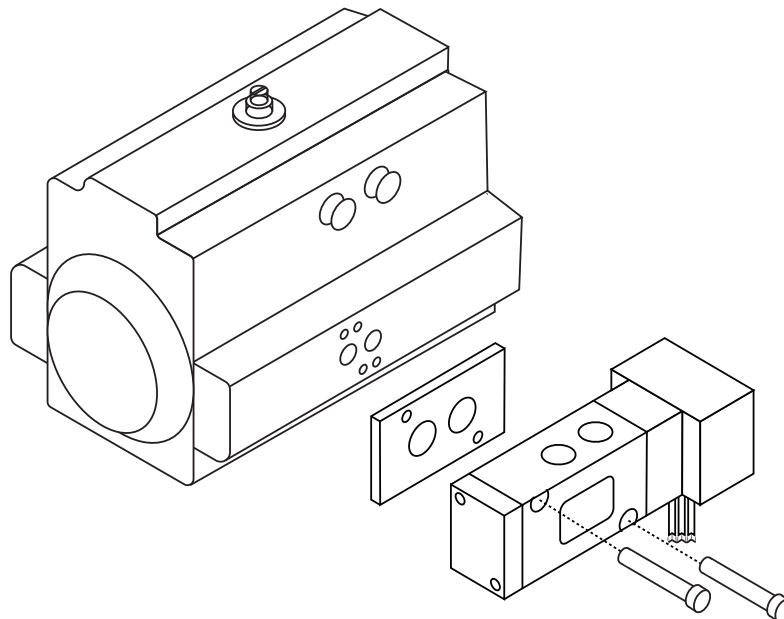
**FIGURE 1**



The O-Ring port of the Solenoid Valve must cover the actuator port show in Figure 1

NOTE: Make sure your O-Ring does not fall out

**FIGURE 2**

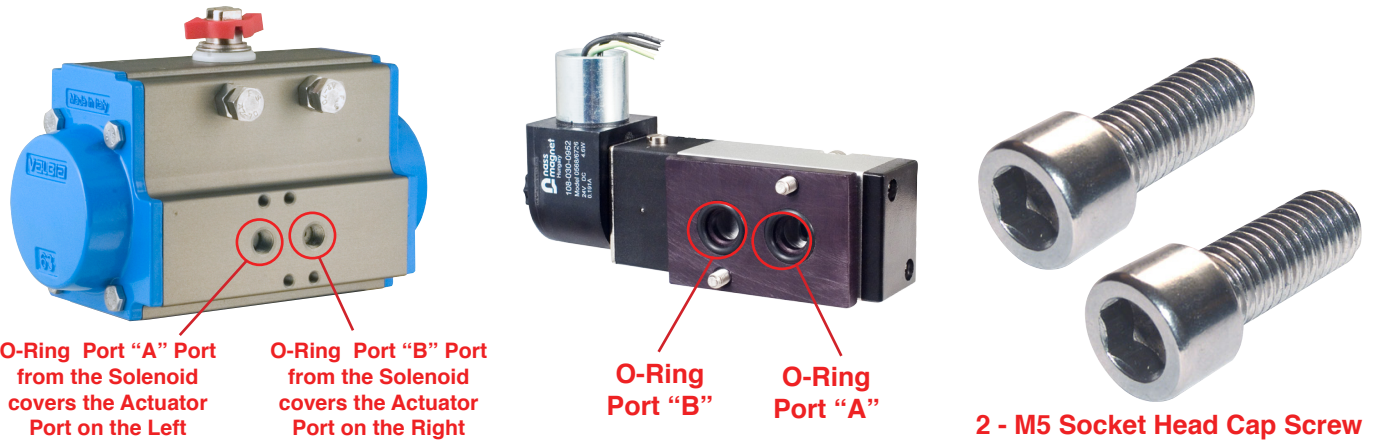


**Correct Solenoid Valve Position**

## NMR1-EX SERIES IOM

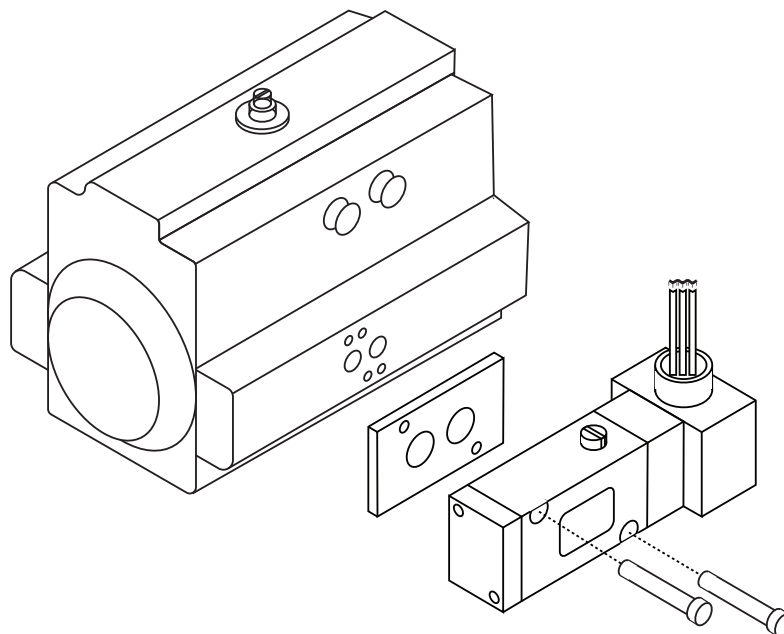
This following instructions demonstrate the proper 5/2 4-Way NAMUR Solenoid Valve Installation.

**FIGURE 1**



The O-Ring port of the Solenoid Valve must cover the actuator port show in Figure 1  
NOTE: Make sure your O-Rings do not fall out

**FIGURE 2**



**Correct Solenoid Valve Position**