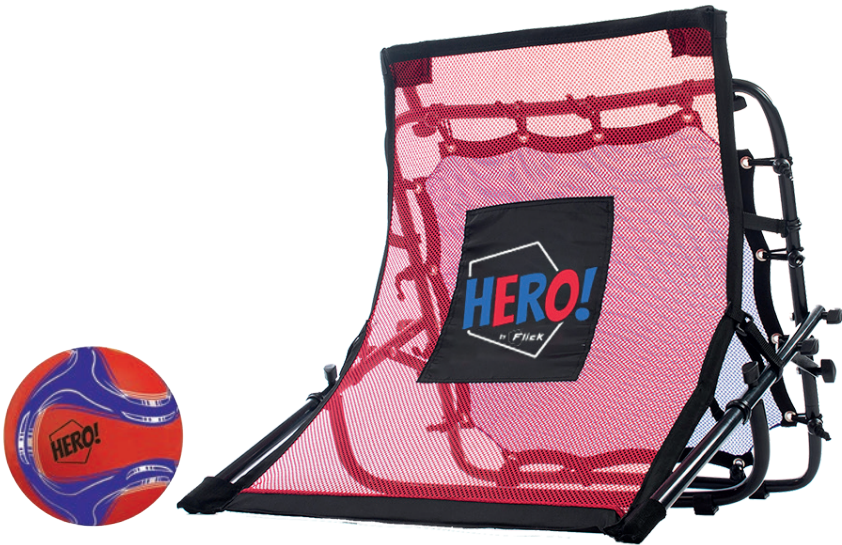




Football Flick Hero Football Mini Skills Trainer

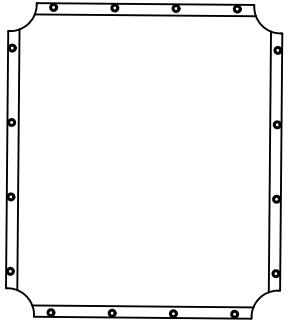
Instructions

IMPORTANT: REVIEW CAREFULLY AND KEEP FOR FUTURE REFERENCE



To watch assembly video visit the support tab at www.footballflick.com

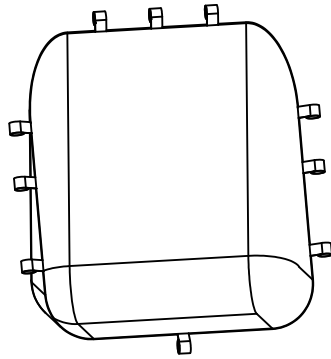
A



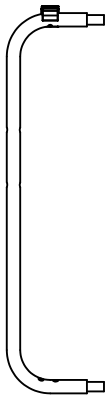
B



C



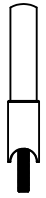
Dx2



Ex2



Fx2



Gx2



H



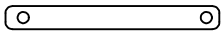
Ix2



Jx2



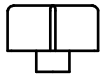
Kx2



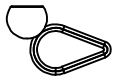
Lx4



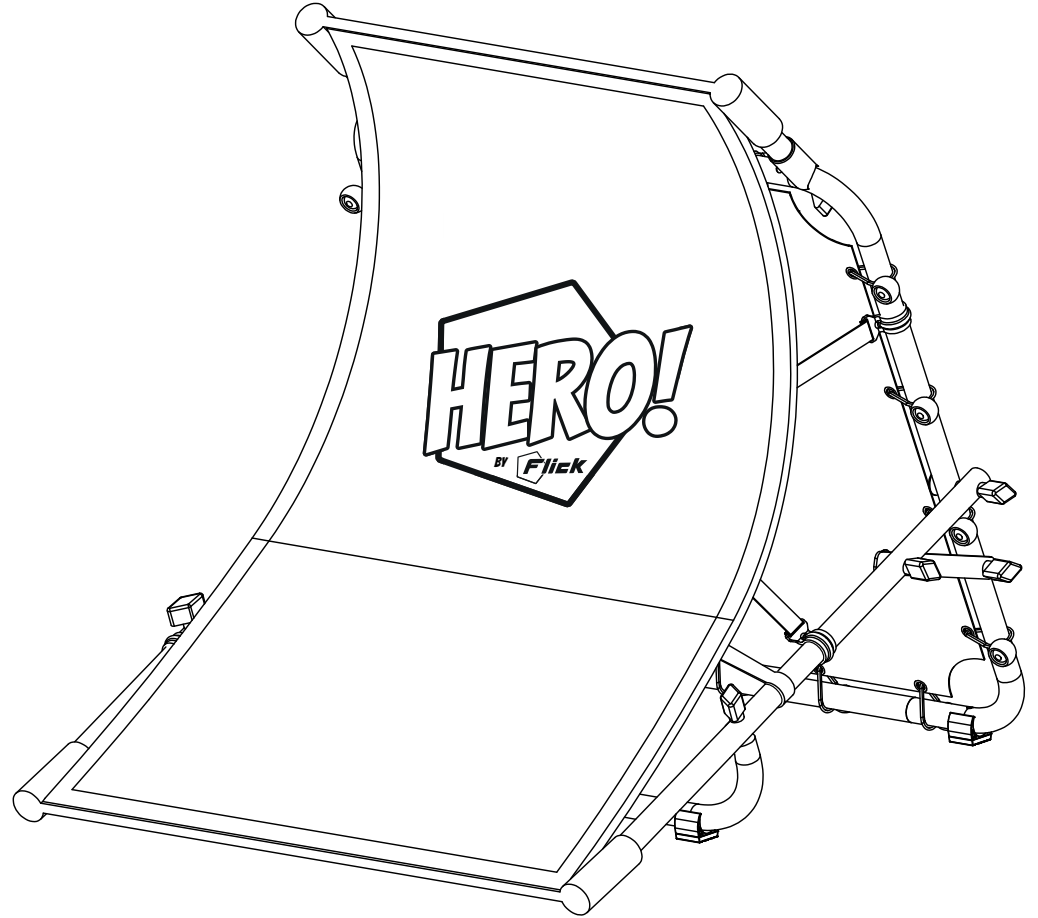
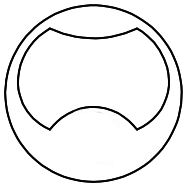
Nx10

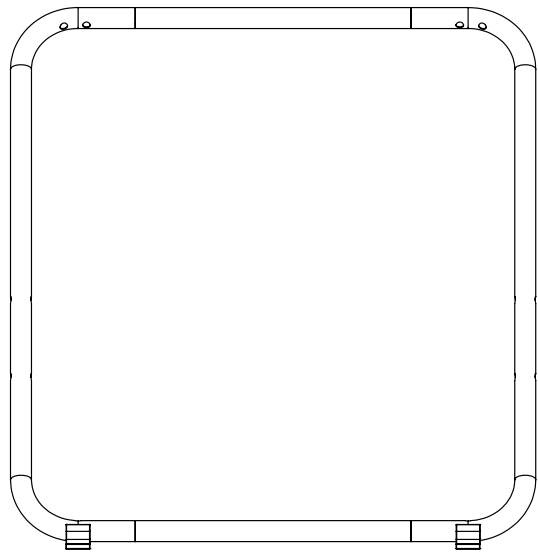
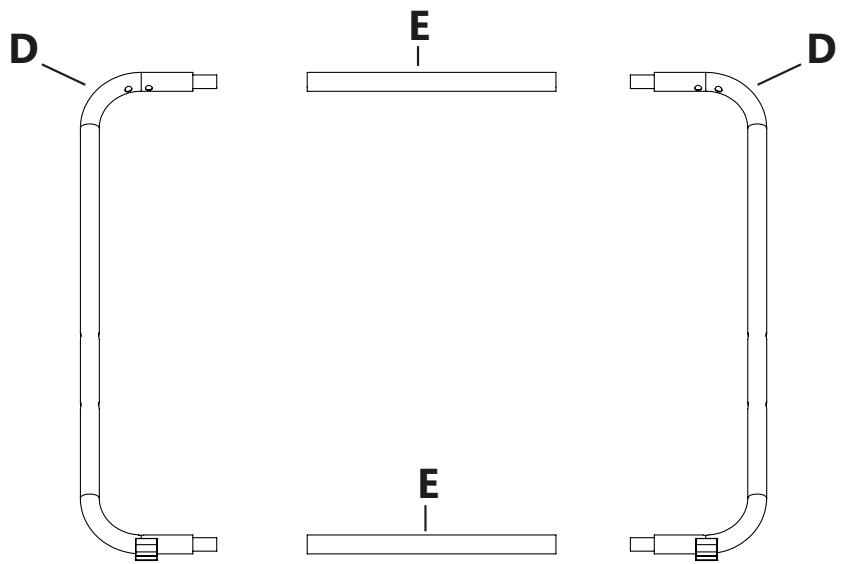


Ox16

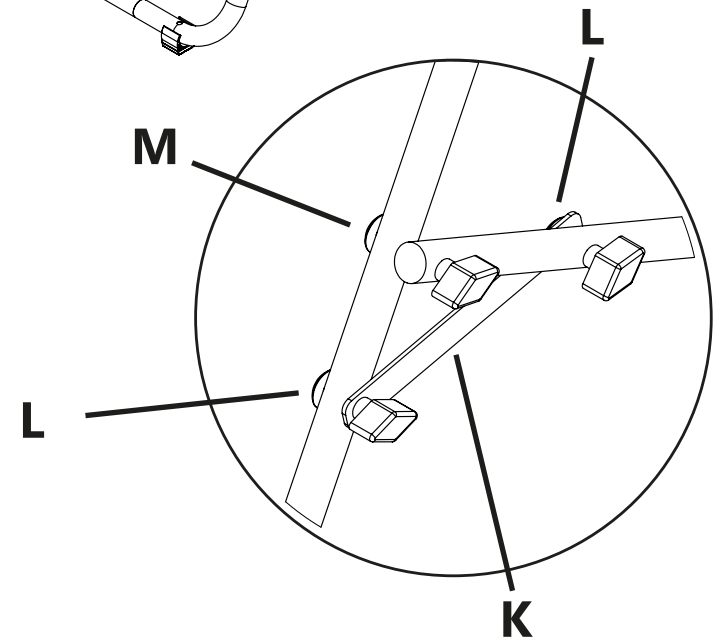
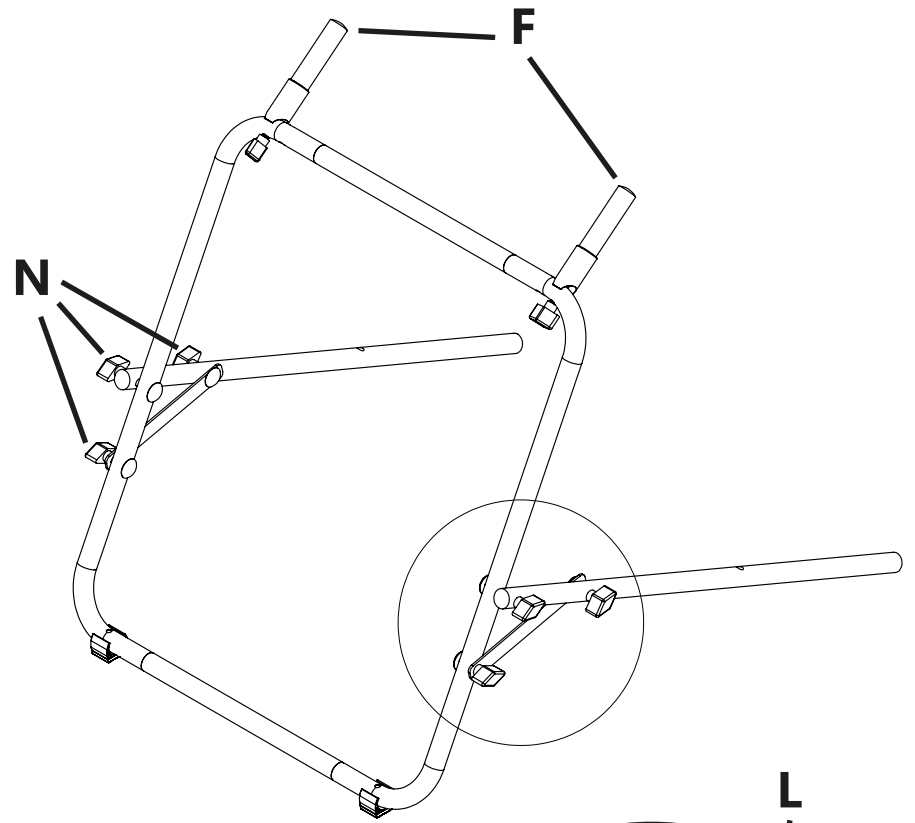


P

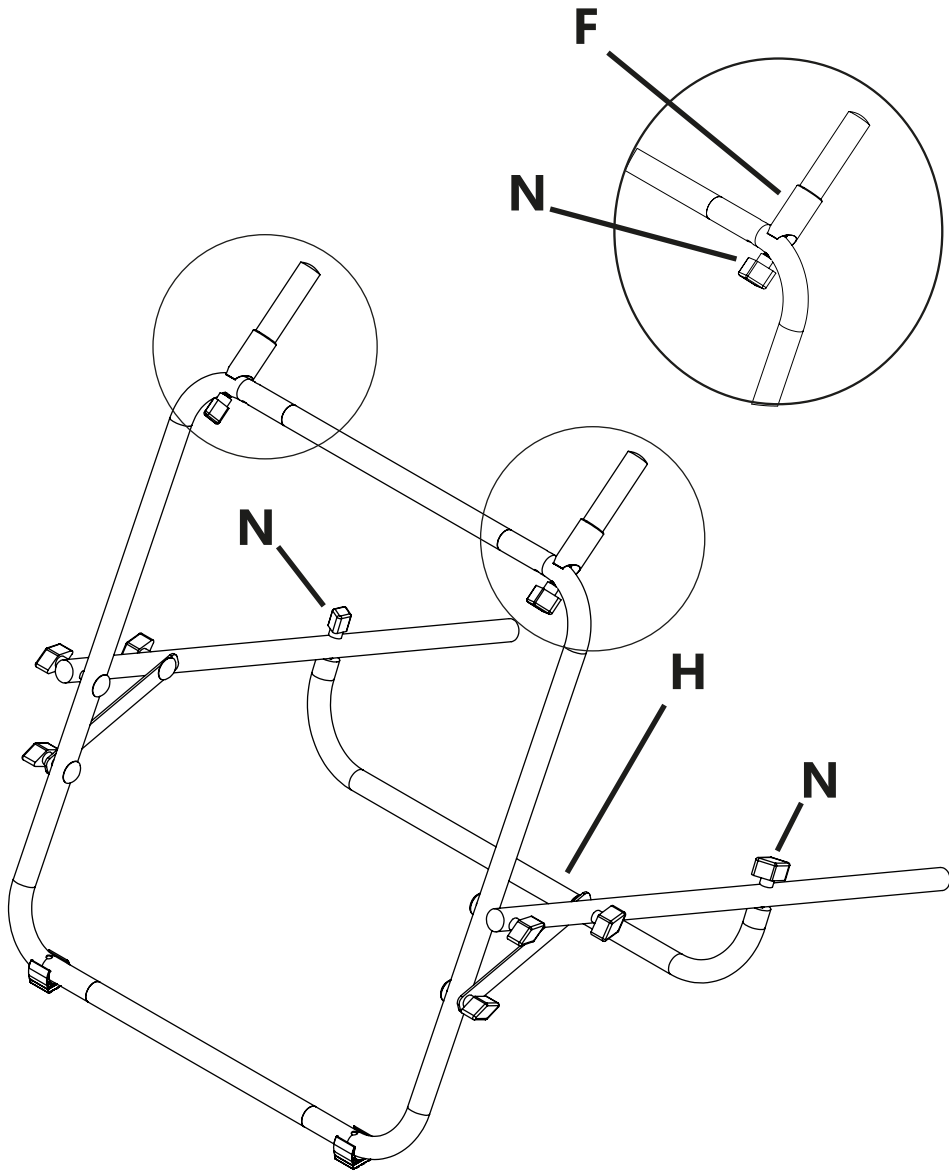




1

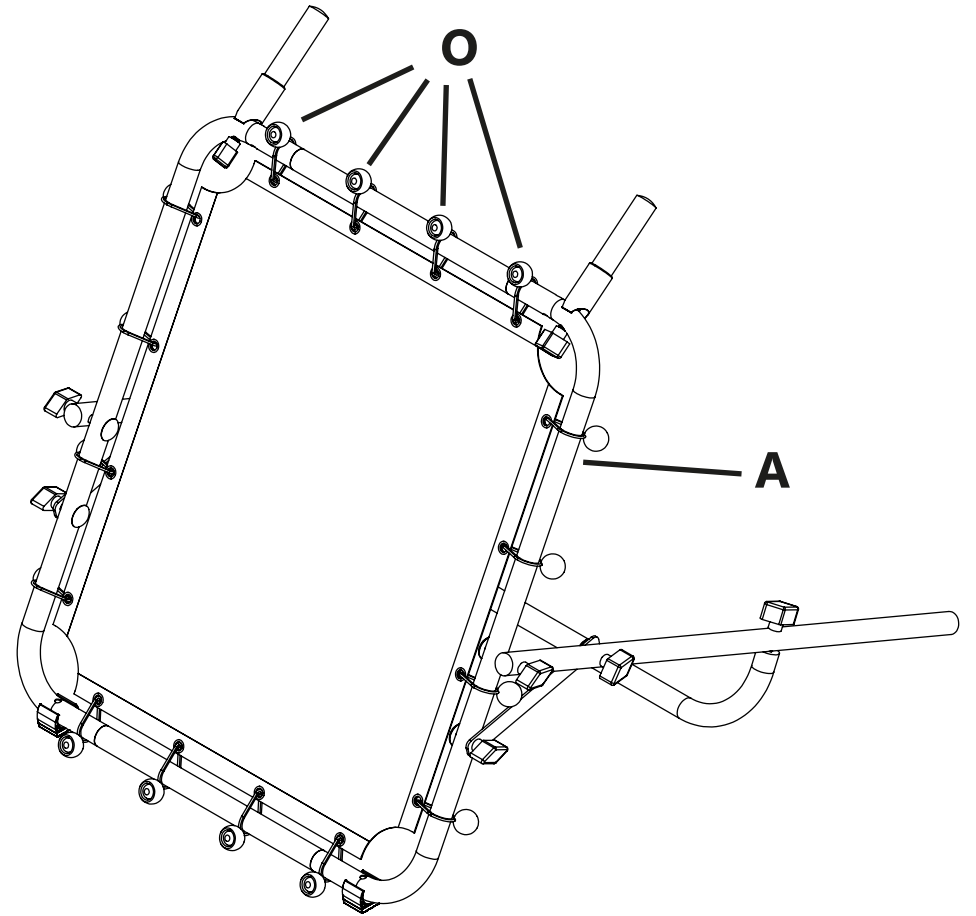


2



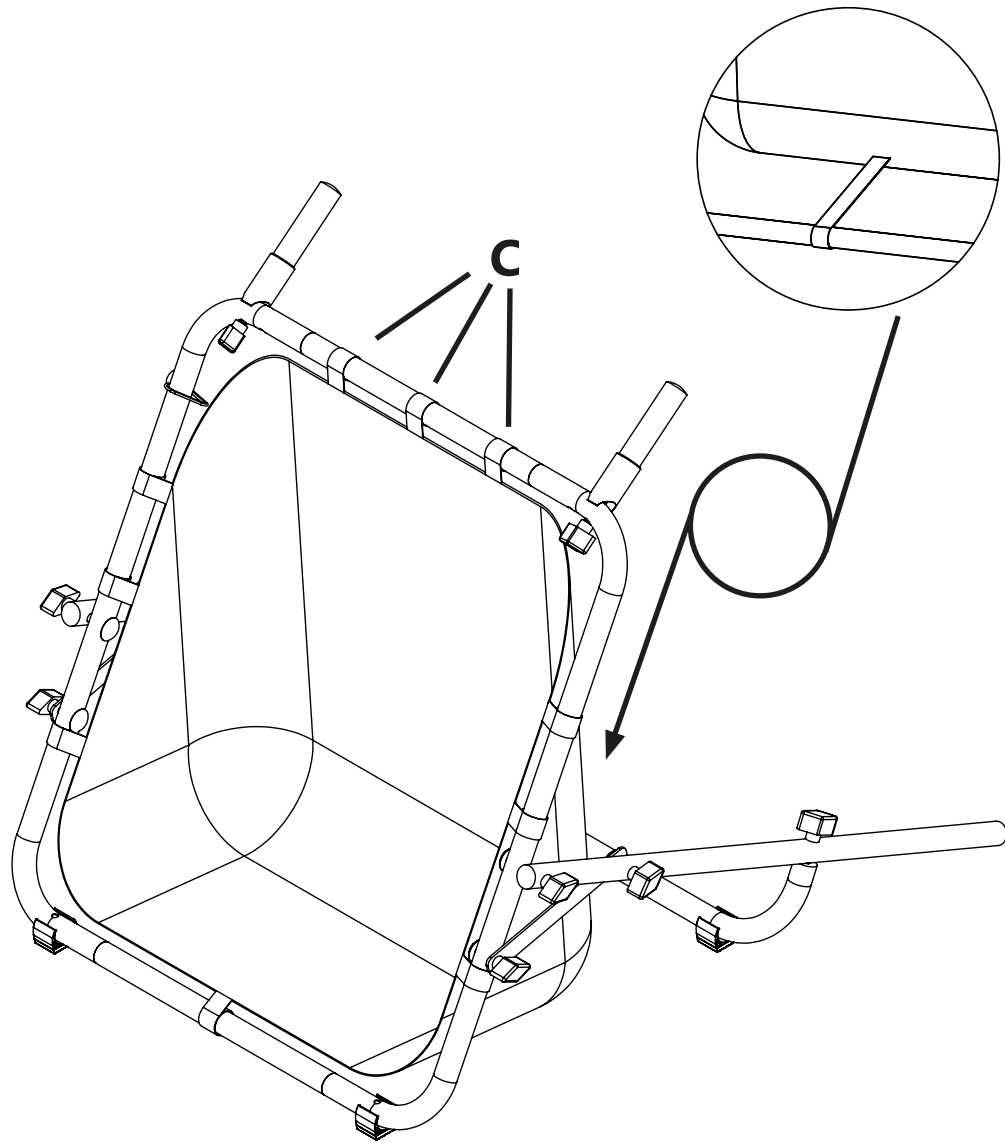
3

OPTION 1: REBOUNDER

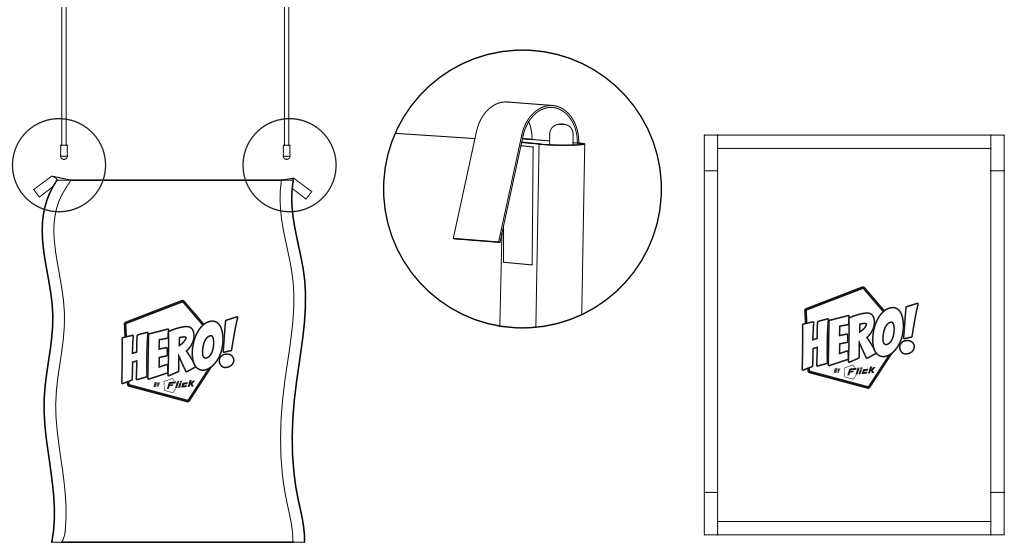
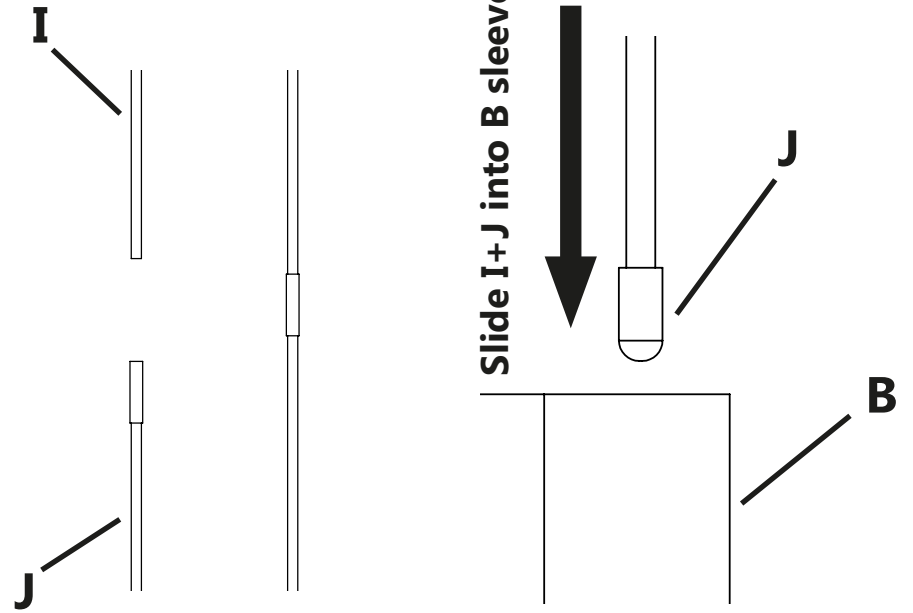


4

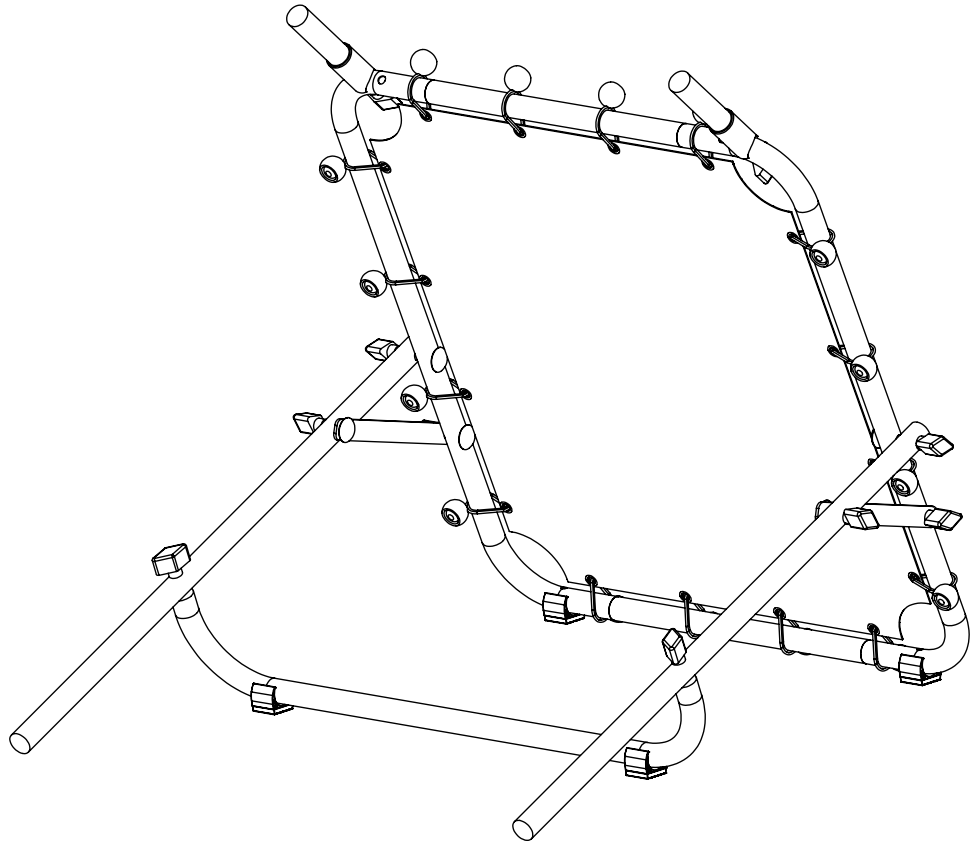
OPTION 2: GOAL



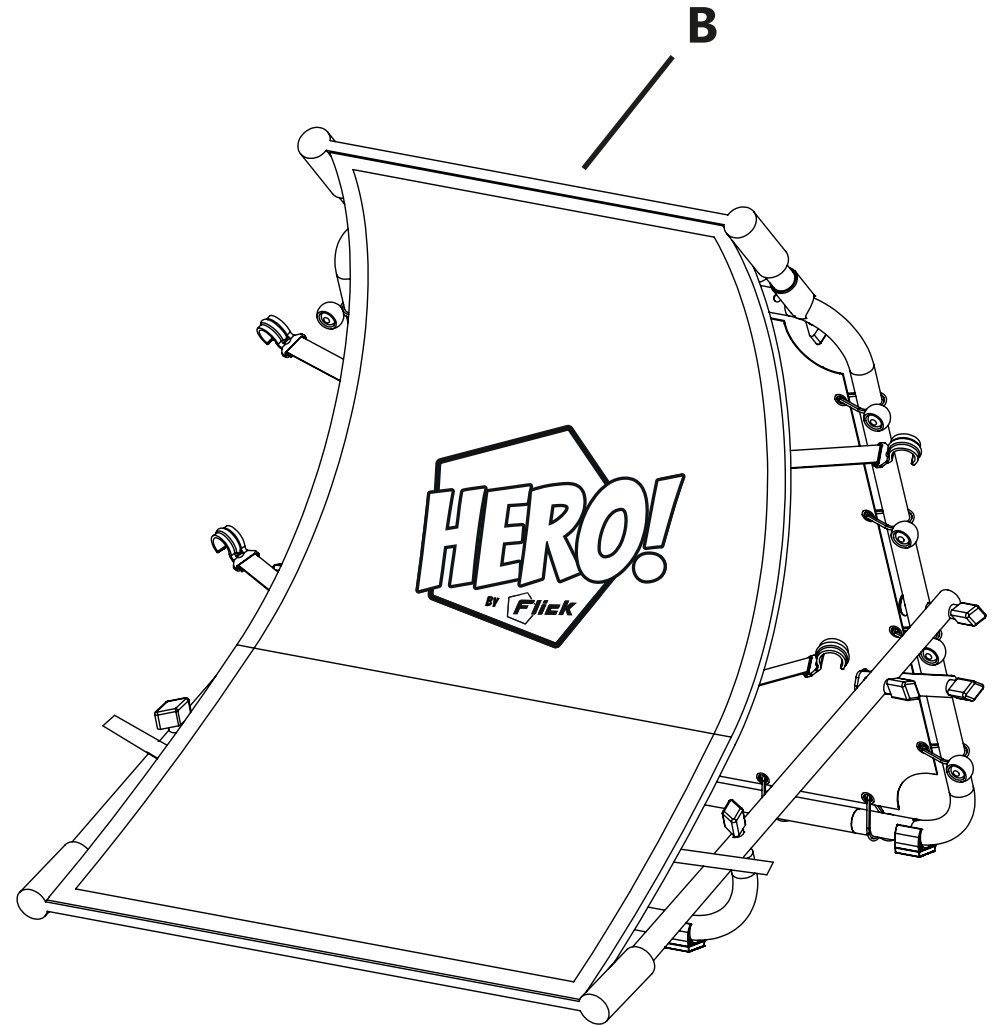
5



6

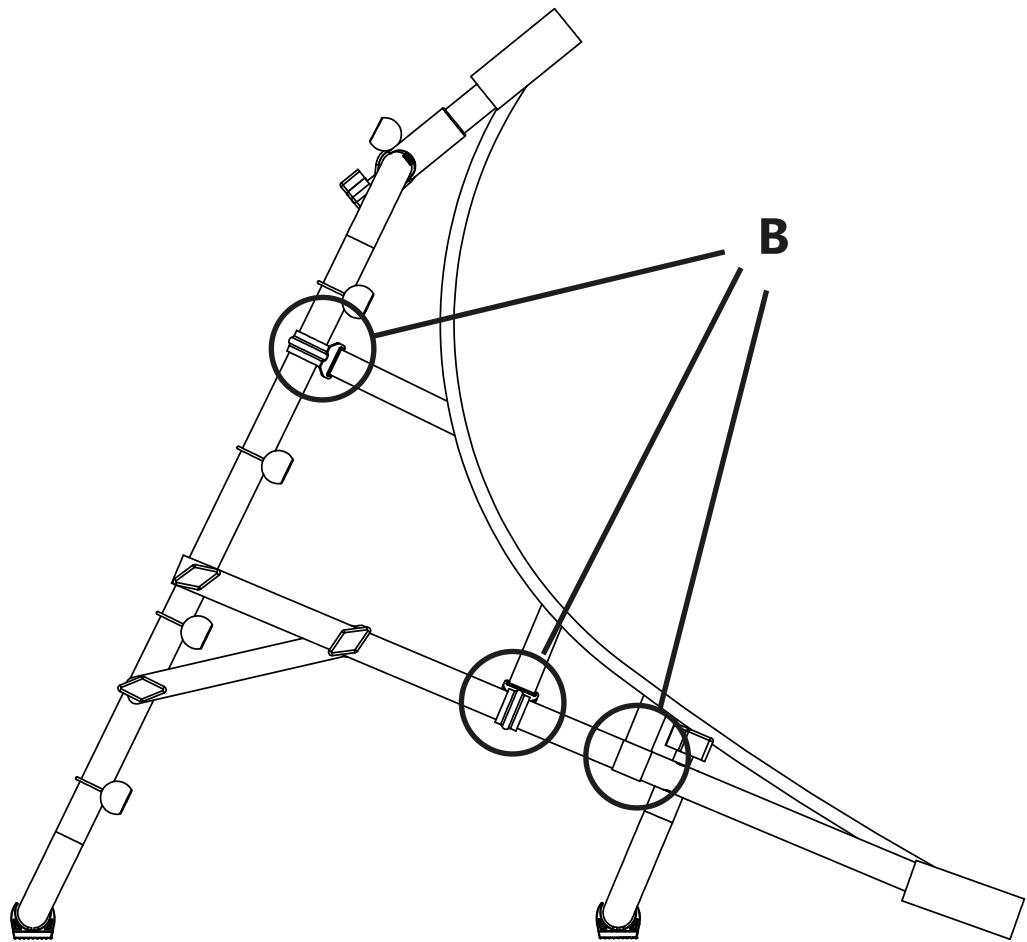


7

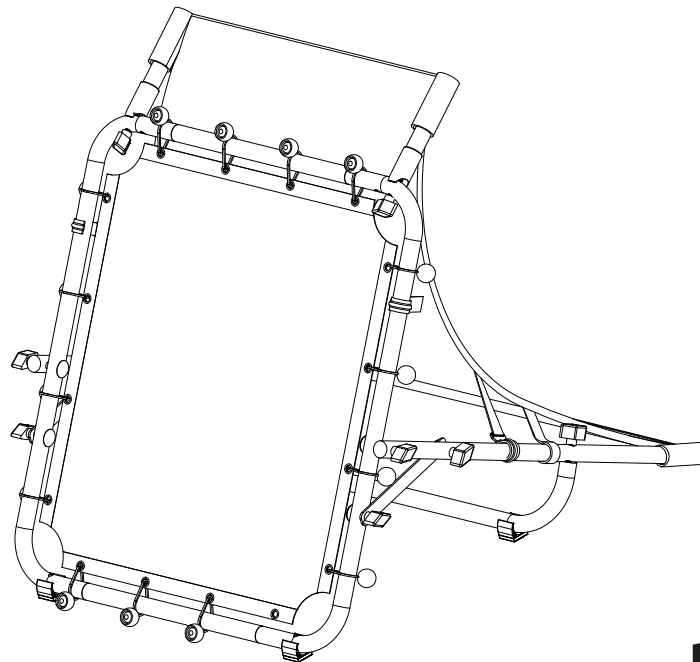
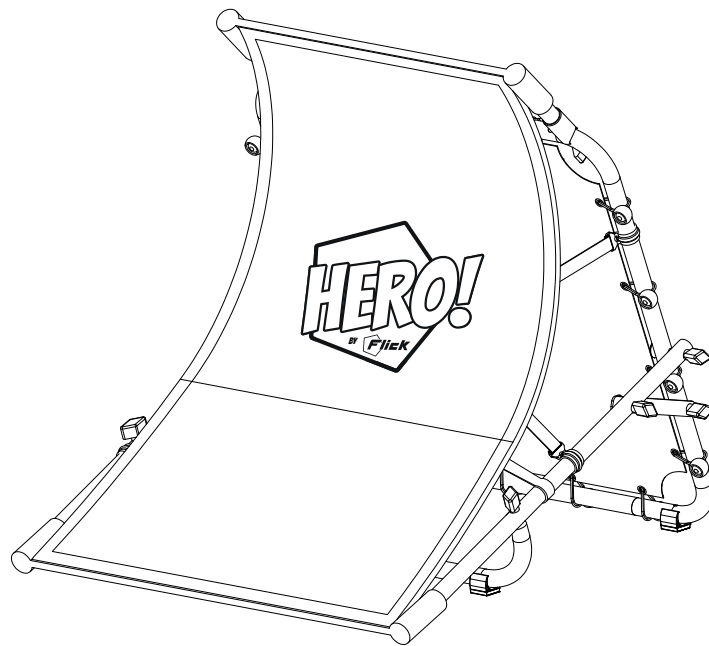


- Slide B's lower corner pockets over parts G first
- Then Slide B's upper corner pockets over parts F

8



9



10



Important Safety & Care

When not in use, always store the unit in a dry place. Prolonged exposure to sunshine, rain, snow etc will cause deterioration to the unit.

Football Flick Hero Mini Skills Trainer has been designed to be used with the ball provided. DO NOT use with any other standard weight football or any other objects.

DO NOT sit, stand or apply pressure to the unit. Assembly should be carried out by an adult. After assembly, regularly check all fastenings are secure.

Football Flick Hero Mini Skills Trainer should be used responsibly and under the supervision of adults where children are using the unit.



footballflick.com/HERO



Search : @footballflick

Share Your Skills - Join
the Football Flick Community.

WARNING

- Some initial adult assembly required
- Not suitable for children under 3
- Small parts can present choking hazard
- Adult supervision recommended

Developed in the UK by iControl Sport

Made in India