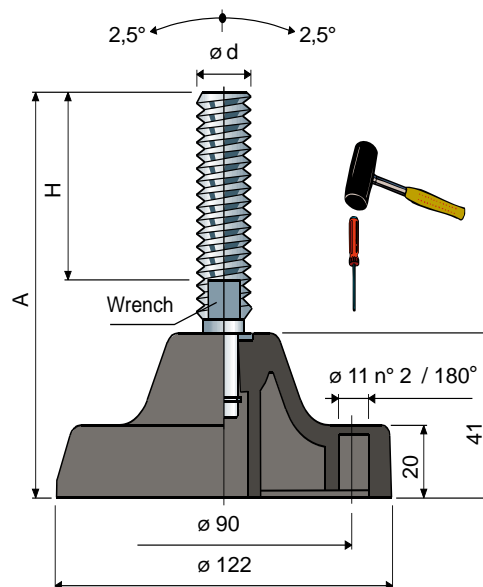


Adjustable feet

(base in reinforced polyamide)

TIPO **93** Ø **122**



Base colour

Spindle measures in mm				BLACK	
$\varnothing d$	A	H	Wrench	Spindle material	Max static load (N)
M20x2,5	200	136	17	93 / 7519	45000
	250	190	17	93 / 83227	
M24x3	194	127	19	93 / 7525	47000
M30x3,5	252	185	24	93 / 7531	50000