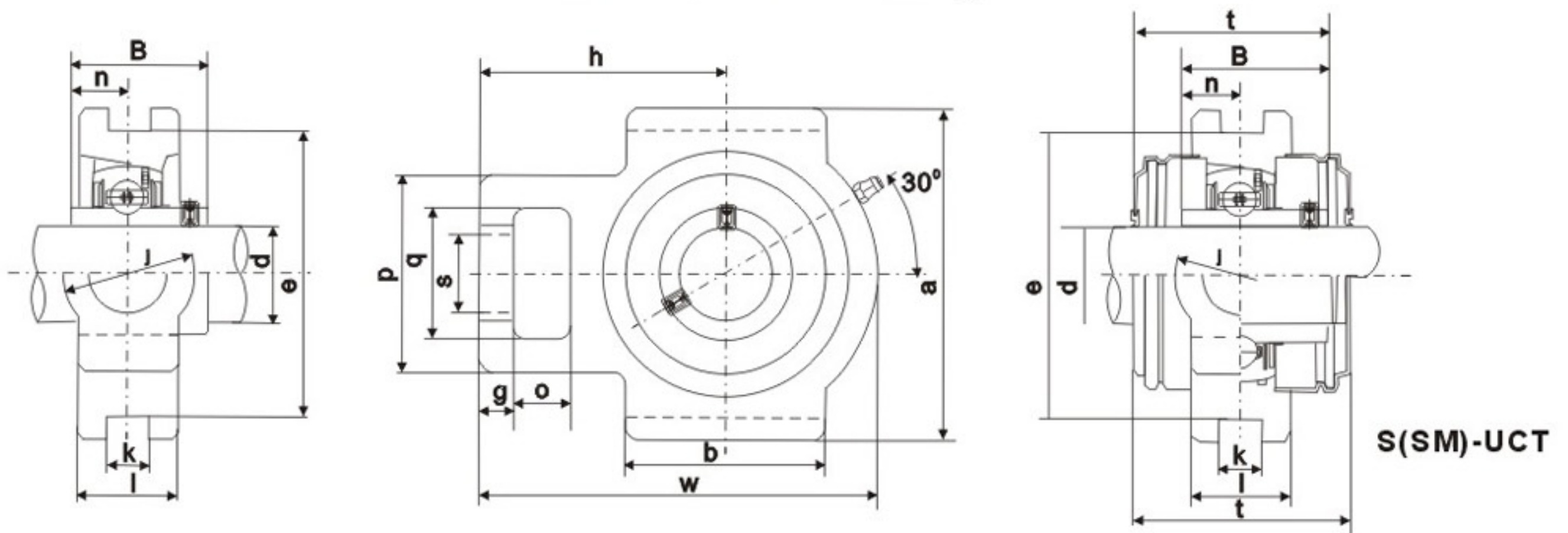


Bearing Units



Take-up Units

UCT2 (normal-duty)



Unit No.	Dimensions mm																	Bearing No.1)	Housing No.	Weight (kg)
	d	o	g	p	q	s	b	k	e	a	w	j	l	h	t	B	n			
UCT201	12	16	10	51	32	19	51	12	76	89	94	32	21	61	44.5	31	12.7	UC201	T204	0.80
UCT202	15	16	10	51	32	19	51	12	76	89	94	32	21	61	44.5	31	12.7	UC202	T204	0.79
UCT203	17	16	10	51	32	19	51	12	76	89	94	32	21	61	44.5	31	12.7	UC203	T204	0.78
UCT204	20	16	10	51	32	19	51	12	76	89	94	32	21	61	44.5	31	12.7	UC204	T204	0.76
UCT205	25	16	10	51	32	19	51	12	76	89	97	32	24	62	48	34.1	14.3	UC205	T205	0.81
UCT206	30	16	10	56	37	22	57	12	89	102	113	37	28	70	53	38.1	15.9	UC206	T206	1.22
UCT207	35	16	13	64	37	22	64	12	89	102	129	37	30	78	59.5	42.9	17.5	UC207	T207	1.44
UCT208	40	19	16	83	49	29	83	16	102	114	144	49	33	89	69	49.2	19	UC208	T208	2.40
UCT209	45	19	16	83	49	29	83	16	102	117	144	49	35	87	69	49.2	19	UC209	T209	2.36
UCT210	50	19	16	83	49	29	86	16	102	117	149	49	37	90	74.5	51.6	19	UC210	T210	2.43
UCT211	55	25	19	102	64	35	95	22	130	146	171	64	38	106	76	55.6	22.2	UC211	T211	4.11
UCT212	60	32	19	102	64	35	102	22	130	146	194	64	42	119	89	65.1	25.4	UC212	T212	4.97
UCT213	65	32	21	111	70	41	121	26	151	167	224	70	44	137	89	65.1	25.4	UC213	T213	6.65
UCT214	70	32	21	111	70	41	121	26	151	167	224	70	46	137	-	74.6	30.2	UC214	T214	7.05
UCT215	75	32	21	111	70	41	121	26	151	167	232	70	48	140	-	77.8	33.3	UC215	T215	7.41
UCT216	80	32	21	111	70	41	121	26	165	184	235	70	51	140	-	82.6	33.3	UC216	T216	8.30
UCT217	85	38	29	124	73	48	157	30	173	198	260	73	54	162	-	85.7	34.1	UC217	T217	11.00

Note:

1. UC201–203 have the same outer dimension with UC204.
2. Insert bearings in this series could also choose bearings such as NA2..., SA2..., SB2..., UCX..., and so on, with the same mounting dimensions as UCT2. . . .
3. Items in Inch series are also produced, with the same mounting dimensions as in Metric series.