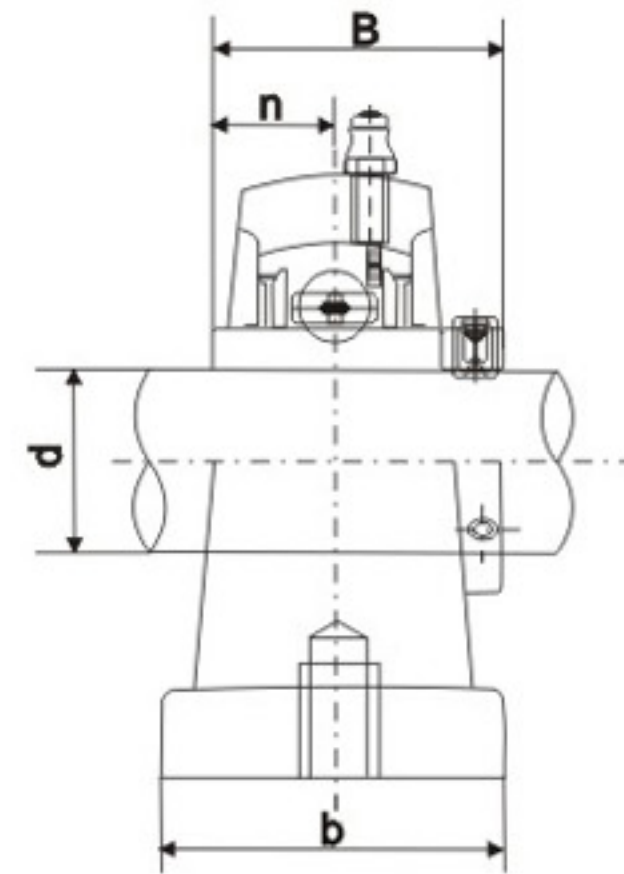
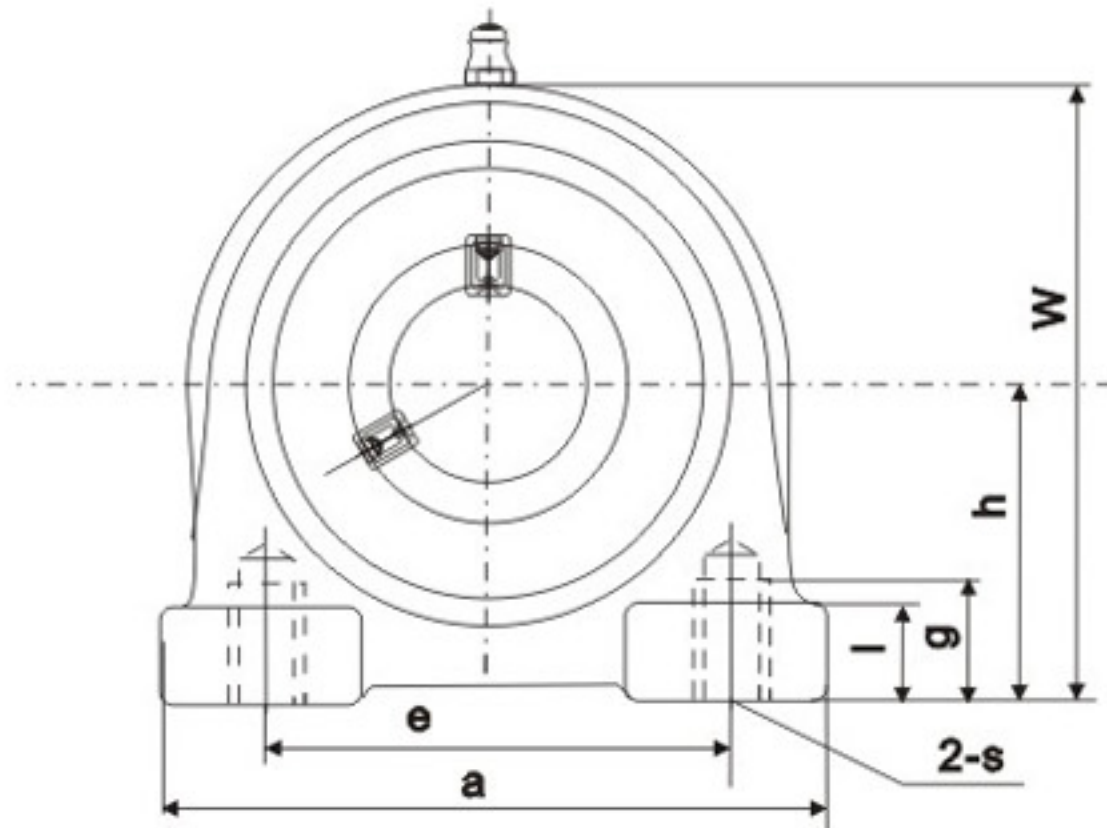




Bearing Units

Pillow Blocks

UCPA2 (normal-duty)



Unit No.	Dimensions mm											Bolt Size mm	Bearing No.1)	Housing No.	Weight (kg)
	d	h	a	e	b	s	g	l	w	B	n				
UCPA201	12	30.2	76	52	40	M10	15	11	62	31	12.7	M10	UC201	PA204	0.6
UCPA202	15	30.2	76	52	40	M10	15	11	62	31	12.7	M10	UC202	PA204	0.59
UCPA203	17	30.2	76	52	40	M10	15	11	62	31	12.7	M10	UC203	PA204	0.58
UCPA204	20	30.2	76	52	40	M10	15	11	62	31	12.7	M10	UC204	PA204	0.56
UCPA205	25	36.5	84	56	38	M10	15	12	72	34.1	14.3	M10	UC205	PA205	0.83
UCPA206	30	42.9	94	66	50	M14	18	12	84	38.1	15.9	M14	UC206	PA206	1.12
UCPA207	35	47.6	110	80	55	M14	20	13	95	42.9	17.5	M14	UC207	PA207	1.48
UCPA208	40	49.2	116	84	58	M14	20	13	100	49.2	19	M14	UC208	PA208	1.89
UCPA209	45	54.2	120	90	60	M14	25	13	108	49.2	19	M14	UC209	PA209	1.98
UCPA210	50	57.2	130	94	64	M16	25	14	116	51.6	19	M16	UC210	PA210	2.16
UCPA211	55	63.5	140	104	66	M16	25	14	125	55.6	22.2	M16	UC211	PA211	3.26
UCPA212	60	69.9	150	114	68	M16	25	15	138	65.1	25.4	M16	UC212	PA212	4.19
UCPA213	65	76.2	160	124	70	M16	25	15	150	65.1	25.4	M16	UC213	PA213	-

Note:

1. UC201–203 have the same outer dimension with UC204.
2. Insert bearings in this series could also choose bearings such as NA2..., SA2..., SB2..., UCX..., UK2..., and so on, with the same mounting dimensions as UCPA2. . . .
3. Items in Inch series are also produced, with the same mounting dimensions as in Metric series.