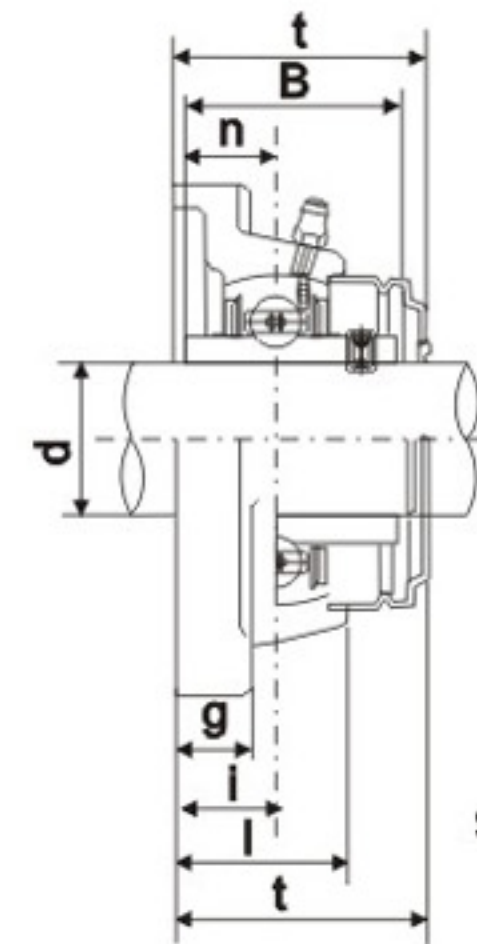
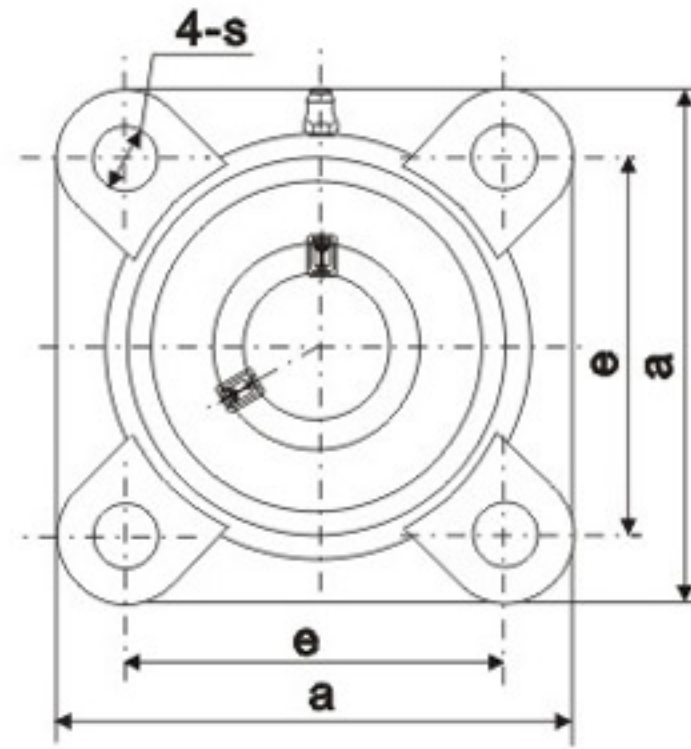
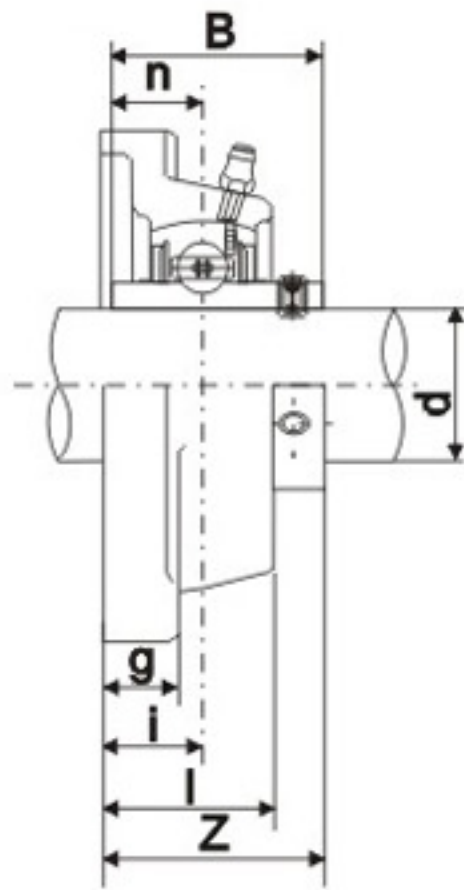


# Bearing Units



Flange Units(square)

UCF 2 (normal-duty)



S(SM)-UCF

Unit No.	Dimensions mm											Bolt Size mm	Bearing No.1)	Housing No.	Weight (kg)
	d	a	e	i	g	l	s	z	t	B	n				
UCF201	12	86	64	15	12	25.5	12	33.3	37.5	31	12.7	M10	UC201	F204	0.60
UCF202	15	86	64	15	12	25.5	12	33.3	37.5	31	12.7	M10	UC202	F204	0.59
UCF203	17	86	64	15	12	25.5	12	33.3	37.5	31	12.7	M10	UC203	F204	0.58
UCF204	20	86	64	15	12	25.5	12	33.3	37.5	31	12.7	M10	UC204	F204	0.56
UCF205	25	95	70	16	14	27	12	35.8	40	34.1	14.3	M10	UC205	F205	0.80
UCF206	30	108	83	18	14	31	12	40.2	44.5	38.1	15.9	M10	UC206	F206	1.12
UCF207	35	117	92	19	16	34	14	44.4	48.5	42.9	17.5	M12	UC207	F207	1.46
UCF208	40	130	102	21	16	36	16	51.2	55.5	49.2	19	M14	UC208	F208	1.84
UCF209	45	137	105	22	18	38	16	52.2	56.5	49.2	19	M14	UC209	F209	2.15
UCF210	50	143	111	22	18	40	16	54.6	59.5	51.6	19	M14	UC210	F210	2.42
UCF211	55	162	130	25	20	43	19	58.4	63	55.6	22.2	M16	UC211	F211	3.31
UCF212	60	175	143	29	20	48	19	68.7	73.5	65.1	25.4	M16	UC212	F212	4.28
UCF213	65	187	149	30	22	50	19	69.7	74.5	65.1	25.4	M16	UC213	F213	4.99
UCF214	70	193	152	31	22	54	19	75.4	81.5	74.6	30.2	M16	UC214	F214	5.85
UCF215	75	200	159	34	22	56	19	78.5	83.5	77.8	33.3	M16	UC215	F215	6.91
UCF216	80	208	165	34	22	58	23	83.3	88.5	82.6	33.3	M20	UC216	F216	7.50
UCF217	85	220	175	36	24	63	23	87.6	92.6	85.7	34.1	M20	UC217	F217	9.66
UCF218	90	235	187	40	24	68	23	96.3	101.5	96	39.7	M20	UC218	F218	12.06

Note:

1. UC201–203 have the same outer dimension with UC204.
2. Insert bearings in this series could also choose bearings such as NA2..., SA2..., SB2..., UCX..., and so on, with the same mounting dimensions as UCP2. . . .
3. Items in Inch series are also produced, with the same mounting dimensions as in Metric series.