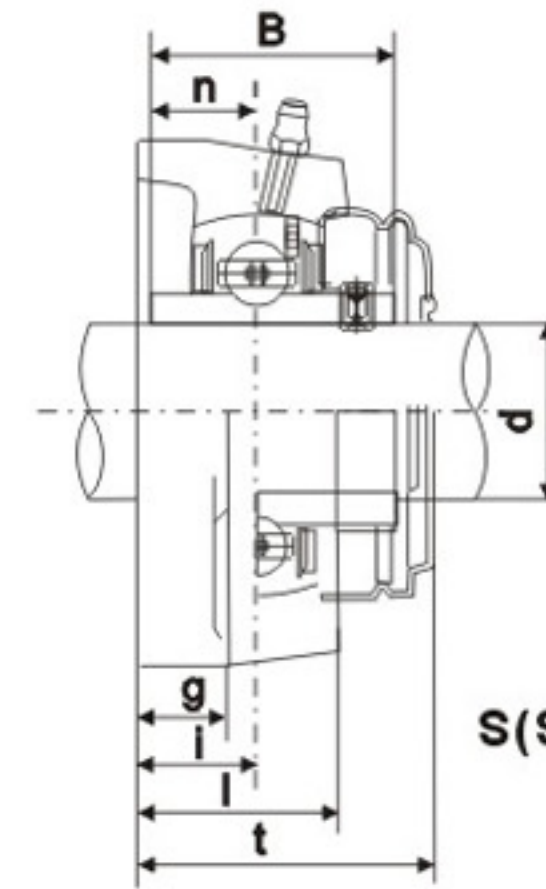
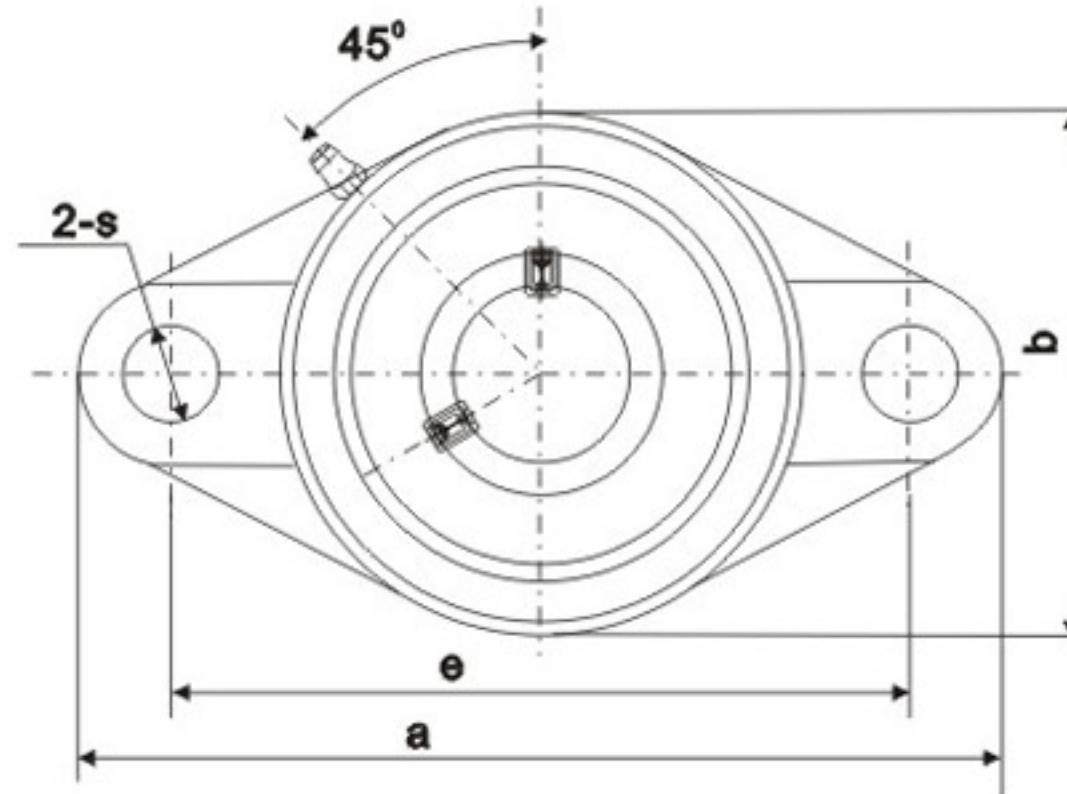
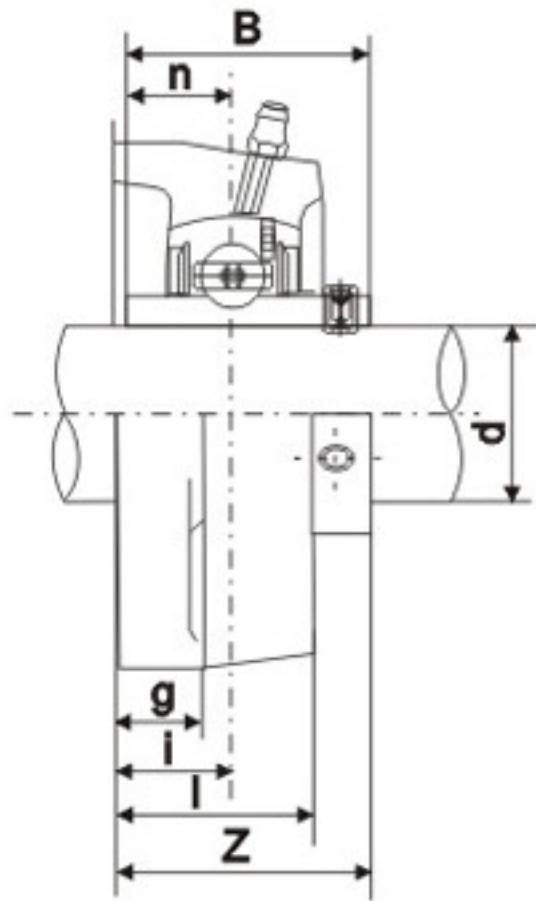




Bearing Units

Flange Units(oval)

UCFL2 (normal-duty)



S(SM)-UCFL

Unit No.	Dimensions mm												Bolt Size mm	Bearing No.1)	Housing NO.	Weight (kg)
	d	a	e	i	g	l	s	b	z	t	B	n				
UCFL201	12	113	90	15	11	25.5	12	60	33.3	37.5	31	12.7	M10	UC201	FL204	0.45
UCFL202	15	113	90	15	11	25.5	12	60	33.3	37.5	31	12.7	M10	UC202	FL204	0.44
UCFL203	17	113	90	15	11	25.5	12	60	33.3	37.5	31	12.7	M10	UC203	FL204	0.43
UCFL204	20	113	90	15	11	25.5	12	60	33.3	37.5	31	12.7	M10	UC204	FL204	0.41
UCFL205	25	130	99	16	13	27	16	68	35.8	40	34.1	14.3	M14	UC205	FL205	0.58
UCFL206	30	148	117	18	13	31	16	80	40.2	44.5	38.1	15.9	M14	UC206	FL206	0.86
UCFL207	35	161	130	19	14	34	16	90	44.4	48.5	42.9	17.5	M14	UC207	FL207	1.08
UCFL208	40	175	144	21	14	36	16	100	51.2	55.5	49.2	19	M14	UC208	FL208	1.44
UCFL209	45	188	148	22	15	38	19	108	52.2	56.5	49.2	19	M16	UC209	FL209	1.74
UCFL210	50	197	157	22	15	40	19	115	54.6	59.5	51.6	19	M16	UC210	FL210	2.10
UCFL211	55	224	184	25	18	43	19	130	58.4	63	55.6	22.2	M16	UC211	FL211	2.91
UCFL212	60	250	202	29	18	48	23	140	68.7	73.5	65.1	25.4	M20	UC212	FL212	3.74
UCFL213	65	258	210	30	22	50	23	155	69.7	74.5	65.1	25.4	M20	UC213	FL213	4.57
UCFL214	70	265	216	31	22	54	23	160	75.4	-	74.6	30.2	M20	UC214	FL214	5.11
UCFL215	75	275	225	34	22	56	23	165	78.5	-	77.8	33.3	M20	UC215	FL215	5.37
UCFL216	80	290	233	34	22	58	25	180	83.3	-	82.6	33.3	M22	UC216	FL216	7.20
UCFL217	85	305	248	36	24	63	25	190	87.6	-	85.7	34.1	M22	UC217	FL217	8.61
UCFL218	90	320	265	40	24	68	25	205	96.3	-	96	39.7	M22	UC218	FL218	10.51

Note:

1. UC201–203 have the same outer dimension with UC204.
2. Insert bearings in this series could also choose bearings such as NA2..., SA2..., SB2..., UCX..., and so on, with the same mounting diameters as UCFL2. . . .
3. Items in Inch series are also produced, with the same mounting dimensions as in Metric series.