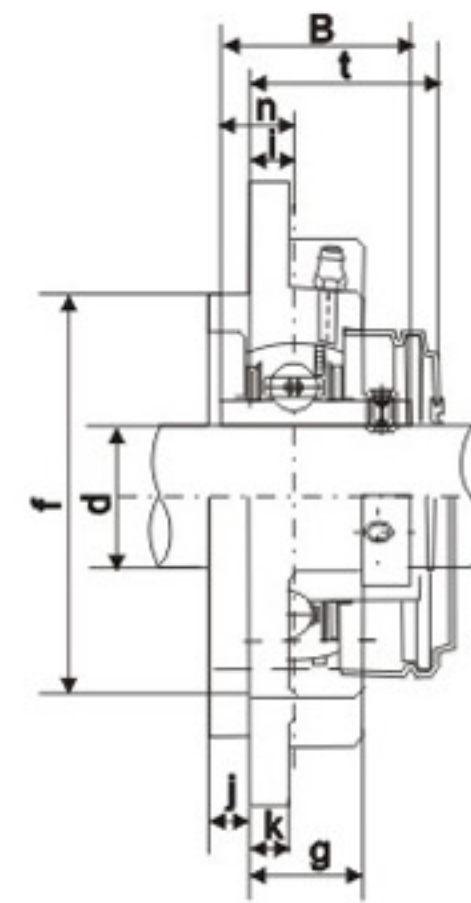
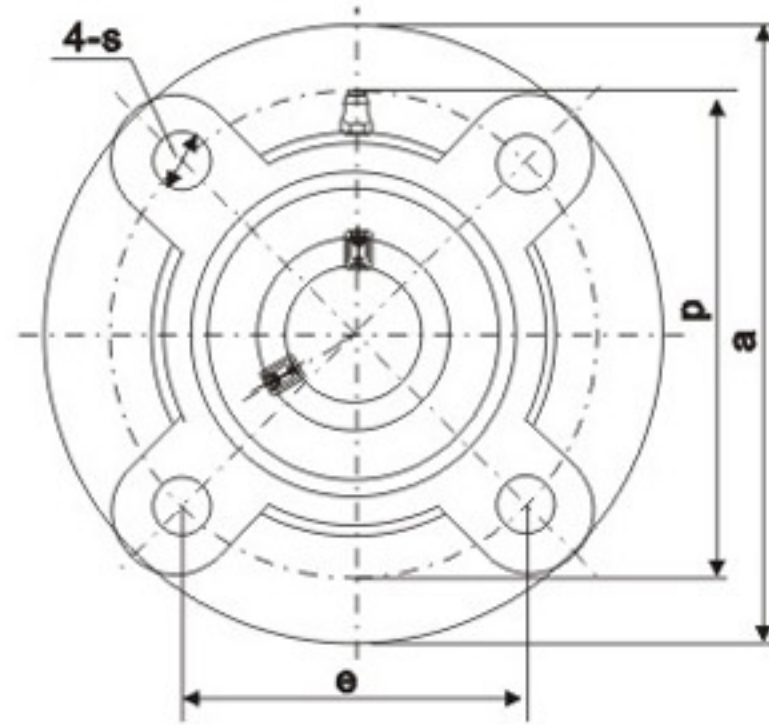
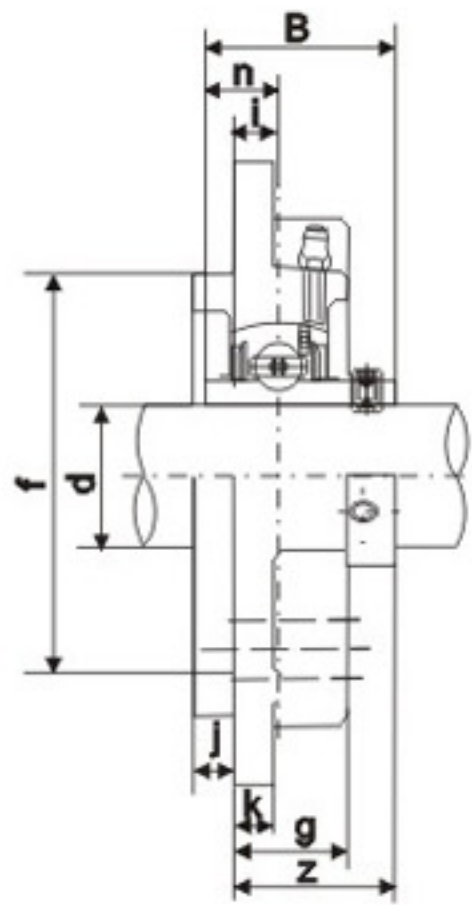




Bearing Units

Flange Cartridge Units

UCFC2 (normal-duty)



S(SM)-UCFC

Unit No.	Dimensions mm														Bolt Size mm	Bearing No.1)	Housing No.	Weight (kg)
	d	a	p	e	i	s	j	k	g	f	z	t	B	n				
UCFC201	12	100	78	55.1	10	12	5	7	20.5	62	28.3	32.5	31	12.7	M10	UC201	FC204	0.73
UCFC202	15	100	78	55.1	10	12	5	7	20.5	62	28.3	32.5	31	12.7	M10	UC202	FC204	0.72
UCFC203	17	100	78	55.1	10	12	5	7	20.5	62	28.3	32.5	31	12.7	M10	UC203	FC204	0.71
UCFC204	20	100	78	55.1	10	12	5	7	20.5	62	28.3	32.5	31	12.7	M10	UC204	FC204	0.69
UCFC205	25	115	90	63.6	10	12	6	7	21	70	29.8	34	34.1	14.3	M10	UC205	FC205	1.00
UCFC206	30	125	100	70.7	10	12	8	8	23	80	32.2	36.5	38.1	15.9	M10	UC206	FC206	1.30
UCFC207	35	135	110	77.8	11	14	8	9	26	90	36.4	41	42.9	17.5	M12	UC207	FC207	1.81
UCFC208	40	145	120	84.8	11	14	10	9	26	100	41.2	45.5	49.2	19	M12	UC208	FC208	2.14
UCFC209	45	160	132	93.3	10	16	12	14	26	105	40.2	44.5	49.2	19	M14	UC209	FC209	2.68
UCFC210	50	165	138	97.6	10	16	12	14	28	110	42.6	47.5	51.6	19	M14	UC210	FC210	2.90
UCFC211	55	185	150	106.1	13	19	12	15	31	125	46.4	51	55.6	22.2	M16	UC211	FC211	4.01
UCFC212	60	195	160	113.1	17	19	12	15	36	135	56.7	61.5	65.1	25.4	M16	UC212	FC212	4.94
UCFC213	65	205	170	120.2	16	19	14	15	36	145	55.7	60.5	65.1	25.4	M16	UC213	FC213	5.65
UCFC214	70	215	177	125.1	17	19	14	18	40	150	61.4	-	74.6	30.2	M16	UC214	FC214	6.95
UCFC215	75	220	184	130.1	18	19	16	18	40	160	62.5	-	77.8	33.3	M16	UC215	FC215	7.56
UCFC216	80	240	200	141.4	18	23	16	18	42	170	67.3	-	82.6	33.3	M20	UC216	FC216	9.15
UCFC217	85	250	208	147.1	18	23	18	20	45	180	69.6	-	85.7	34.1	M20	UC217	FC217	10.81
UCFC218	90	265	220	155.5	22	23	18	20	50	190	78.3	-	96	39.7	M20	UC218	FC218	12.96

Note:

1. UC201-203 have the same outer dimension with UC204.
2. Insert bearings in this series could also choose bearings such as NA2..., SA2..., SB2..., UCX..., and so on, with the same mounting dimensions as UCFC2. . . .
3. Items in Inch series are also produced, with the same mounting dimensions as in Metric series.